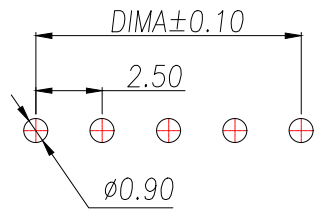
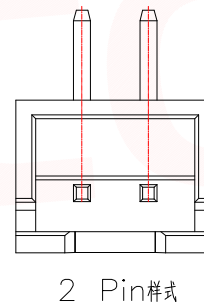
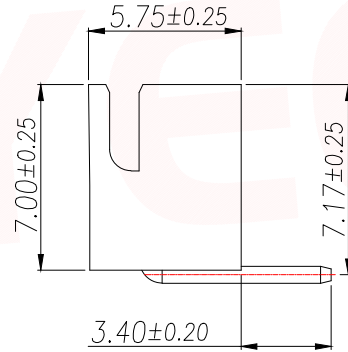
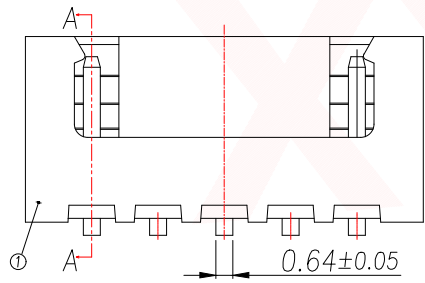
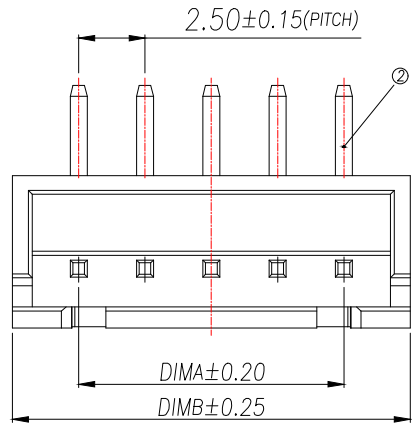


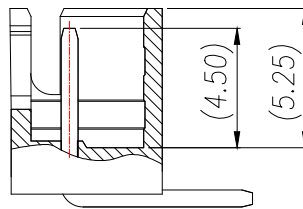
REV.	Q'TY	ECN. NO.	APR.	DATE

Technical Index:

1. Temperature range: $-25^{\circ}\text{C}\sim 85^{\circ}\text{C}$.
2. Rated voltage: 250V DC/AC(rms).
3. Rated current: 3.0A.
4. Contact resistance: $\leq 20\text{m}\Omega$.
5. Withstanding voltage: 1000V AC/minute.
6. Insulation resistance: $\geq 1000\text{M}\Omega$.



通用线路板(PCB LAYOUT)



SECTION A-A

Part No	Pin	A	B
XY-XH2.54-2A21-YT	2	2.5	7.5
XY-XH2.54-3A21-YT	3	5.0	10.0
XY-XH2.54-4A21-YT	4	7.5	12.5
XY-XH2.54-5A21-YT	5	10.0	15.0
XY-XH2.54-6A21-YT	6	12.5	17.5
XY-XH2.54-7A21-YT	7	15.0	20.0
XY-XH2.54-8A21-YT	8	17.5	22.5
XY-XH2.54-9A21-YT	9	20.0	25.0
XY-XH2.54-10A21-YT	10	22.5	27.5
XY-XH2.54-11A21-YT	11	25.0	30.0
XY-XH2.54-12A21-YT	12	27.5	32.5
XY-XH2.54-13A21-YT	13	30.0	35.0
XY-XH2.54-14A21-YT	14	32.5	37.5
XY-XH2.54-15A21-YT	15	35.0	40.0
XY-XH2.54-16A21-YT	16	37.5	42.5

序号	品名	材质
1	基座Wafer	PA66 UL94V-2 黄色
2	端子Contact	铜合金/镀锡

DIMENSION IN mm		厦门市辛译精密电子有限公司 Xiamen XinYi Xyecomm Electronics Co.,Ltd			
TOLERANCE UNLESS OTHERWISE SPECIFIED					
.X \pm 0.35	X.* \pm 5*	APR.	Alex	TITLE: WAFER 2.54 90° DIP 黄色	
.XX \pm 0.25	.X.* \pm 3*	CHK.	Jack	DWG NO. XY-XH2.54-NA21-YT	
.XXX \pm 0.15	.XX.* \pm 1*	DRA.	Can	PROJ. CUSTOMER DRAWING	
		SIZE	A4	SCALE	1:1
		SHEET	1/1	REV.	A