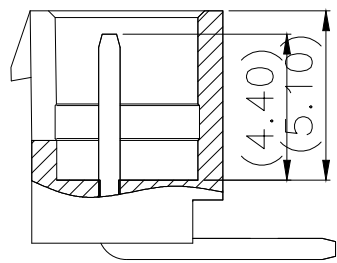
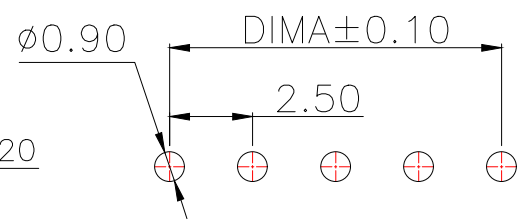
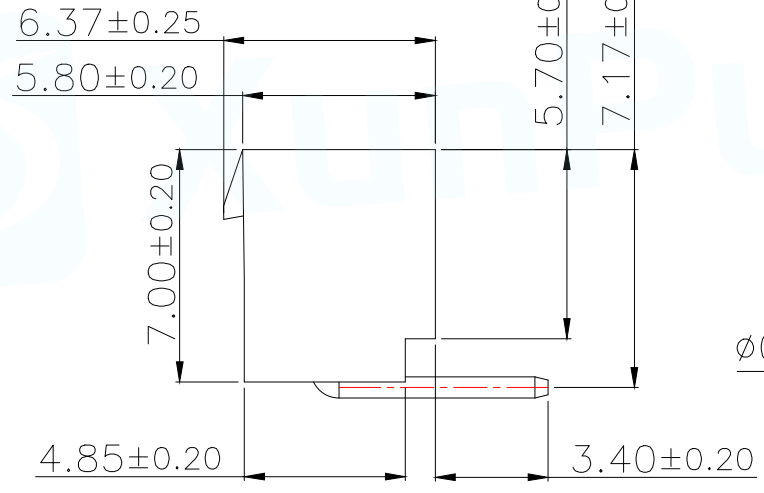
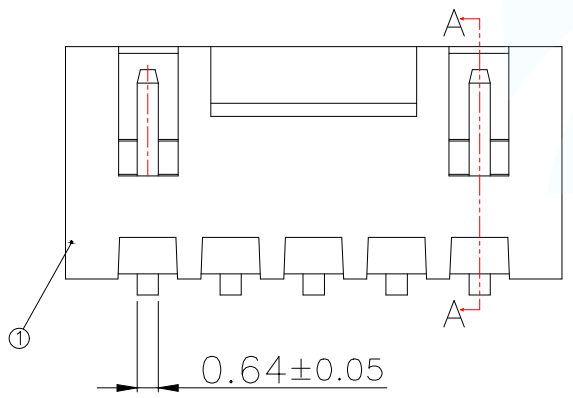


2~4P



SECTION A-A

Part No	Pin	A	B
WAFER-HA2.54-2PWZ-H62	2	2.5	7.5
WAFER-HA2.54-3PWZ-H62	3	5.0	10.0
WAFER-HA2.54-4PWZ-H62	4	7.5	12.5
WAFER-HA2.54-5PWZ-H62	5	10.0	15.0
WAFER-HA2.54-6PWZ-H62	6	12.5	17.5
WAFER-HA2.54-7PWZ-H62	7	15.0	20.0
WAFER-HA2.54-8PWZ-H62	8	17.5	22.5
WAFER-HA2.54-9PWZ-H62	9	20.0	25.0
WAFER-HA2.54-10PWZ-H62	10	22.5	27.5
WAFER-HA2.54-11PWZ-H62	11	25.0	30.0
WAFER-HA2.54-12PWZ-H62	12	27.5	32.5
WAFER-HA2.54-13PWZ-H62	13	30.0	35.0
WAFER-HA2.54-14PWZ-H62	14	32.5	37.5
WAFER-HA2.54-15PWZ-H62	15	35.0	40.0
WAFER-HA2.54-16PWZ-H62	16	37.5	42.5
WAFER-HA2.54-17PWZ-H62	17	40.0	45.0



适用线路板(PCB LAYOUT)

Technical Index:
 1. Temperature range: -25°C~85°C.
 2. Rated voltage: 250V DC/AC(rms).
 3. Rated current: 3.0A.
 4. Contact resistance: ≤20mΩ.
 5. Withstanding voltage: 1000V AC/minute.
 6. Insulation resistance: ≥1000MΩ.

序号	品名	材质
1	XH2.5 胶芯	PA66 UL94V-2 Yellow
2	XH2.5 弯针 端子	Copper Alloy/ Tin Plating

MANUFACTURE DWG			东莞市讯普电子科技有限公司 DongGuan XunPu Electronics Co.,Ltd	
UNLESS OTHERWISE SPECIFIED TOLERANCES			TITLE: HA2.5 弯针带扣	
DECIMALS:	ANGLES:		PAR	WAFER-HA2.54-NPWZ-H62
X.:±0.50	X'::±5°		DWN	
.X:±0.20	X.X'::±3°		CHKD	
.XX:±0.10	X.XX'::±1°		APVD	
		CUSTOMER COPY	SCALE:1:1	UNIT:MM
			SIZE:A4	SHEET:1F1
				REV:A