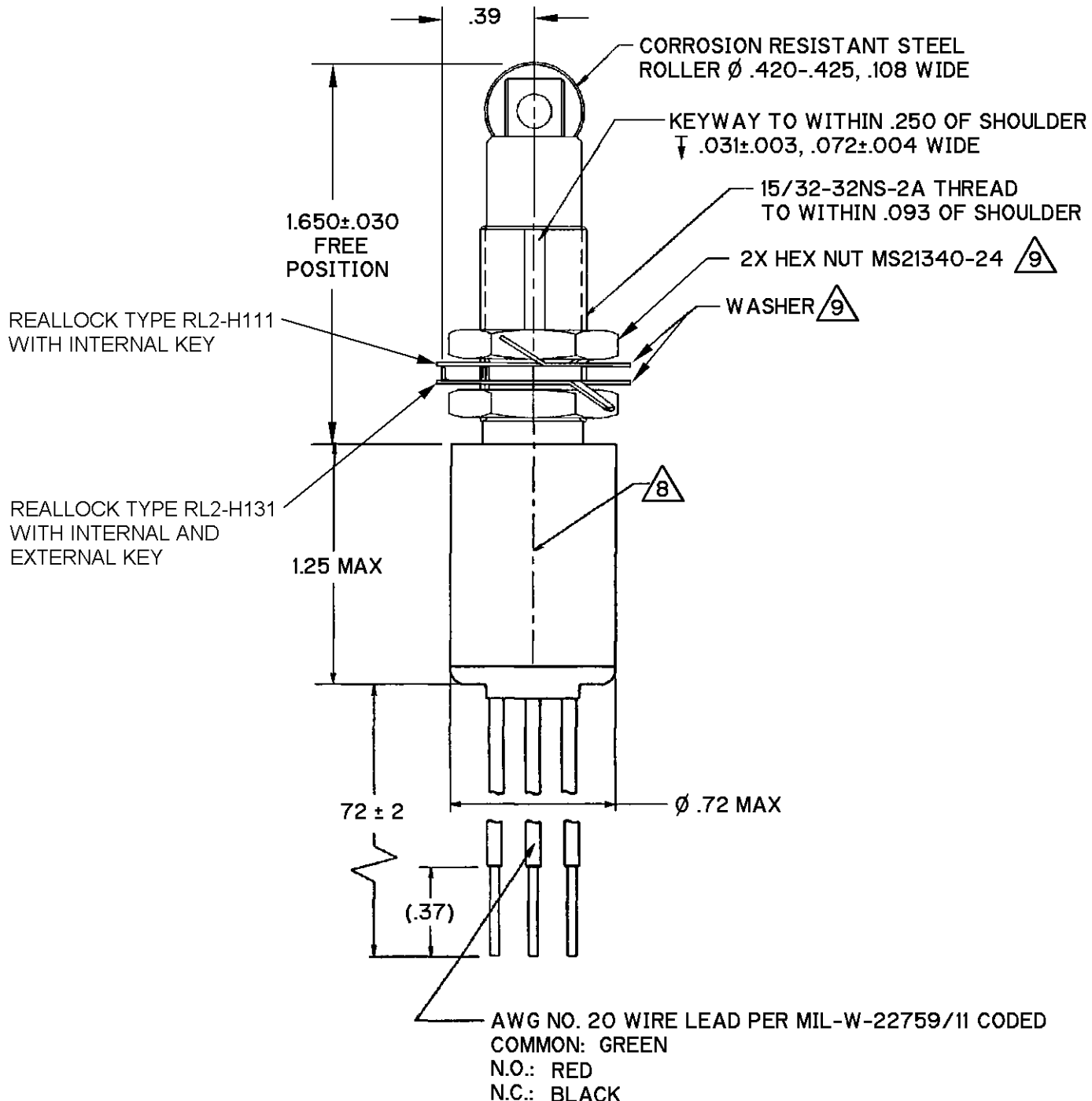


CATALOG LISTING
HS-1066
PAGE 1 OF 1
ISSUE **5**

REVISIONS
A 201635
1 NOV 00
B 202887
25 APR 01
C 205745
7 JUN 02
D 0035333
26 NOV 07

REPLACES
RELEASE NO. 201635

CHECK
26 NOV 07
ASD
S A V
6 JUL 00
6 JUL 00
6 JUL 00
C S L
6 JUL 00



- NOTES**
- 1 - THE SWITCH WILL SELF ADJUST TO THE PROPER RELATIONSHIP WITH THE ACTUATOR UPON COMPLETION OF THE FIRST CYCLE. THIS RELATIONSHIP WILL REMAIN CONSTANT UNTIL THE ACTUATOR HAS A GROSS CHANGE IN DISPLACEMENT. THE SWITCH MAY BE REINSTALLED TO THE NEW OR OLD ACTUATOR DISPLACEMENT AND ONCE AGAIN IT WILL SELF ADJUST TO THE PROPER RELATIONSHIP
 - 2 - CORROSION RESISTANT STEEL ENCLOSURE, BUSHING AND PLUNGER
 - 3 - SWITCH SEALED PER MIL-PRF-8805 SYMBOL 4
 - 4 - SHOCK PER MIL-PRF-8805 SYMBOL M
 - 5 - VIBRATION PER MIL-PRF-8805 GRADE 1
 - 6 - MINIMUM MECHANICAL LIFE: 50,000 CYCLES
 - 7 - MINIMUM ELECTRICAL LIFE: 25,000 CYCLES AT RATED LOAD
 - $\triangle 8$ - CIRCUIT DIAGRAM, FED. MFG. CODE, CATALOG LISTING, DATE CODE AND CUSTOMER PART NO. N531-12395 PRINTED ON NAMEPLATE
 - $\triangle 9$ - HARDWARE MAY BE PACKAGED UNASSEMBLED PER MIL-PRF-8805
 - 10 - INITIAL OPERATION OF THE SWITCH WILL OCCUR WITHIN THE PRETRAVEL SPECIFICATION AND RELEASE PER THE CLICK DISTANCE SPECIFICATION. CLICK DISTANCE IS THE DISTANCE THE PLUNGER RETURNS FROM THE DOWNWARD STROKE TO THE POINT OF CIRCUIT TRANSFER
 - 11 - INSTALLATION OF THE SWITCH SHOULD DEPRESS THE PLUNGER A MINIMUM OF THE SUM OF THE PRETRAVEL AND THE CLICK DISTANCE. IF THE PLUNGER TRAVEL IS LESS THAN THIS SUM, THE CLICK DISTANCE WILL BE EQUAL TO THE PLUNGER TRAVEL MINUS THE PRETRAVEL MINUS APPROXIMATELY .010 INCHES

THIS DRAWING COVERS A PROPRIETARY ITEM AND IS THE PROPERTY OF MICRO SWITCH, A DIVISION OF HONEYWELL. THIS DRAWING IS NOT TO BE COPIED OR USED WITHOUT THE APPROVAL OF MICRO SWITCH

THIRD ANGLE PROJECTION

| | | | |
|------------------------|------------------------------------|-----------|--|
| CHARACTERISTICS | ELECTRICAL DATA | | SCALE NONE |
| | CONTACT ARRANGEMENT SPDT | | DO NOT SCALE PRINT |
| PRETRAVEL----- | 28 VDC | | UNLESS OTHERWISE SPECIFIED TOLERANCES ARE ONE PLACE (.0) \pm .030 TWO PLACE (.00) \pm .015 THREE PLACE (.000) \pm .005 ANGLES \pm 4° WEIGHT |
| OPERATING FORCE----- | LOAD (AMPS) | SEA LEVEL | |
| TOTAL TRAVEL----- | RES | 50,000 FT | |
| CLICK DISTANCE----- | IND | | |
| RELEASE FORCE----- | | | |
| ACTUATOR FORCE----- | | | |

