



Extract from the online catalog

SACB-4/ 8-M23

Order No.: 1692802

The illustration shows a version with 8 slots



<http://eshop.phoenixcontact.de/phoenix/treeViewClick.do?UID=1692802>

Sensor/actuator box, without LED, with M23 plug connection and double-occupied slots

Commercial data	
EAN	4017918177935
Pack	1 pcs.
Customs tariff	85366990
Weight/Piece	0.1014 KG
Catalog page information	Page 114 (PC-2009)

Product notes

WEEE/RoHS-compliant since:
12/05/2006



<http://www.download.phoenixcontact.com>
Please note that the data given here has been taken from the online catalog. For comprehensive information and data, please refer to the user documentation. The General Terms and Conditions of Use apply to Internet downloads.

Technical data

General data	
Nominal voltage U_N	120 V
Max. operating voltage U_{max}	135 V
Max. current carrying capacity per path	2 A
Current carrying capacity per slot	4 A
SACB total current	12 A

SACB-4/ 8-M23 Order No.: 1692802
http://eshop.phoenixcontact.de/phoenix/treeViewClick.do?UID=1692802

Number of positions	5
Number of slots	4
Degree of protection	IP65/IP67
Inflammability class acc. to UL 94	V0
Ambient temperature (operation)	-20 °C ... 75 °C
Sensor/actuator connection system	M12 female connector

Master cable data

Type of connection	M23 plug connection
Tightening torque slot sensor/actuator cable	0.4 Nm
Tightening torque screw plug	0.4 Nm

Insulation material

Housing material	PA
Contact material	CuSn
Contact surface material	Ni/Au
Contact carrier material	PA
Material of contact, master cable side	CU alloy
Material of contact surface, master cable side	Gold-plated
Material of the contact carrier on the master cable side	PA
Material of threaded sleeve	Zinc die-cast
Material, O-ring	NBR

Pin assignment

Slot/position = Wire color or connection	1 / 4 (A) = 15
	1 / 2 (B) = 7
	2 / 4 (A) = 5
	2 / 2 (B) = 4
	3 / 4 (A) = 16
	3 / 2 (B) = 8
	4 / 4 (A) = 3
	4 / 2 (B) = 14
	1-4 / 1 (+ 120 V) = 19
	1-4 / 3 (0 V) = 6
	1-4 / 5 (PE) = 12

SACB-4/ 8-M23 Order No.: 1692802
http://eshop.phoenixcontact.de/phoenix/treeViewClick.do?UID=1692802

Certificates / Approvals



Certification CUL, GOST, UL

CUL

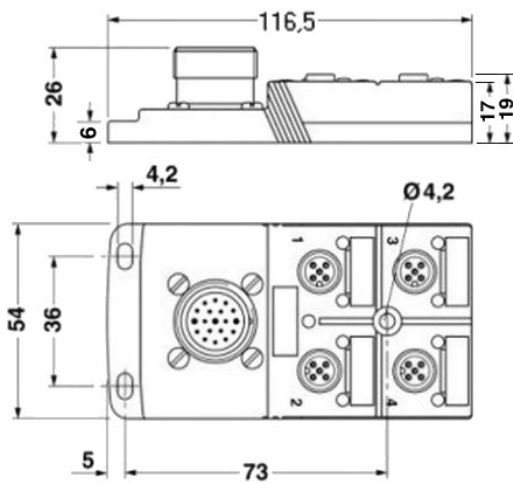
Nominal voltage U_N	120 V
AWG/kcmil	22-16

UL

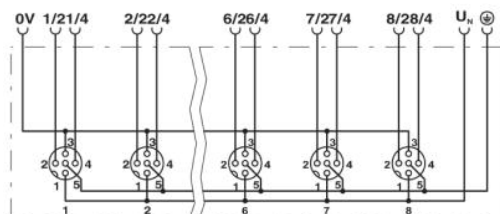
Nominal voltage U_N	120 V
AWG/kcmil	22-16

Drawings

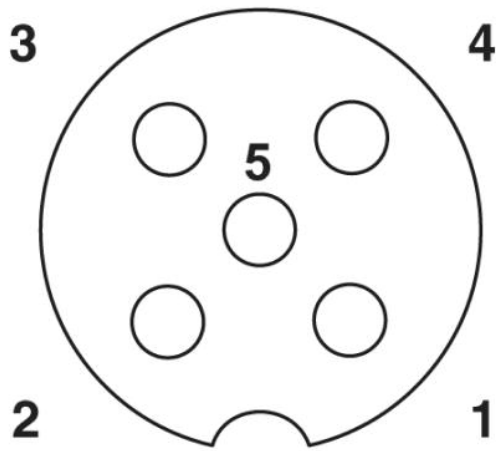
Dimensioned drawing



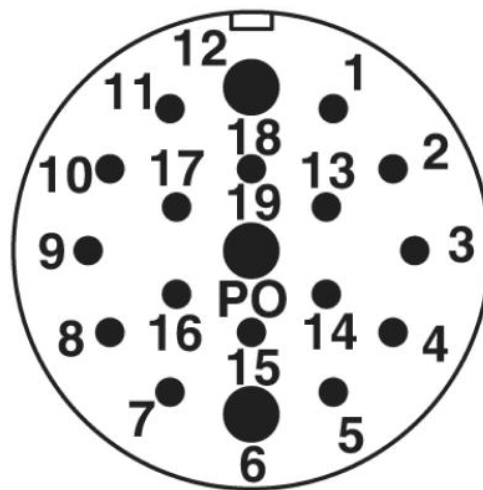
Circuit diagram



Schematic diagram



M12 slot, socket, 5-pos.



M23 plug connection pin, 19-pos.

onlinecomponents.com

SACB-4/ 8-M23 Order No.: 1692802
<http://eshop.phoenixcontact.de/phoenix/treeViewClick.do?UID=1692802>

Address

PHOENIX CONTACT GmbH & Co. KG
Flachsmarktstr. 8
32825 Blomberg, Germany
Phone +49 5235 3 00
Fax +49 5235 3 41200
<http://www.phoenixcontact.de>



© 2009 Phoenix Contact
Technical modifications reserved;

onlinecomponents.com