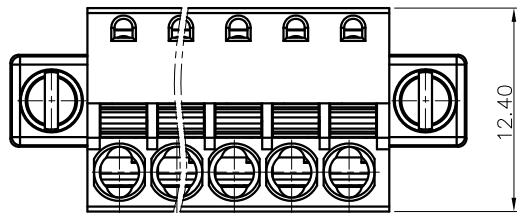


REVISION RECORD				
REV	ECN	DESCRIPTION	DRFT	DATE



Material :

- (a) Housing : PA66(UL94V-0)
- (b) Button : POM
- (c) Spring : Stainless Steel
- (d) Clamp : Phosphor Bornze
- (e) Cover : PA66(UL94V-0)

NOTES1:

UL Standard

- 1. Rated Voltage/Current : 300V / 8A
- 2. Withstanding Voltage : AC1600V/1Min.
- 3. Wire Range : 28~16AWG

IEC Standard

1. Pollution Degree	3
Overvoltage Category	II
Rate Impulse Voltage(KV)	2.5KV
Rate Voltage(V)	250V
Rate Current(A)	12A

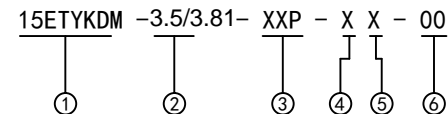
2. Wire Range : 0.2~1.5mm²

NOTES2:

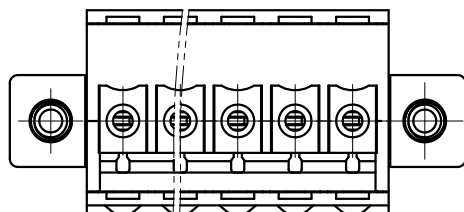
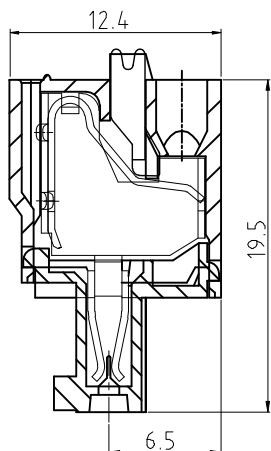
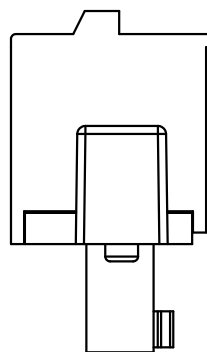
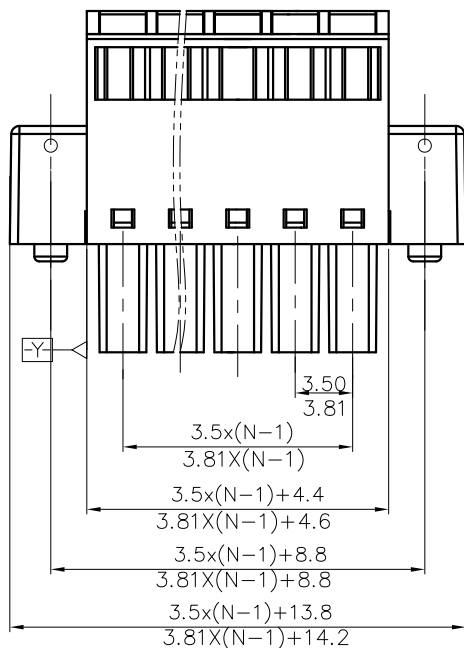
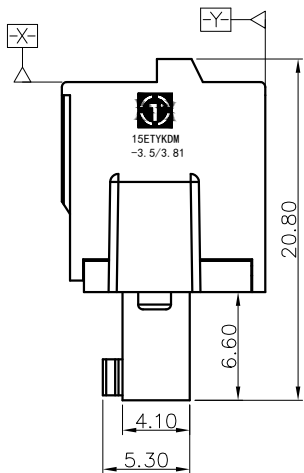
- 1. Dimension shall be interpreted per ASME Y14.5-2009
- 2. Pitch : 3.50/3.81mm, Poles : N=2-20P
- 3. Stripping length : 9mm
- 4. Operating temperature: -40°C~+105°C
- 5. Undimensioned Tolerances:

Pitch range in mm		Nominal dimension range in mm				Tolerances	
TO	Over	TO	Over	TO	Over	TO	Over
6	10	30	60	100	150	0.1	10
±0.15	±0.20	±0.30	±0.50	±0.70	±1.00	±1.30	±2'

6. RoHS Compliance



- ① Series No.
- ② Pitch
- ③ Poles
02 02Contacts
03 03Contacts
...
24 24Contacts
- ④ 1 Single Pitch
2 Double Pitch
- ⑤ Color: 1 Grey
2 Blue
3 Black
4 Green(Standard For AH)
5 Orange
6 Red
7 Transparent
8 Yellow
9 White
- ⑥ Customer Request :
00--Standard



DETACHED LISTS	PART NO.: NICK/11/08/18'	拓宜(上海)工控电器设备有限公司 Topone(Shanghai) Industrial Control Electrical Equipment Co., LTD.		
	APPD: /	NAME: 15ETYKDM-3.5/3.81-XXP-XX-00		
	CHKD: /	TITLE: CUSTOMER DRAWING	REV	D0
	DRFT: /	DRAWING NO.: /	SHEET	1/1
THIRD ANGLE PROJECTION		DRAWING NO.: / MM (INCH)	DO NOT SCALE DRAWING	SCALE: 1:1