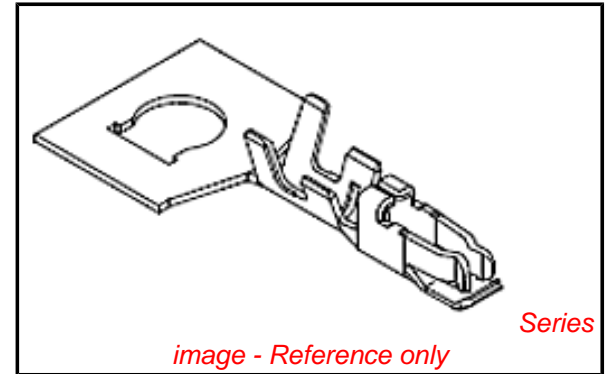


PLEASE CHECK WWW.MOLEX.COM FOR LATEST PART INFORMATION

Part Number: [504185-1000](#)
Status: **Active**
Description: Micro-Lock™ 1.25mm Pitch Crimp Terminal, 26-30 AWG, Reel

Documents:

Drawing (PDF)	Application Specification AS-504193-001 (PDF)
Product Specification PS-504186-001 (PDF)	Application Specification AS-504193-002 (PDF)
Product Specification PS-504193-001 (PDF)	Packaging Specification SPK-504185-001 (PDF)
Application Specification AS-504186-001 (PDF)	RoHS Certificate of Compliance (PDF)
Application Specification AS-504186-002 (PDF)	



General

Product Family	Crimp Terminals
Series	504185
Application	Signal
Crimp Quality Equipment	Yes
Product Name	Micro-Lock™
UPC	887191055947

Physical

Durability (mating cycles max)	30
Gender	Female
Material - Metal	Copper Alloy
Material - Plating Mating	Tin
Net Weight	15.187/mg
Packaging Type	Reel
Wire Insulation Diameter	n/a
Wire Size AWG	26, 28, 30
Wire Size mm²	0.079 - 0.136

Electrical

Current - Maximum per Contact	1.5A
Voltage - Maximum	50V

Material Info

Reference - Drawing Numbers

Application Specification	AS-504186-001, AS-504186-002, AS-504193-001, AS-504193-002
Application Tooling Documents	ATS-57427-0000
Crimp Specification	CS-504185-001
Packaging Specification	SPK-504185-001
Product Specification	PS-504186-001, PS-504193-001, RPS-504186-001, RPS-504186-002, RPS-504193-001, RPS-504193-002, RPS-504193-003
Sales Drawing	SD-504185-001

<p>EU RoHS ELV and RoHS Compliant REACH SVHC Contains SVHC: No Low-Halogen Status Low-Halogen</p>	<p>China RoHS</p>
--	--------------------------

Need more information on product environmental compliance?

Email productcompliance@molex.com
 For a multiple part number RoHS Certificate of Compliance, [click here](#)

Please visit the [Contact Us](#) section for any non-product compliance questions.

Search Parts in this Series
[504185Series](#)