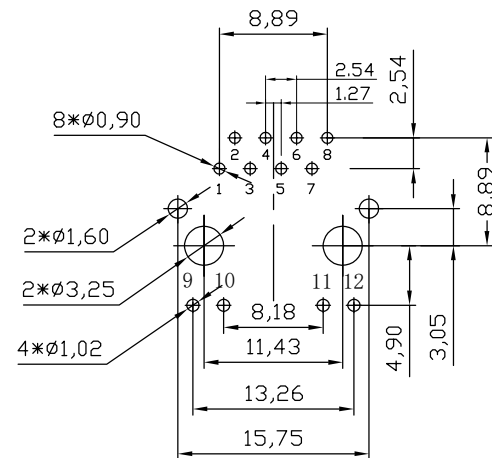
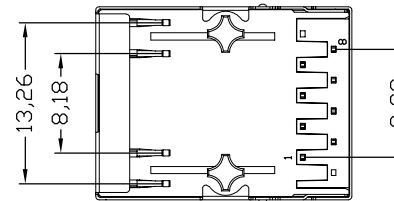
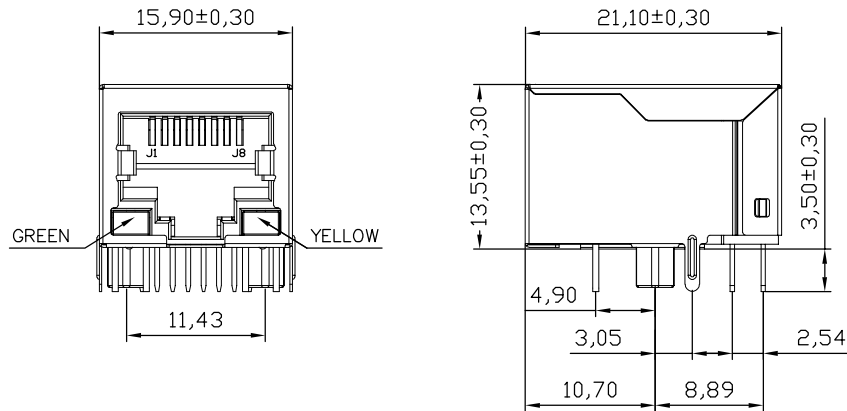


RoHS&REACH

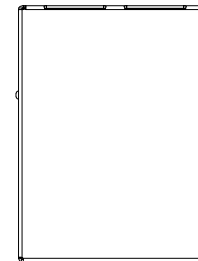
ECN NO.	DESCRIPTION	DATE
A-1	NEW	2023.11.6



RECOMMENDED P.C.B LAYOUT(PCB THICKNESS: 1.6mm)
COMPONENT SIDE VIEW(TOLERANCE: ±0.05mm)

Connect Material:

- 1.Housing: Thermoplastic, PBT,UL94V-0, Color: Black;
- 2.Insert: Thermoplastic, PBT,UL 94V-0, Color: Black;
- 3.Shield: Brass T=0.2mm, 20u" Min Nickel Overall Plated;
- 4.Input Terminal: Brass T=0.35mm, 40u" Min Ni UnderPlated Overall,80u" Min Tin On Solder Area;
- 5.RJ45 Terminal: Phosphor Bronze T=0.35mm, 40u" Min Ni UnderPlated Overall, 80u" Min Tin On Solder Area; Selective 6u" Gold Plated On Contact Area;



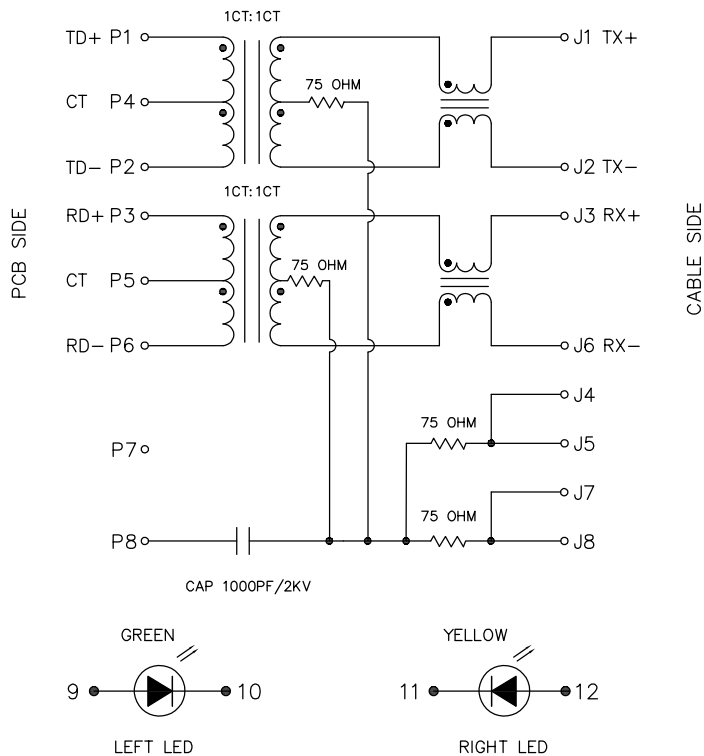
59T1 - X X X X X X X X X X

Ports	Base	Tab	Led Style	Shield	POE	GND	Plastic	Gold Plating
1-1x1 Ports	1-10 Base	1-Tab Up	0-W/O Led	0-w/O Shield	0-w/O POE	1-N	1-PBT	1-Fu"
2-1x2 Ports	2-100 Base	2-Tab Down	1-Y/G	1-Shield w/EMI	1-POE 350mA	2-Shield	2-PA46	2-1u"
3-1x3 Ports	3-1000 Base		2-G/Y	2-Shield w/O EMI	2-POE+ 720MA		3-Other	3-3u"
4-1x4 Ports	4-2.56 Base		3-R/G		2-POE+ + 840MA			4-6u"
5-1X5 Ports	5-56 Base		4-G/R					5-Other
6-1x6 Ports	6-106 Base		5-Y/Y					
7-1x7 Ports			6-G/G					
8-1x8 Ports			7-Other					

未注公差	设计	X.C.S	比例	1: 1
尺寸标注	公差	审核	单位	mm
X	±0.35 ±2.0°	Z.J.G	图幅	A4
X	±0.30 ±1.5°	批准	版本	A-1
XX	±0.25 ±1.0°	批注	图数	第1页 共2页
XXX	±0.10 ±0.5°	角法		

H® 恒连电子科技有限公司
EVERCOM ELECTRONIC TECHNOLOGY CO.,LTD
<http://www.chinarj45.com>

产品型号 59T1 1X1 TAB-DOWN 100Base 屏蔽无弹带灯
产品编号 59T1-1222208XX 图纸编号



ELECTRICAL SPECIFICATIONS@25°C UNLESS OTHERWISE NOTED:

1. Turn Ratio(+/-5%): 1CT:1CT
2. Inductance OCL: 350uH Min @100KHz/0.1V/ 8mA DC Bias
3. Insertion Loss:
 - 1.0dB Max 1-100MHz
4. Return Loss:
 - 18dB Min 1-30MHz
 - 15dB Min 30-60MHz
 - 12dB Min 60-80MHz
 - 10dB Min 80-100MHz
5. Cross talk:
 - 30dB Min 1-100MHz
6. Common Mode Rejection:
 - 30dB Min 1-100MHz
7. Hipot Test: (pcb side to cable side)
 - 2250VDC 3S 1mA Max
8. Operating Temperature Range: -40°C ~ +85°C
9. Storage Temperature Range: -40°C ~ +85°C
10. The Part Is Recommended For Wave Soldering Process .
11. RJ45 Meets IEEE 802.3 Standards.
12. RJ45 Cavities Conform To FCC Rules And Regulation Part 68 Subpart F.
13. LED Specification:

Emitting Color	λd (nm)typ	Vf@If=20mA	Irg@Vr =5V
GREEN	565nm	1.8-2.4V	10uA Max
YELLOW	585nm	1.8-2.4V	10uA Max

未注公差	设计	X.C.S	比例	1: 1
尺寸标注	公差	审核	单位	mm
X	±0.35 ±2.0°	批准	图幅	A4
X	±0.30 ±1.5°	批注	版本	A-1
XX	±0.25 ±1.0°	角法	图数	第2页 共2页
XXX	±0.10 ±0.5°			

H® 恒连电子科技有限公司
EVERCOM ELECTRONIC TECHNOLOGY CO.,LTD

http://www.chinarj45.com
产品型号 59T1 1X1 TAB-DOWN 100Base 屏蔽无弹带灯
产品编号 59T1-1222208XX 图纸编号