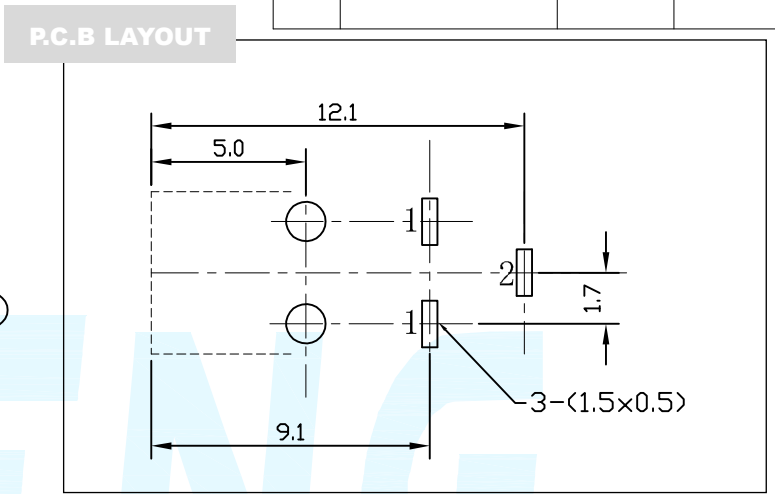
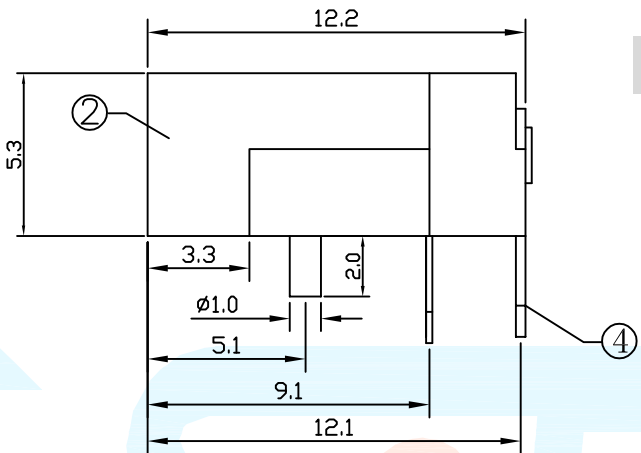
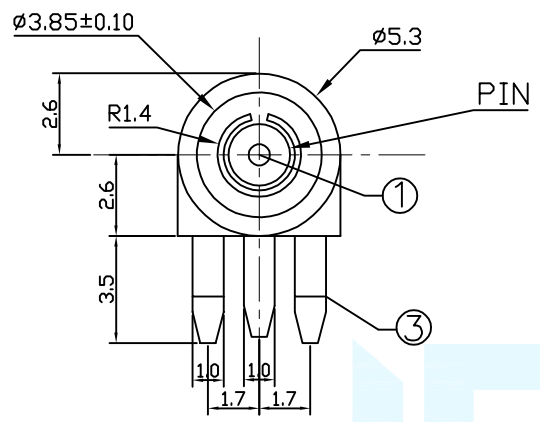
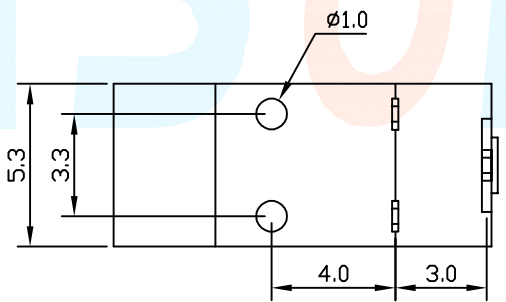
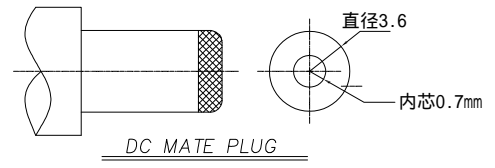


REVISION			
LTR	DESCRIPTION	DATE	APP
A0	NEW RELEASE	05/20/2020	PECK



DIM	φ0.7		1
APPD.			3



DC - 002E - 07
内芯直径
产品型号

Material declaration		
No.	NAME	Description
① A	内芯针	H62 黄铜 [镀锡 50u" min]
② B	基座	PPA 热塑性塑胶 [黑色]
③ C	动态端子	不锈钢 SUS-304 [t=0.25 镀银]
④ D	静态端子	磷铜 C2680/SPCC [镀锡 50u" min]
⑤ E	连接片	磷铜 C2680/SPCC [镀锡 50u" min]

PROJECT	LEVEL	A [better product]	B [average product]
	Electrical Properties	Contact Rating	1A, 24V DC
	Initial Contact Resistance	50mΩ max.	
	Insulation Resistance	100MΩ min. 500V DC	Skey/PD: 100MΩ min. 300V DC
	Withstand Voltage	500V AC for 1 minute	350 V AC for 1 minute
Durable Performance	There No Load	6,000 Cycles	5,000 Cycles
	Rated Load	5,000 Cycles	4,000 Cycles
Storage temp.		-35°C ~ +75°C (Operating Temp:)	
Operating Force		IF: 35N MAX. (EF: 10.0N MIN.)	
Heat Rrsistance		IR Reflow: 235°C, 5sec. Manual: 350°C, 3sec.	

DIMENSION CLASSIFICATION
 ■ : CRITICAL
 ☒ : MAJOR

台灣碩方精密電子科技有限公司
 TAIWAN SOFNG PRECISION ELECTRONIC CO., LTD

TITLE: DC-002E 卧插小型电源插座-内芯0.7mm带定位
 開關, 連接器
SOFNG

TOLERANCE TABLE		PART NO.	DC-002E		SERIES	SD106
.X	± 0.40	APPROVED	Peck	DWG NO.	SOF-G006	
.XX	± 0.25	CHECKED	Paul	SCALE	1:1	UNIT mm SIZE A4
.XXX	± 0.10	DRAWIN	David	REV	AO	SHEET NO. 1/1
ANGLE	± 2°					

