

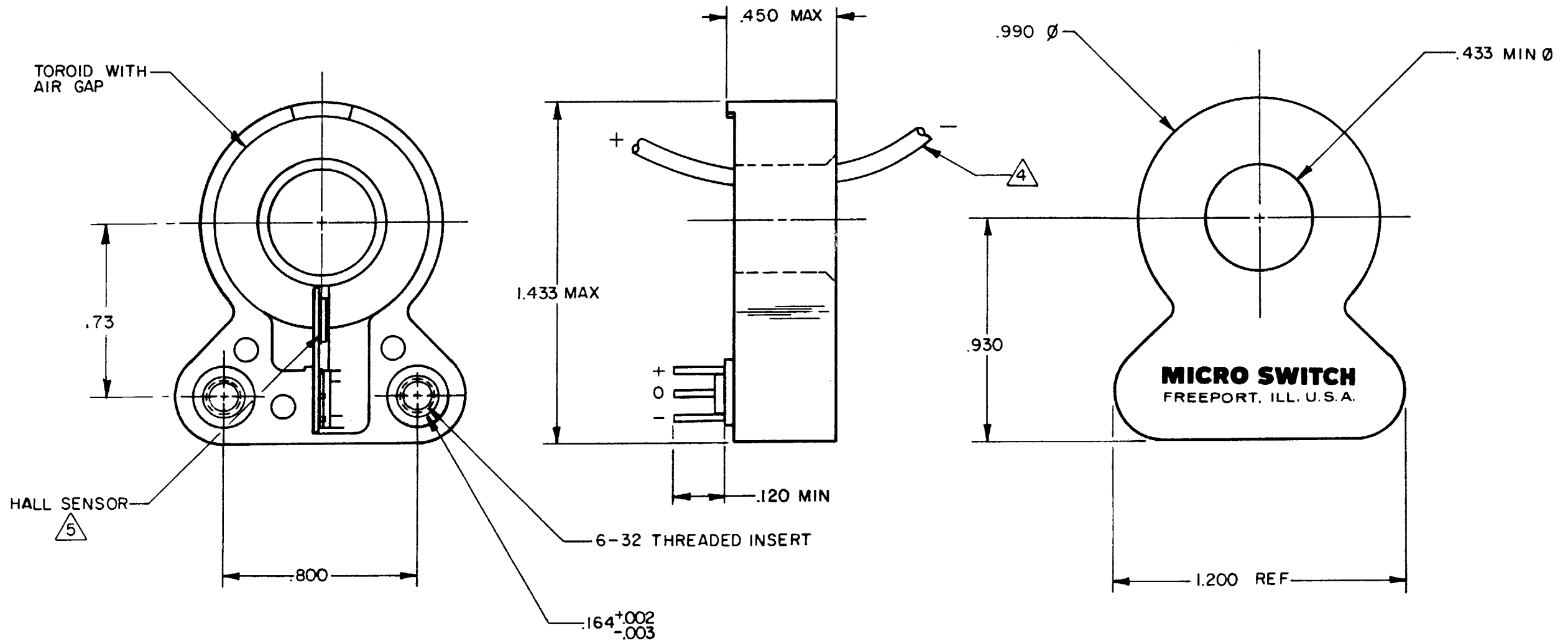
MICRO SWITCH
a Honeywell Division

**100 AMP CURRENT
SENSOR**

CATALOG LISTING
CSLA1GF

FED. MFG. CODE 91929

CATALOG LISTING
CSLA1GF
PAGE 1 OF 1
ISSUE **M**
5
REPLACES PR-15278
CHECK
REVISIONS
A CO-95704
DLM 2 MAR 00
CHECK
2 MAR 00
SAV
CHECK
2 MAR 00
DLM
DRAWN
FORMTEK



NOTES

- 1 - AIR GAP IN TOROID IS .125
- 2 - GAUSS LEVEL IN AIR GAP IS 3.7 TO 4.1 GAUSS PER NI
- 3 - RECOMMENDED MOUNTING IS .250 LONG 6-32 SCREW
- ⚠ CONVENTIONAL CURRENT FLOW IN DIRECTION INDICATED WILL CAUSE AN INCREASE IN OUTPUT VOLTAGE
- 5 SEE 91SS12-2 FOR ELECTRICAL CHARACTERISTICS

THIS DRAWING COVERS A PROPRIETARY ITEM AND IS THE PROPERTY OF MICRO SWITCH, A DIVISION OF HONEYWELL. THIS DRAWING IS NOT TO BE COPIED OR USED WITHOUT THE APPROVAL OF MICRO SWITCH

CHARACTERISTICS	ELECTRICAL DATA
OPERATING FORCE	CONTACT ARRANGEMENT
DIFFERENTIAL FORCE	
RELEASE FORCE	
PRETRAVEL	
DIFFERENTIAL TRAVEL	
OVERTRAVEL	
FREE POSITION	

THIRD ANGLE PROJECTION

SCALE **2:1**

DO NOT SCALE PRINT

UNLESS OTHERWISE SPECIFIED TOLERANCES ARE

ONE PLACE	(.0)	±.030
TWO PLACE	(.00)	±.015
THREE PLACE	(.000)	±.005
ANGLES		±
WEIGHT		

CAUTION
ELECTROSTATIC SENSITIVE DEVICE
DO NOT OPEN OR HANDLE EXCEPT BY A STATIC FREE INSTRUMENT

ESD SENSITIVITY: CLASS 3

