

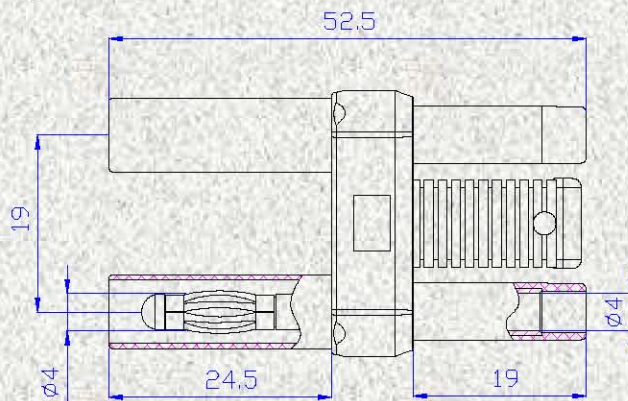
产品规格书

Product Specification

■产品名称 (Name): 4mm 短路插 (4mm Connecting Plug)

■产品型号 (Model): 26.222. *

■基本参数 (Principal Technical Data)



■典型特性 (Typical Characteristic)

主体材质 Body material	铜 Brass	绝缘体材质 Insulation material	PA
弹片材质 Spring material	铍铜 Beryllium copper	表面镀层 Surface coating	镀镍 Nickel plated
接触电阻 Contact resistance	$\leq 0.005 \Omega$	额定电压/电流 Rated voltage/current	CATII 1000V/Max.32A

■可供产品颜色(Available Color)

●
黑色(Black)

■特点 (Feature)

◆高可靠性
High reliability

◆高稳定性
High stability

◆经济实用
Economical and practical

常州市艾迈斯电子有限公司 (Changzhou AMASS Electronics Co., Ltd)

地址(Add): 江苏省常州市武进区礼嘉镇青洋南路6公里处

(QingYang Road, Lijia Town, Wujin Dis. Changzhou City, Jiangsu Pro.)

电话(Tel): 86-519-86731695 传真(Fax): 86-519-86735861

邮编(Zip): 213176 E-mail: hzy@china-amass.com

网址(Web): www.china-amass.com www.amassmodel.com