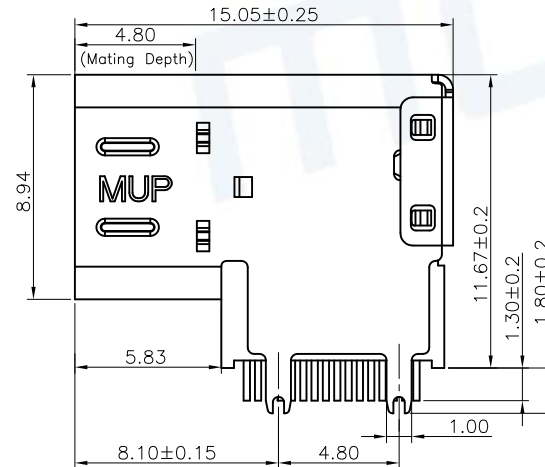
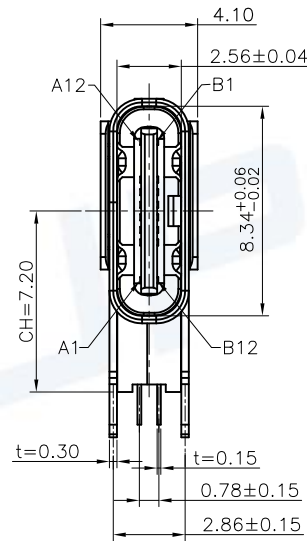
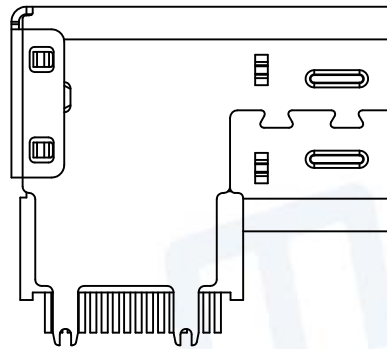
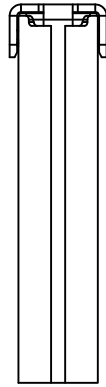
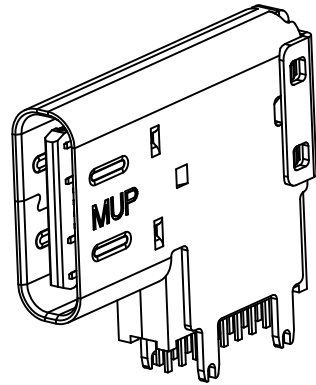


REV.	DESCRIPTION OF REVISIONS	APPR.	CHKD.	DRAW.	DATE
△	Original reversion	lucky	lucky	Roy	2021/04/02
△	Change specifications	lucky	lucky	Roy	2023/10/09
△	Change product model No.	lucky	lucky	Roy	2023/10/25

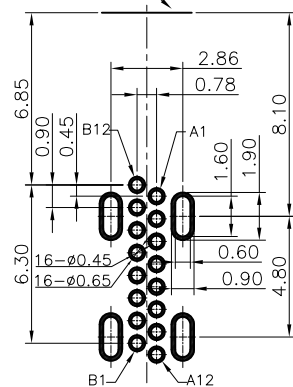
NOTE:

- MECHANICAL:
 - MATING FORCE: 0.5~2.0Kgf
 - UMMATING FORCE: Initial: 0.8~2.0Kgf
After 500 to 10,000cycles: 0.6~2.0Kgf
 - FREQUENCE: 500±50 CYCLES/HOUR, 10000 CYCLES;
- ELECTRICAL CHARACTERISTICS:
 - CURRENT RATING: 5.0A Max.
 - INITIAL CONTACT RESISTANCE: 40mΩ Max.
 - INSULATION RESISTANCE: 100MΩ MIN AT 500V DC
 - WITHSTANDING VOLTAGE: 100V AC, 1 MINUTE;
- ENVIRONMENTAL
TEMPERATURE RANGE: -40°C TO +85°C.

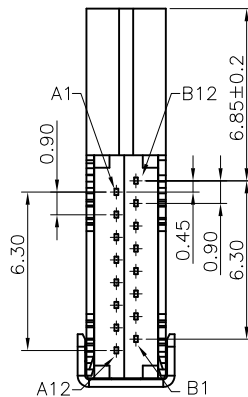


A1	GND	B12	GND
A4	VBUS	B9	VBUS
A5	CC1	B8	SBU2
A6	DP1	B7	DN2
A7	DN1	B6	DP2
A8	SBU1	B5	CC2
A9	VBUS	B4	VBUS
A12	GND	B1	GND
PIN	SIGNAL NAME	PIN	SIGNAL NAME

PCB EDGE



RECOMMENDED P.C.B. LAYOUT
TOLERANCE UNSPECIFIED ±0.05mm



ITEM	PART NAME	Q'TY	MATERIAL	FINISH
1	Molding	1	THERMOPLASTIC	Black, UL94V-0
2	CONTACT	16	HIGH CONDUCTIVITY COPPER	Contact area: Au: 3u"
3	SHELL	1	STAINLESS STEEL	Ni plated over all
4	MID-PLATE	1	STAINLESS STEEL	RINSE

Unless otherwise specified, other tolerance are:

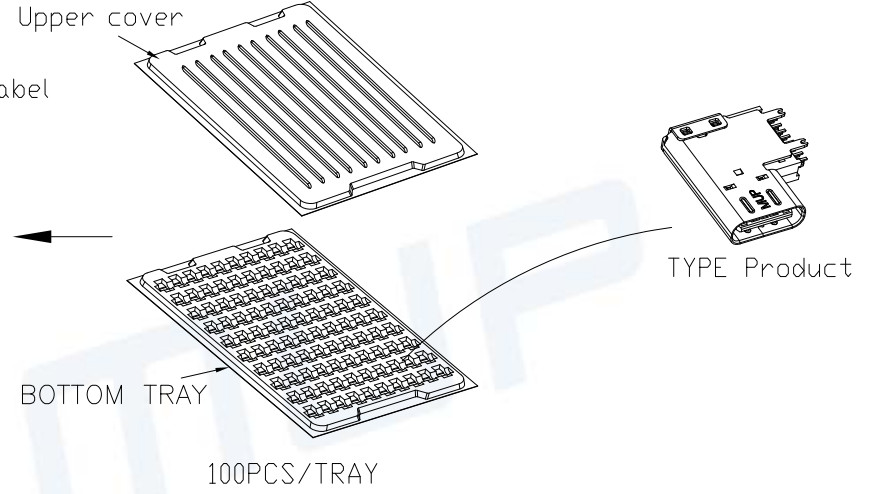
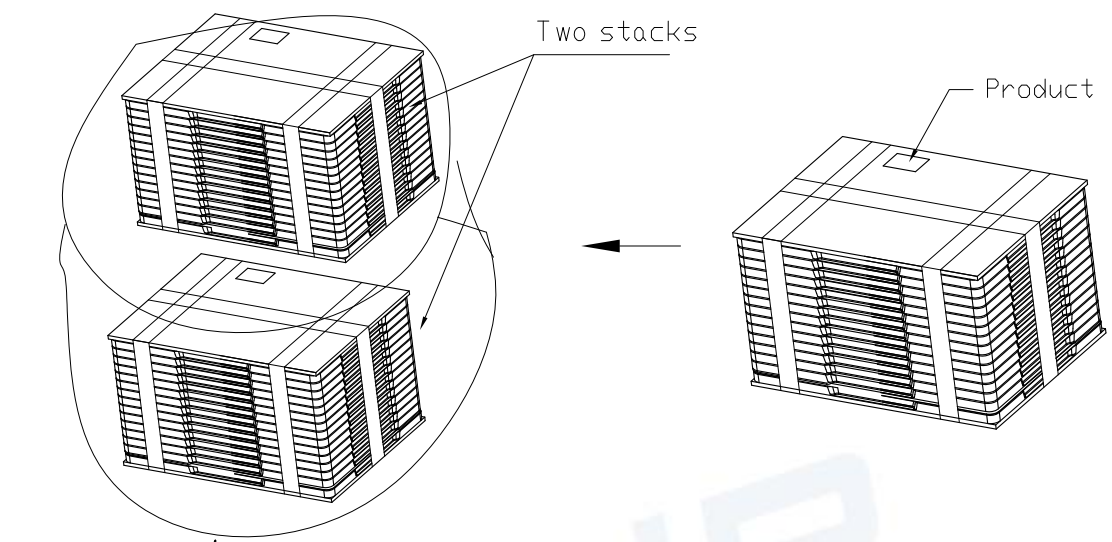
MUP MUP INDUSTRIAL CO.,LTD.

X ±0.40 X* ±5*
 X.X ±0.30 X.X* ±4*
 X.XX ±0.20 X.XX* ±3*
 X.XXX ±0.10 X.XXX* ±2*

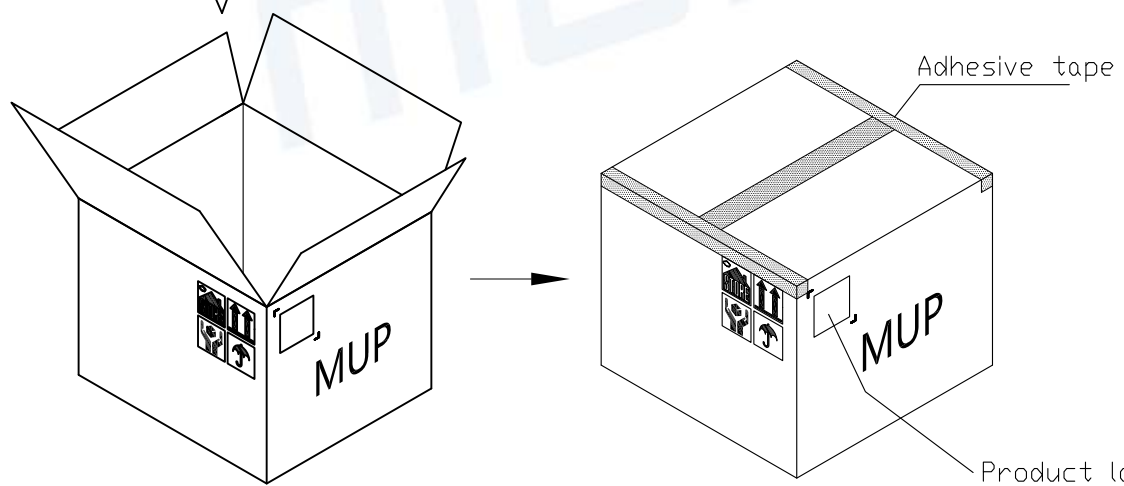
NAME: **USB Type C Vertical Mount Receptacle**
 MODEL NO: **MUP-U23401-02**
 TYPE: **16Pin & Shell feet of Straight & CH=7.2**

PROJ.	UNIT	SCALE	DRAW	Roy	2021/04/02	DWG NO.:	DWG-U23401-02-01
CHECKED	lucky	2021/04/02	APPROVAL	lucky	2021/04/02	SHEET	1/2
CUSTOMER DRAWING						REVISION	3

REV.	DESCRIPTION OF REVISIONS	APPR.	CHKD.	DRAW.	DATE
△	Original reversion	lucky	lucky	Roy	2021/04/02
△	Change specifications	lucky	lucky	Roy	2023/10/09
△	Change product model No.	lucky	lucky	Roy	2023/10/25



Note: You should put two desiccants in each PE bag



QUANTITY: 4600/CARTON

NOTES

1. You should put two desiccants in each PE bag
2. NUMBER OF CONNECTORS: 100PCS/TRAY
3. QUANTITY: 4600/CARTON
4. Corresponding to each box location must be labeled

Unless otherwise specified, other tolerance are:			MUP INDUSTRIAL CO.,LTD.		
X	±0.40	X'			
X.X	±0.30	X.X'	±4'	MODEL NO:	MUP-U23401-02
X.XX	±0.20	X.XX'	±3'	TYPE :	16Pin & Shell feet of Straight & CH=7.2
X.XXX	±0.10	X.XXX'	±2'	PROJ.	Roy 2021/04/02
 PROCESS COMPLIANT			UNIT	SCALE	DWG NO.:
			mm	1:1	DWG-U23401-02-01
			CUSTOMER DRAWING		CHECKED
					lucky 2021/04/02
					APPROVAL
					lucky 2021/04/02
				SHEET	REVISION
				2/2	3