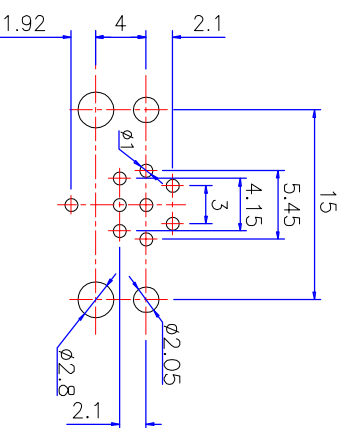
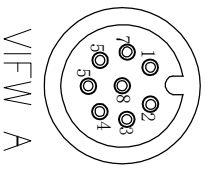
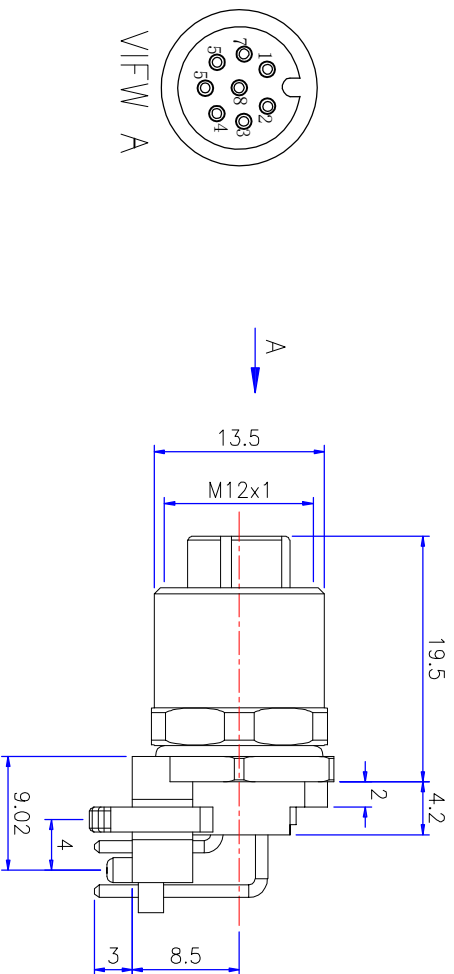




Product NO.		DOSIN-878-0034		
REV	DESCRIPTION	DWN	DATE	APPROVEN
A	First issue	Gavin	2020/11/24	John kine



General Specifications

Connector locking system: Screw
 Termination: Dip solder
 Type: Right angled
 Temperature range: -40°C ~ +85°C
 Mating cycles: > 200
 Coding: A
 Degree of protection: IP67 when mated
 Contact resistance: ≤5 mΩ
 Insulation resistance: ≥100 MΩ

Materials:

Contact: CuSn
 Contact plating: Gold plated
 Contact insert: PA66+GF Black
 Shell A: CuZn nickel plated
 Shell B: CuZn nickel plated
 Sealing: NBR black
 Adhesive: Epoxy

NOTE:	Tolerance	0.5 - 8mm ± 0.15mm 8 - 30mm ± 0.20mm 30 - 120mm ± 0.30mm
DRAWN Gavin	View	
CHECKED	UNIT	MM
APPROVALS John kine	SCALE	1:1

 Dosin Industrial (H.K.) Co., Ltd 东莞市德森五金电子有限公司 Dosin Hardware Electronics Co., Ltd	Name:	M12 A Code 8Pin Female Mount Angled DIP Connector
	dosin2005@dosin-china.com Web: http://www.china-guan.com TEL: (0086) 769-81153906 FAX: (0086) 769-81875836	

6	A	B	C	D	E	F	G