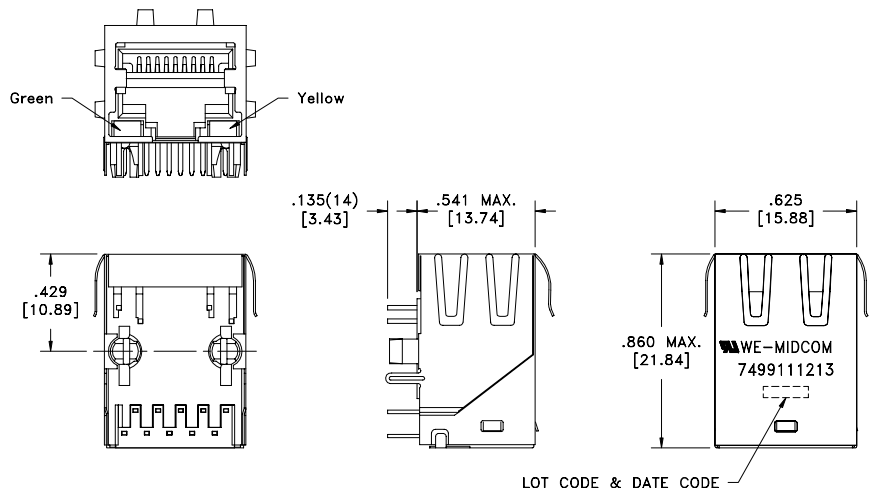


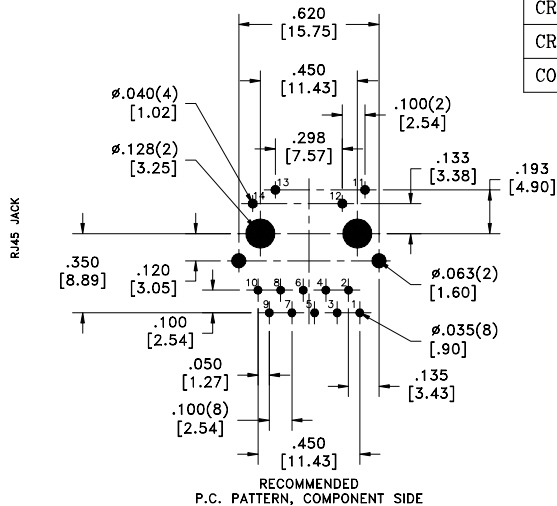
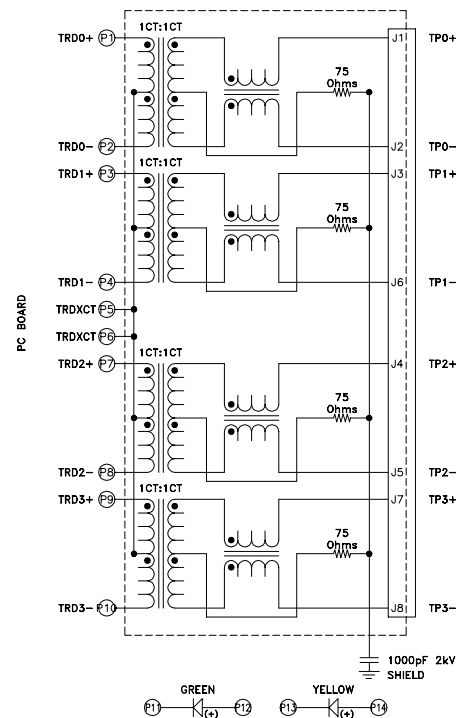
CUSTOMER TERMINAL	RoHS	LEAD(Pb)-FREE
Sn100%	Yes	Yes



ELECTRICAL SPECIFICATIONS @ 25°C unless otherwise noted:



PARAMETER	TEST CONDITIONS	VALUE
INDUCTANCE	J1-J2 100kHz, 100mVAC, 8mADC, Lp	350uH min.
INDUCTANCE	J3-J6 100kHz, 100mVAC, 8mADC, Lp	350uH min.
INDUCTANCE	J4-J5 100kHz, 100mVAC, 8mADC, Lp	350uH min.
INDUCTANCE	J7-J8 100kHz, 100mVAC, 8mADC, Lp	350uH min.
DIELECTRIC	Board-Jack Side -	1500Vrms, 1 minute
URNS RATIO	(P1-P2):(J1-J2)	1:1, ±2%
URNS RATIO	(P7-P8):(J4-J5)	1:1, ±2%
URNS RATIO	(P3-P4):(J3-J6)	1:1, ±2%
URNS RATIO	(P9-P10):(J7-J8)	1:1, ±2%
INSERTION LOSS	1MHz - 100MHz	-1.0dB max.
RETURN LOSS	1M - 40MHz	-18dB min.
RETURN LOSS	40M - 60MHz	-14dB min.
RETURN LOSS	60M - 80MHz	-12dB min.
RETURN LOSS	80M - 100MHz	-10dB min.
CROSSTALK	1M - 30MHz	-40dB typ.
CROSSTALK	30M - 60MHz	-36dB typ.
CROSSTALK	60M - 100MHz	-30dB typ.
COMMON MODE REJECTION	1M - 100MHz	-35dB min.



GENERAL SPECIFICATIONS:

Designed for 10/100/1000 Base-T Application.

OPERATING TEMPERATURE RANGE: 0°C to +70°C.

REV.	DATE
6B	1/08
6A	9/07

AGENCY NUMBER	
UL60950-1	E205930

Packaging Specifications

Method: Tube
 PKG-0524
 www.midcom-inc.com

Unless otherwise specified:
 Tolerances: Fractions: ±1/64
 Angles: ±1° Decimals: ±.010 [.25]
 This drawing is dual dimensioned. Dimensions in brackets are in millimeters.

DRAWING TITLE

TRANSFORMER
 GIGABIT

eiSos p/n: 749911213



DRAWING NO.

749911213

REVISIONS: SEE SHEET 1

SCALE ---

SHEET 2 OF 6