

Product data sheet

Miniature connectors

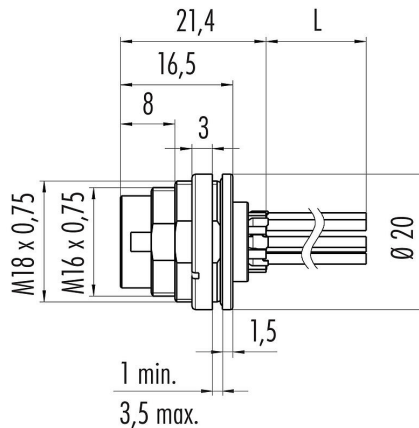


Product description	M16 IP67 male panel mount connector, Contacts: 4, unshielded, single wires, IP67, UL, front mounting
Area	M16 IP67 series 723
Order number	09 0111 782 04

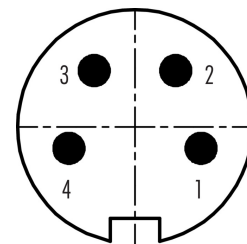
Illustration



Scale drawing



Contact arrangement (Plug-in side)



- 1 white
- 2 brown
- 3 green
- 4 yellow

You can find the assembly instructions on the next page.

Technical data

General features

Order number	09 0111 782 04
Connector design	male panel mount connector
Version	connector male straight
Connector locking system	screw
Termination	single wires
Degree of protection	IP67
Cross-sectional area	AWG 22
Temperature range from/to	-30 °C / 85 °C
Mechanical operation	> 500 Mating cycles
Weight (g)	15.986
Customs tariff number	85369010

Electrical parameters

Rated voltage	300 V
Rated impulse voltage	1500 V
Rated current (40 °C)	5 A
Insulation resistance	$\geq 10^{10} \Omega$
Pollution degree	1
Overvoltage category	I
Insulating material group	II
EMC compliance	unshielded

Product data sheet

Miniature connectors



Product description	M16 IP67 male panel mount connector, Contacts: 4, unshielded, single wires, IP67, UL, front mounting
Area	M16 IP67 series 723
Order number	09 0111 782 04

Material

Housing material	Zinc die-cast nickel-plated
Contact body material	PBT (UL94 V-0)
Contact material	CuSn (bronze)
Contact plating	Ag (silver)
REACH SVHC	CAS 7439-92-1 (Lead)

Authorization/approvals

Approvals	UL
-----------	----

Product data sheet
Miniature connectors



Product description	M16 IP67 male panel mount connector, Contacts: 4, unshielded, single wires, IP67, UL, front mounting
Area	M16 IP67 series 723
Order number	09 0111 782 04

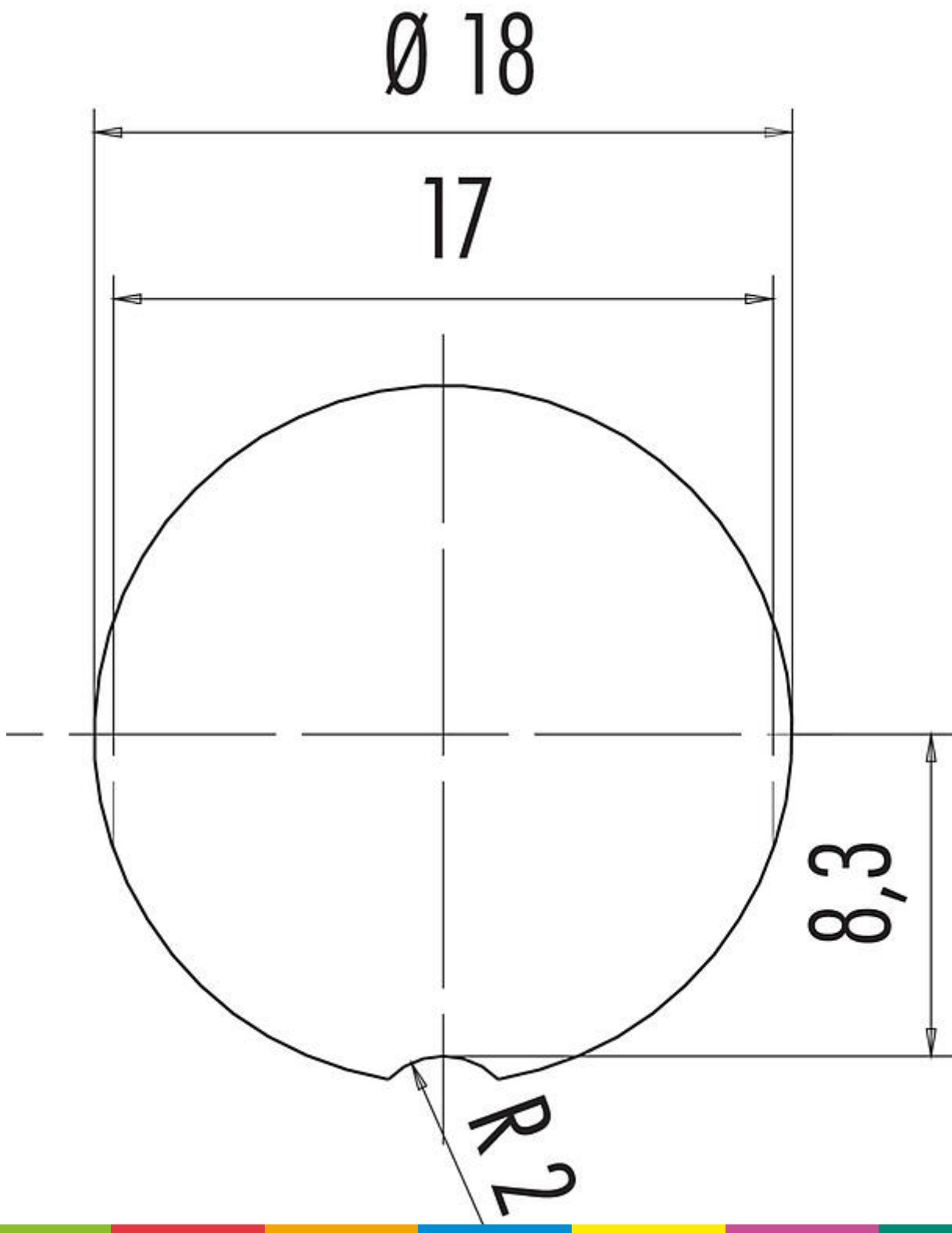
Product data sheet
Miniature connectors



Product description	M16 IP67 male panel mount connector, Contacts: 4, unshielded, single wires, IP67, UL, front mounting
Area	M16 IP67 series 723
Order number	09 0111 782 04

Product description	M16 IP67 male panel mount connector, Contacts: 4, unshielded, single wires, IP67, UL, front mounting
Area	M16 IP67 series 723
Order number	09 0111 782 04

Assembly instructions / Panel cut-out



Product data sheet

Miniature connectors



Product description	M16 IP67 male panel mount connector, Contacts: 4, unshielded, single wires, IP67, UL, front mounting
Area	M16 IP67 series 723
Order number	09 0111 782 04

Security notices

The connector must not be plugged or unplugged under load. Non-observance and improper use can result in personal injury.

The connectors have been developed for applications in plant engineering, control and electrical equipment construction. The user is responsible for checking whether the connectors can also be used in other areas of application.

Plug connectors with enclosure protection IP 67 and IP 68 are not suitable for use under water. When used outdoors, the plug connectors must be protected separately against corrosion. For further information on the IP protection classes, please refer to the "Technical Information" download centre.