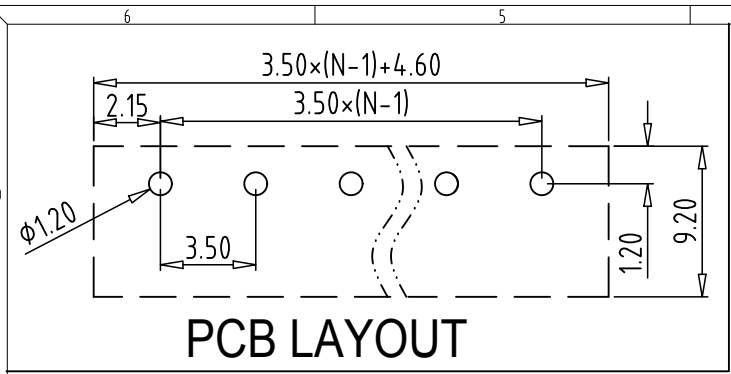
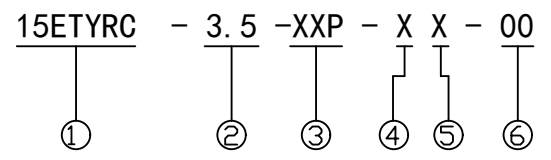
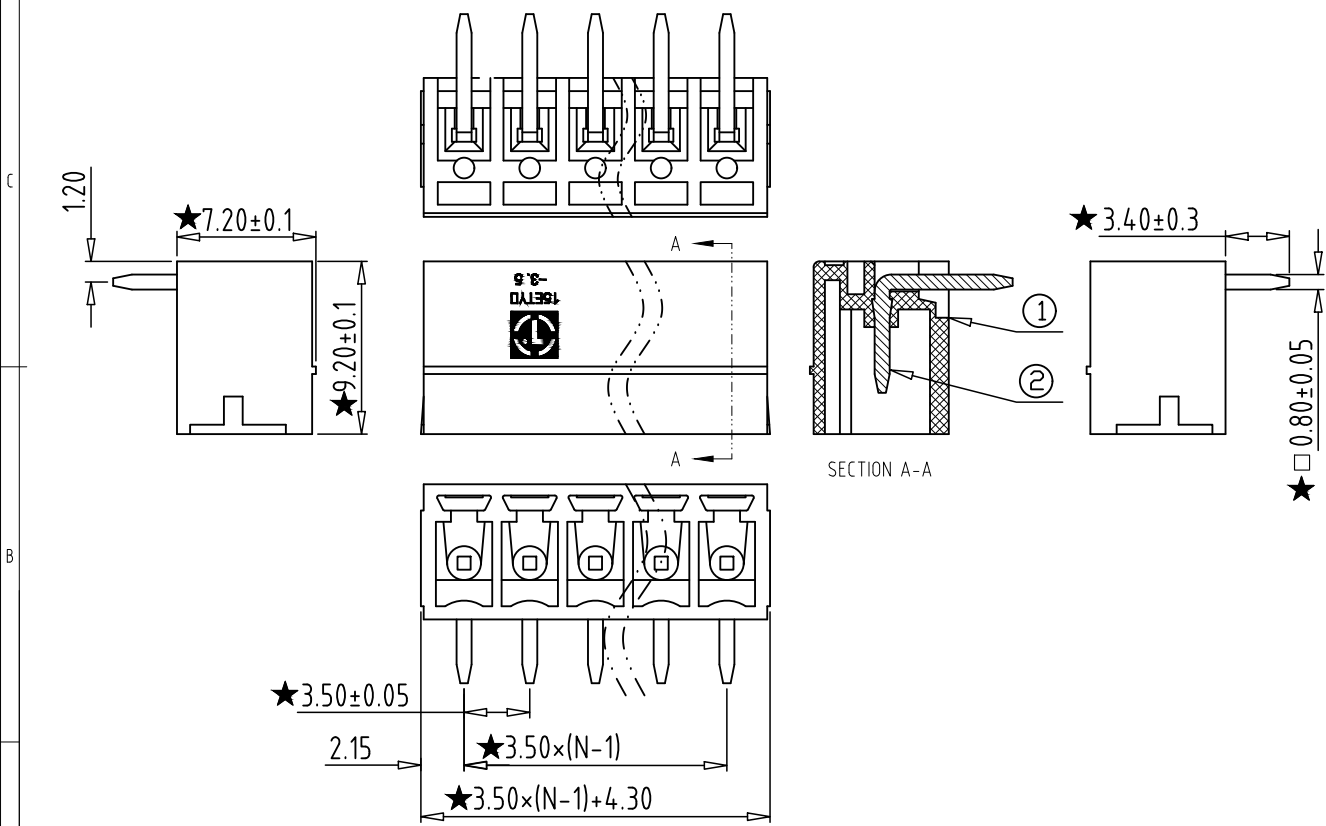


REV	CONTENT	CHK	DATE
V0.0	CONTENT	YL	22.11.21



**Electrical :**

- |  |               |      |
|--|---------------|------|
|  | UL            | IEC  |
| 1. Rated Voltage :                       | 300V          | 250V |
| 2. Rated Current :                       | 8A            | 7A   |
| 3. Withstanding Voltage :                | AC1600V/1Min; |      |
| 4. Operating Temperature :               | -40°C~+105°C; |      |
| 5. RoHS Compliance;                      |               |      |
| 7. "★" is the key quality control point. |               |      |



- ① Series NO.
- ② Pitch
- ③ Poles
  - 02 02Contacts
  - 03 03Contacts
  - ... 24 24Contacts
- ④ 1 Single Pitch  
2 Double Pitch
- ⑤ Color: 1 Grey  
2 Blue  
3 Black  
4 Green  
5 Orange  
6 Red  
7 Transparent  
8 Yellow  
9 White
- ⑥ Customer Request: 00--Standard

Total Pitch Tolerances in mm										Nominal dimension range in mm										⊥	≡	-	//				
over	over	over	over	over	over	over	over	over	over	over	over	over	over	over	over	over	over	over	over	0	over	0	over	0	over	0	over
0	30	53	70	90	115	150	250	350	500	0	30	53	70	90	115	150	200	250	320	0	10	0	100	0	100	0	150
±0.18	±0.20	±0.25	±0.3	±0.35	±0.44	±0.60	±0.70	±0.85	±0.20	±0.25	±0.30	±0.35	±0.44	±0.55	±0.70	±0.80	±0.90	0.2	0.3	0.3	0.2	0.3	0.2	0.3	0.2	0.3	0.5

2	PIN	XX	N	BRASS	Tin Plated
1	HOUSING	XX	1	PA66 UL94V-0	SEE NOTE
ITEM	NAME OF PART	NO. OF PART	Q'TY	MATERIAL	NOTE
DWG.	YL	DATE	22.11.21	SIZE	A4 UNITS mm SHEET/OF 1 / 1
CHK.	DATE			SCALE	1:1
APP.	DATE			NAME	15ETYRC-3.5-XXP-XX-00
拓宜(上海)工控电器设备有限公司 Topone (Shanghai) Industrial Control Electrical Equipment Co., LTD.				DWGNO.	XXXXX