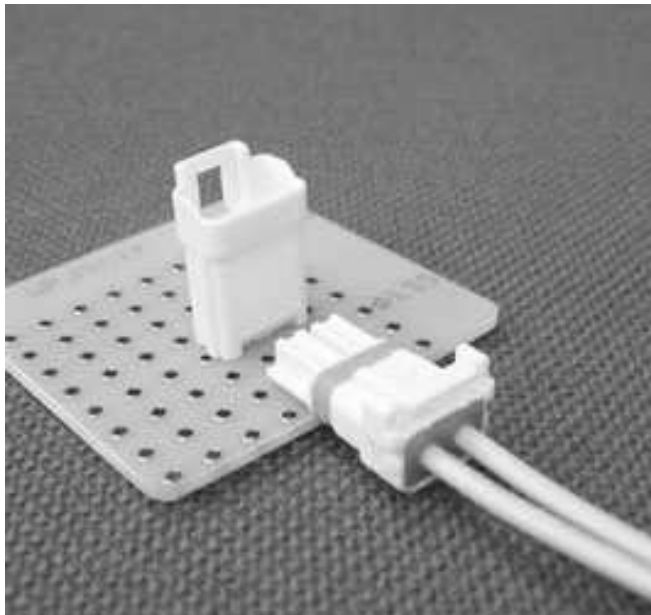
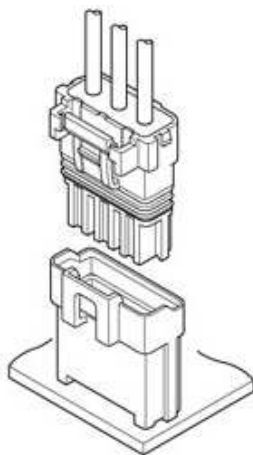


WPJ CONNECTOR

Disconnectable Crimp style connectors



Compact, water resistant and durable. This connector for electrical connection can be used in both water and non water resistant conditions, depending on usage.



Features

- **Water Proof Performance**

Water proof grade:IP:X7. More than grade 7 ingress protection of JIS C 0920.

- **Control Key System**

3 different configuration patterns for mis-insertion preventive measure. Mis-insertion of headers using the same number of circuits would be reduced.

- **Contact Formation**

Contacts are structurally designed and made durable to withstand unintentional and irregular insertion method that could cause damage to the contact point.

- **Inter Locking System**

Stronger inter locking system which will maintain connectivity and will not be affected by external forces.

- **Compact Design**

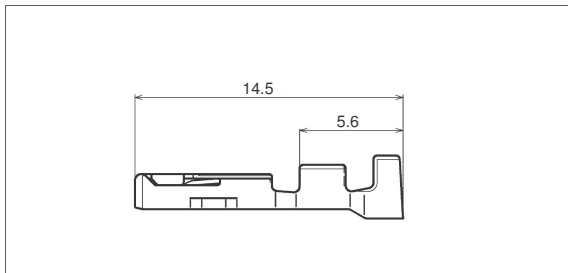
As a wire to board water resistant, power connector, the design is considered to be very compact.

Specifications

- Current rating: 7.0A AC, DC (When using AWG#18 wire)
 - Voltage rating: 300V AC, DC
 - Temperature Range: -25°C to +85°C (including temperature range rise in applying electrical current)
 - Applicable Wire: AWG #22 to #18
0.33 to 0.83mm²
Insulation O.D./2.4 to 2.8mm
 - Recommended Printed Circuit Board Thickness: 1.6mm
 - Number of Circuits: 2 & 3
 - Entry Type: Top
 - Waterproof Grade: More than 7 ingress protection of JIS C 0920
- * Directive 2002/95/EC (RoHS) Compliant

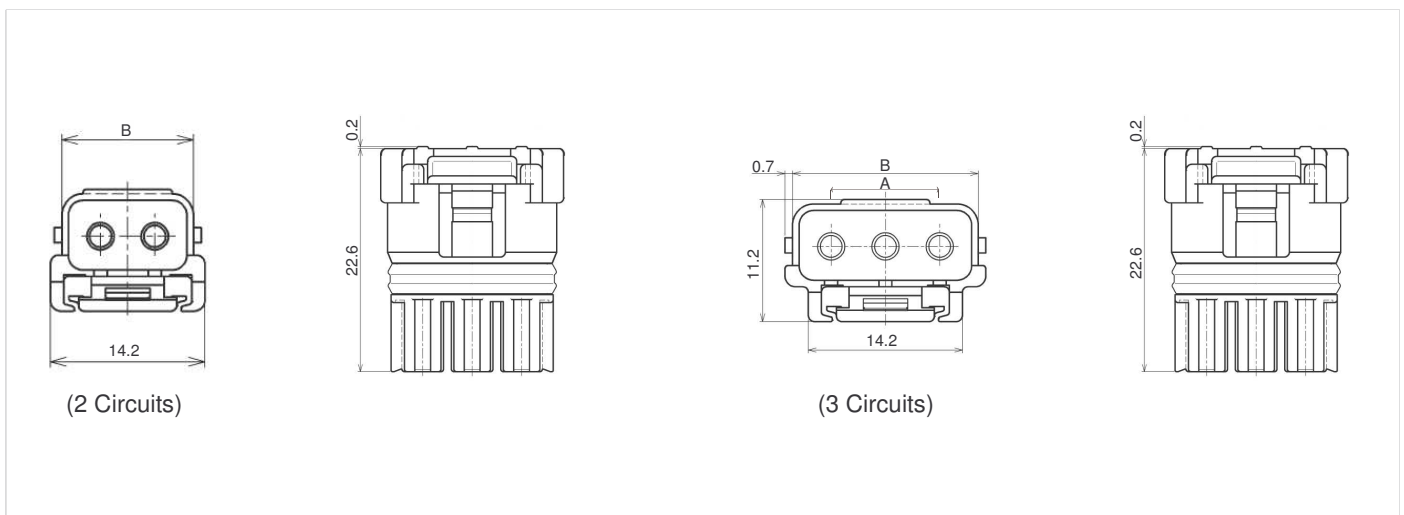
WPJ CONNECTOR

Contact



Model No.	Applicable wire			Q'ty / reel
	mm ²	AWG #	Insulation O.D.mm	
SWPJR-21T-M0.5	0.33 to 0.83	22 to 18	2.4 to 2.8	4,500
Material and Finish				
Copper Alloy, Tin-Plated				

Housing

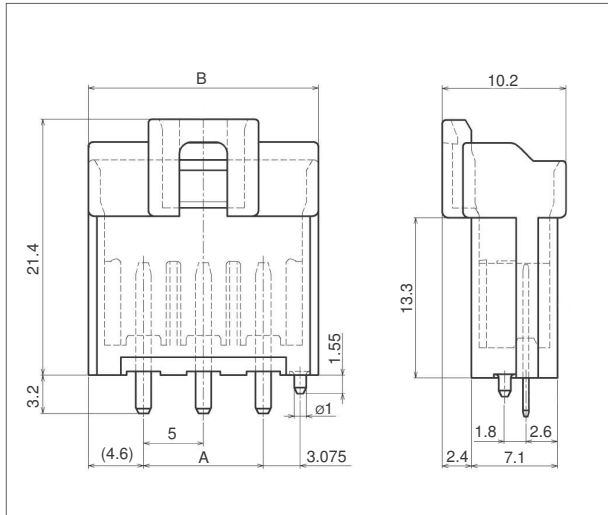


Circuit	Polarizing Key	Model No.		Dimensions mm (in.)		Q'ty / bag	
		Non-waterproof	Waterproof	A	B	Non-waterproof	Waterproof
2	Pattern 1	WPJR-02V-1-S	02R-WPJV-1-SMM	--	12.1	1,000	240
	Pattern 2	WPJR-02V-2-R	02R-WPJV-2-RMM	--	12.1	1,000	240
	Pattern 3	WPJR-02V-3-E	02R-WPJV-3-EMM	--	12.1	1,000	240
3	Pattern 1	WPJR-03V-1-S	03R-WPJV-1-SMM	10.0	17.1	1,000	192
	Pattern 2	WPJR-03V-2-R	03R-WPJV-2-RMM	10.0	17.1	1,000	192
	Pattern 3	WPJR-03V-3-E	03R-WPJV-3-EMM	10.0	17.1	1,000	192

Material	
Receptacle Housing: Glass-Filled PBT, UL94V-0, Colour: S... Natural, R... Red, E... Blue	
Seal Ring: Silicon, Colour: Green (Waterproof type)	
Seal Rubber Plate: Silicon, Colour: Green (Waterproof type)	

WPJ CONNECTOR

Header

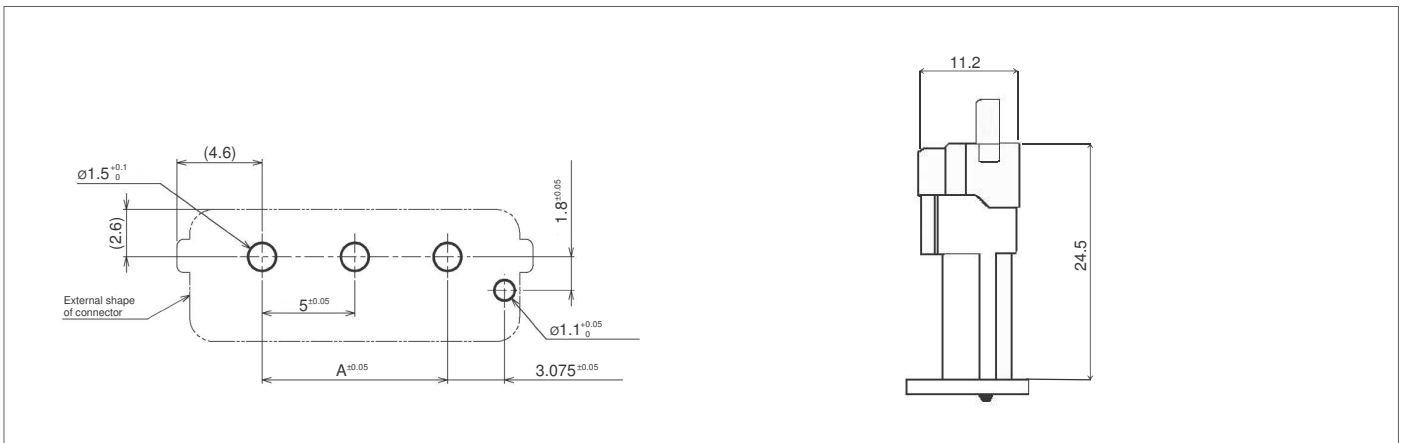


Circuit	Polarizing Key	Model No.	Dimensions mm (in.)		Q'ty / bag
			A	B	
2	Pattern 1	B02B-WPJSS-1	--	14.2	400
	Pattern 2	B02B-WPJRS-2	--	14.2	400
	Pattern 3	B02B-WPJES-3	--	14.2	400
3	Pattern 1	B03B-WPJSS-1	10.0	19.2	300
	Pattern 2	B03B-WPJRS-2	10.0	19.2	300
	Pattern 3	B03B-WPJES-3	10.0	19.2	300

Material and Finish

Post: Copper Alloy, Copper underplated, tin-plated
 Wafer: Glass-Filled PBT, UL94V-0, Colour: S... Natural, R... Red, E... Blue

PC board layout



- Note:
1. Tolerances are non-cumulative: ± 0.05 mm (± 0.002 ") for all centers.
 2. The dimensions above should serve as a guideline. Contact JST for details.