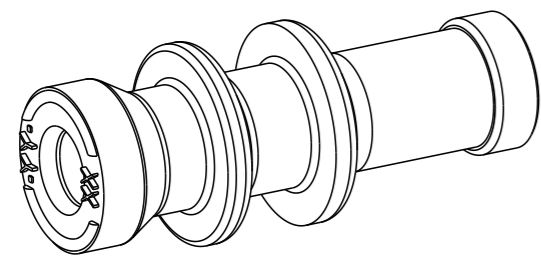
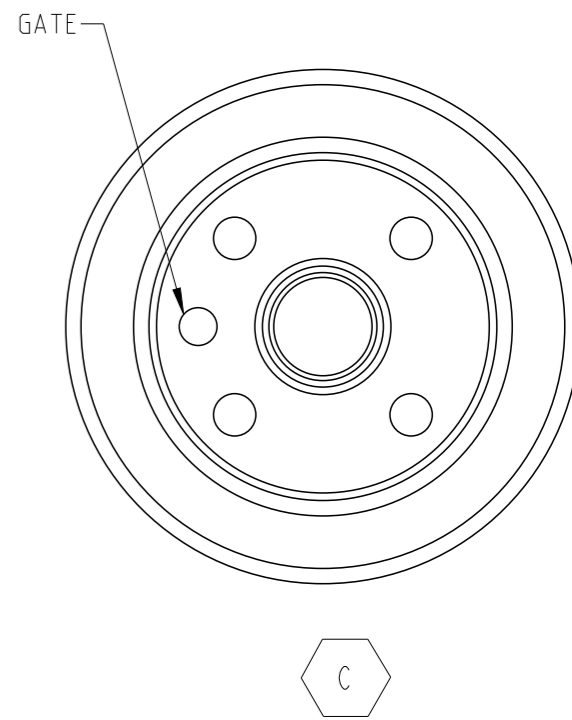
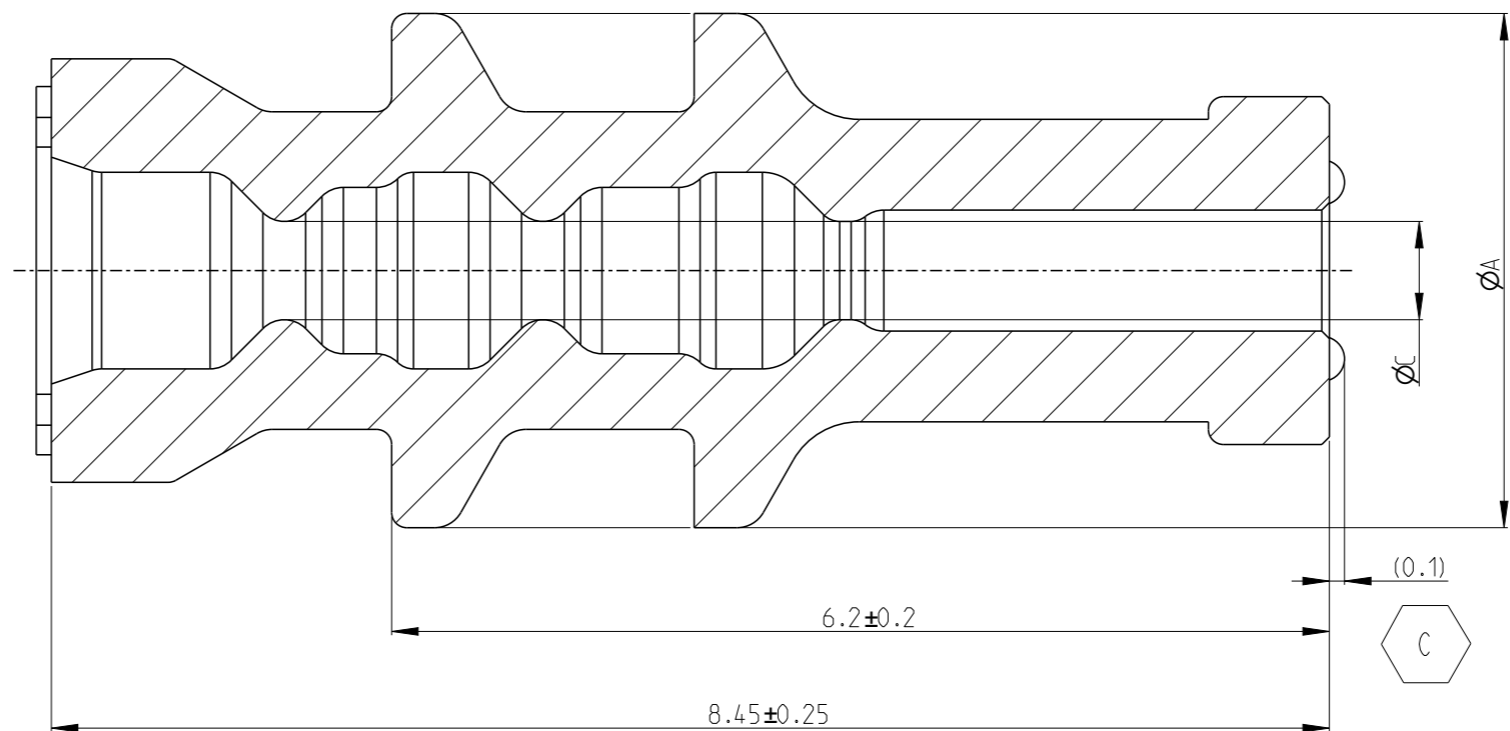
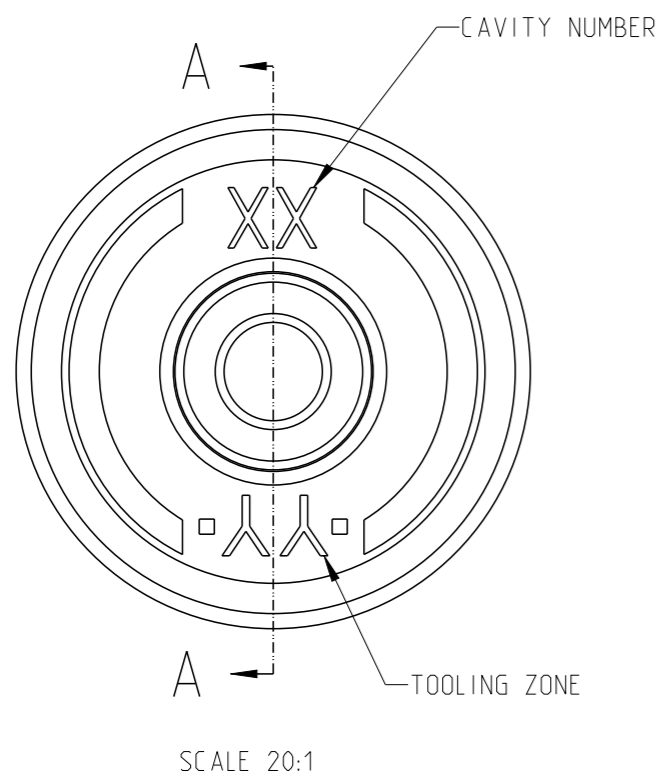


P	LTR	DESCRIPTION	DATE	DWN	APVD
A		INITIAL	02NOV2021	A.D	J.Z
B		ECN-22-146553	28JAN2022	A.D	J.Z
C		ECR-2022-05-335(N)-E	20JUN2022	A.D	J.Z

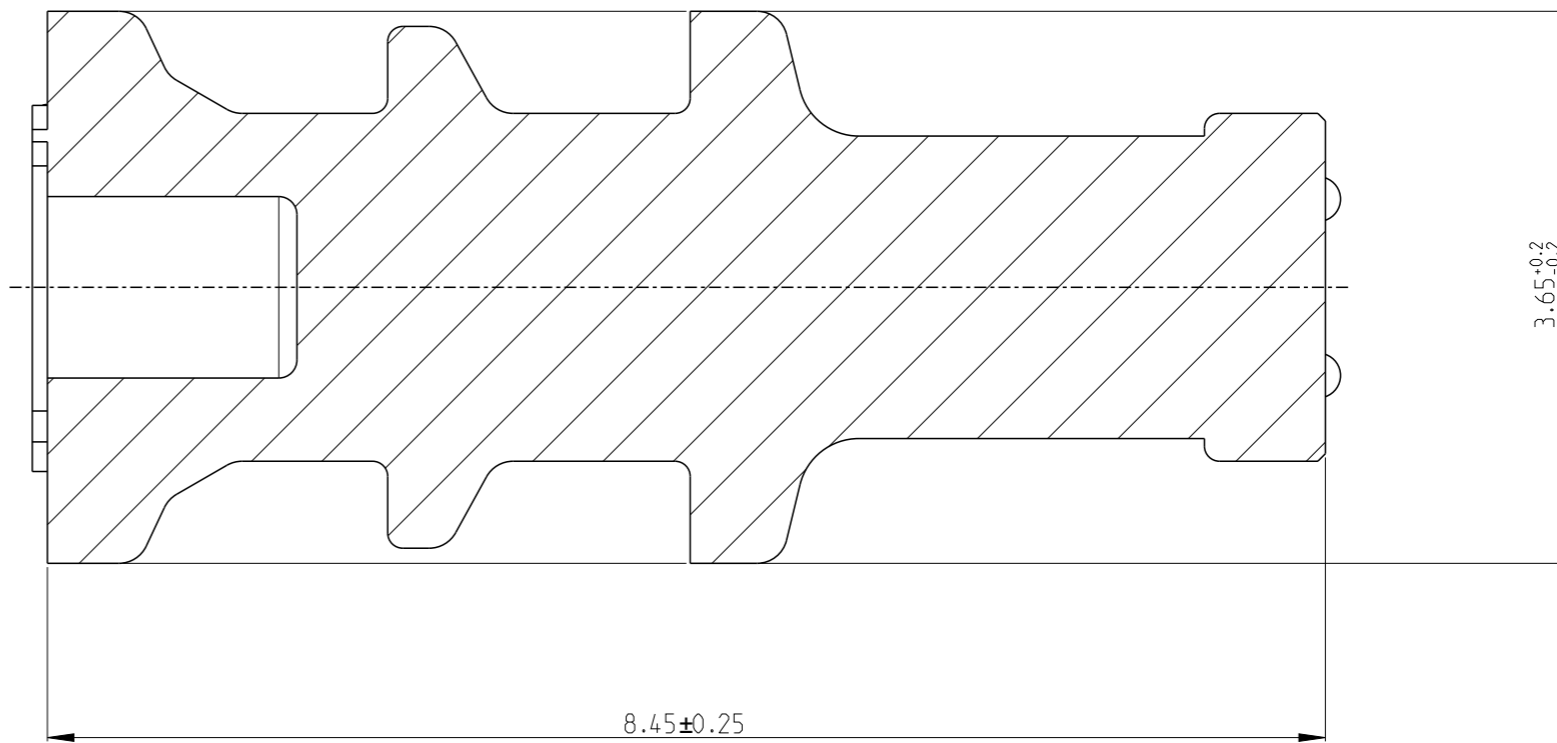
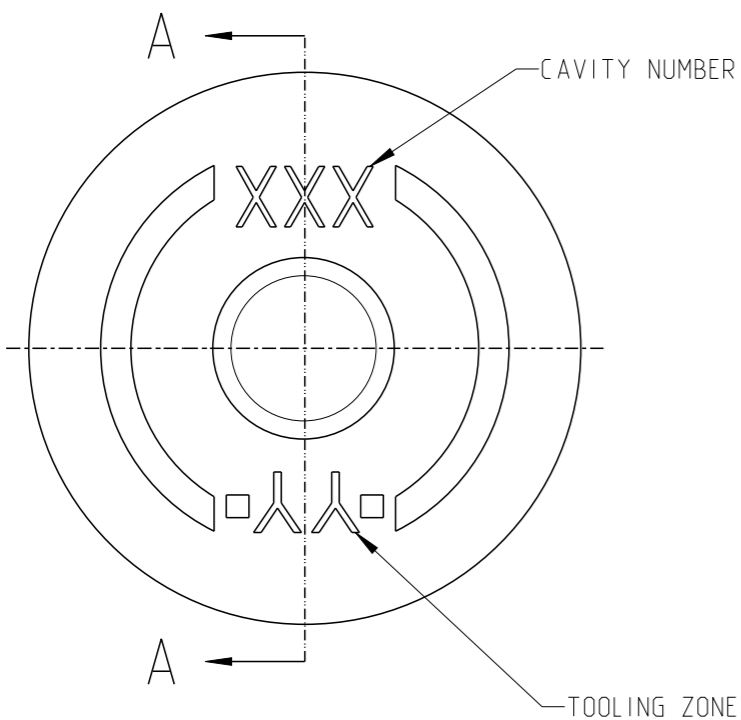


WIRE SIZE(mm <sup>2</sup> )	DIA OF INSULATION	APPLICATION CONTACT	P/N OF SWS	ØC	ØA	MATERIAL	COLOR
0.35mm <sup>2</sup>	1.2mm-1.4mm	2377023-1;2387544-1	2377665-5	0.65±0.15	3.4+0.2/-0.15	VMQ	GREEN
0.5mm <sup>2</sup>	1.4mm-1.6mm	2377023-2;2387544-2	2377665-4	0.75±0.15	3.4+0.2/-0.15		BLUE

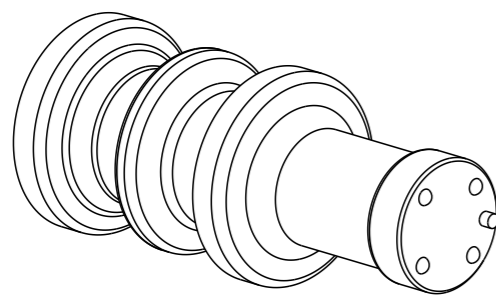
THIS DRAWING IS A CONTROLLED DOCUMENT.		DWN A.DANG 02NOV2021	
DIMENSIONS: mm	TOLERANCES UNLESS OTHERWISE SPECIFIED:	CHK J.ZONG 02NOV2021	
	Ø PLC ± 1 PLC ±0.1 2 PLC ±0.01 3 PLC ±0.001 4 PLC ±0.0001 ANGLES ±	APVD J.ZONG 02NOV2021	
	MATERIAL SEE TABLE material_2	FINISH -	
		WEIGHT -	NAME SWS
		CUSTOMER DRAWING	SIZE A3
		SCALE 8:1	CAGE CODE 00779
		SHEET 1 OF 2	DRAWING NO C=C-2377665
		REV C	RESTRICTED TO -

P	LTR	DESCRIPTION	DATE	DWN	APVD
-		SEE SHEET 1	-	-	-



SECTION A-A  
SCALE 20:1

**B** ADD THIS SHEET



WIRE SIZE(mm2)	DIA OF INSULATION	APPLICATION CONTACT	P/N OF SWS	MATERIAL	COLOR
		NA ( BLIND PLUG)	2377665-3	VMQ	RED

THIS DRAWING IS A CONTROLLED DOCUMENT.		DWN A.DANG	02NOV2021		
DIMENSIONS: mm		CHK J.ZONG	02NOV2021		
		APVD J.ZONG	02NOV2021		
TOLERANCES UNLESS OTHERWISE SPECIFIED:		PRODUCT SPEC		NAME SWS	
0 PLC ±-		-		-	
1 PLC ±0.1		APPLICATION SPEC		-	
2 PLC ±0.01		-		-	
3 PLC ±0.001		WEIGHT		-	
4 PLC ±0.0001		CUSTOMER DRAWING		-	
ANGLES ±		SCALE 8:1		SHEET 2 OF 2	
FINISH		-		REV C	
MATERIAL SEE TABLE material_2		-		-	
finish_spec_2		-		-	