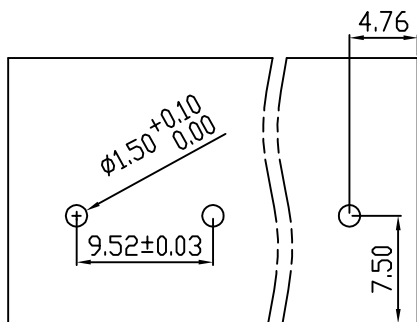


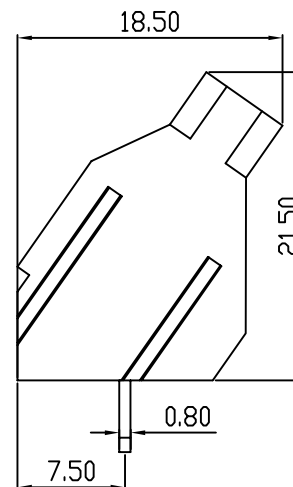
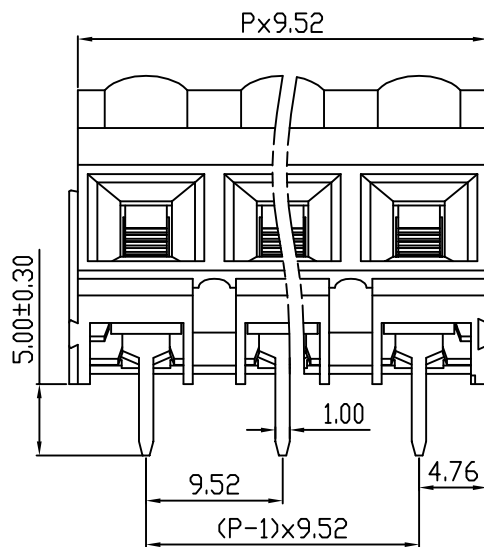
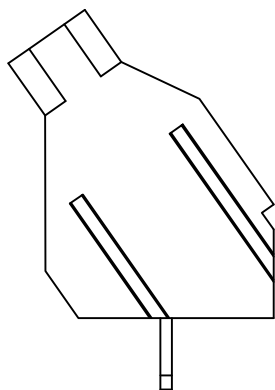
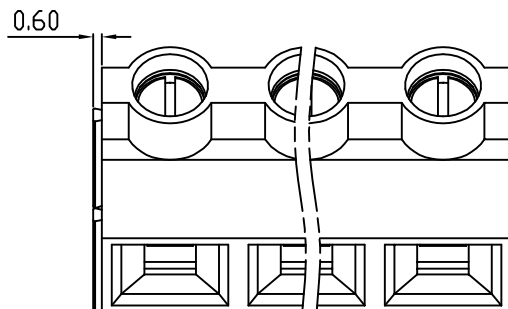
linear dimension(Tolerances Standard GB/T 14486-2008)



variable range	to	over 6 to 10	over 10 to 30	over 30 to 60	over 60 to 100	over 100 to 160	over 160 to	to	over 10 to 100	over 100 to
	6	10	30	60	100	160		10	100	
tolerance	±0.20	±0.30	±0.50	±0.70	±1.00	±1.30	±1.60	0.10	0.30	0.60



PCB LAYOUT



REVISION RECORD

REV.	DESCRIPTION	ECN No.	APPROVED	DATE
A	新发行		CLF	21.09.17

UL/CUL 技术参数		UL/CUL Technical Data		
等级	Use Group	B	C	D
额定电压	Rated Voltage [V]	300	-	300
额定电流	Rated Current [A]	30	-	10
接线范围	Wire Range			
单/多芯线	Solid/Stranded [AWG]	22-10		
耐电压	Withstanding Voltage	1600V/1Min		
IEC 技术参数		IEC Technical Data		
过电压类别	Overtoltage Category	III	III	II
污染等级	Contamination Class	3	2	2
额定电压	Rated Voltage [V]	630	750	1000
额定电流	Rated Current [A]	32	32	32
额定冲击电压	Impulse withstand voltagea [KV]	6.0	6.0	6.0
导线截面积	Conductor cross section			
硬质/柔性导线	Solid/flexible [mm ²]	4.0		
材料		Material		
绝缘材料	Insulation Material	PA66		
阻燃等级	Imflamability	UL94V-0		
导体材料	Contactior Material	铜合金 Copper alloy		
导体表面镀层	Contactive Coating	镀锡 Tin Plated		
一般参数		Other Data		
间距	Pitch [mm]	9.52		
极数	Poles [P]	2-24		
剥线长度	Stripping Length [mm]	6-7		
螺丝	Screw/扭矩 Torque(Max) [N.m]	M3/0.5		
工作温度	Operating temperatur [°C]	-40~+105		
引针尺寸	Pin Dimensions [mm]	5.0		
PCB板孔径	PCB Hole Diameter [mm]	1.5		

DES.	LQQ	DATE	21.09.17	单位/UNITS	mm	尺寸/SIZE	A4	比例/SCALE	1:1
CHK.	BY	DATE	21.09.17						
APP.	CLF	DATE	21.09.17						



慈溪市科发电子有限公司
CIXI KEFA ELECTRONICS CO., LTD

第三视角/THIRD ANGLE PROJECTION		版本/REV	A
名称/TITLE	KF950S-9.52		