

Valve connectors - SAC-3P-MR/A-1L-Z SCO - 1458538


Please be informed that the data shown in this PDF Document is generated from our Online Catalog. Please find the complete data in the user's documentation. Our General Terms of Use for Downloads are valid (<http://phoenixcontact.com/download>)



Valve connectors, 3-position, Plug angled M12 SPEEDCON, A-coded, on Valve connector A, with 1 LED, connected with Z diode



Key Commercial Data

| | |
|--------------------------------------|---|
| Packing unit | 1 pc |
| GTIN |  4 046356 638982 |
| GTIN | 4046356638982 |
| Weight per Piece (excluding packing) | 40.000 g |
| Custom tariff number | 85366990 |
| Country of origin | Germany |

Technical data

Dimensions

| | |
|-------------------------------|---------|
| Central screw valve connector | M3 x 29 |
|-------------------------------|---------|

Ambient conditions

| | |
|---------------------------------|-------------------------------|
| Ambient temperature (operation) | -25 °C ... 85 °C (valve plug) |
| Degree of protection | IP65 |
| | IP67 |

General

| | |
|-----------------------|---------|
| Rated current at 40°C | 4 A |
| Rated voltage | 24 V AC |
| | 24 V DC |
| Number of positions | 3 |

Valve connectors - SAC-3P-MR/A-1L-Z SCO - 1458538

Technical data

General

| | |
|------------------------------|------------------------------------|
| Insulation resistance | ≥ 100 MΩ |
| Coding | A - standard |
| Standards/regulations | M12 connector IEC 61076-2-101 |
| | Valve connector EN 175301-803 |
| Status display | Yellow LED |
| Protective circuit/component | Z diode |
| Pulse power W_{max} | 40 W (at 100 μs square-wave pulse) |
| Terminal voltage | 70 V (at 2 mA constant current) |
| Reverse voltage | 50 V |
| Overvoltage category | II |
| Degree of pollution | 3 |
| Connection method | M12 connector |
| Insertion/withdrawal cycles | 50 (Valve connector) |
| | ≥ 100 (M12 connector) |
| Torque | 0.6 Nm (Valve connector) |

Material

| | |
|--|------------------------------|
| Flammability rating according to UL 94 | HB |
| Contact material | CuSn |
| Contact surface material | Ni/Au |
| Contact carrier material | PA66 |
| Valve plug contact material | CuSn |
| Valve plug contact surface material | Sn |
| Valve plug contact insert material | PA 6.6 |
| Material housing valve plug | TPU |
| Material, knurls | Zinc die-cast, nickel-plated |
| Sealing material | TPU (Seal molded) |

Standards and Regulations

| | |
|--|-----------------|
| Standard designation | M12 connector |
| Standards/regulations | IEC 61076-2-101 |
| Standard designation | Valve connector |
| Standards/regulations | EN 175301-803 |
| Flammability rating according to UL 94 | HB |

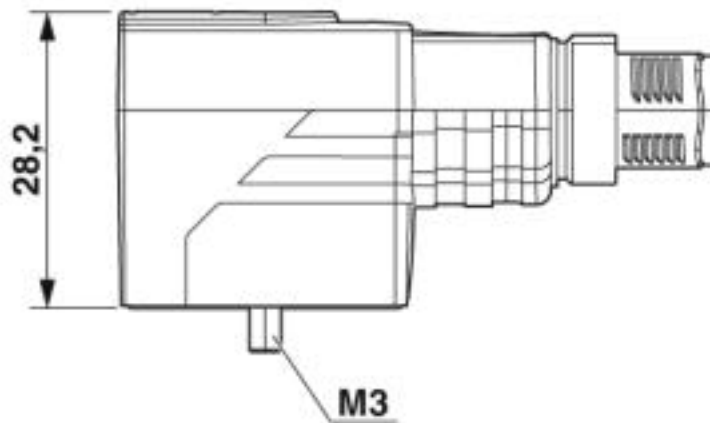
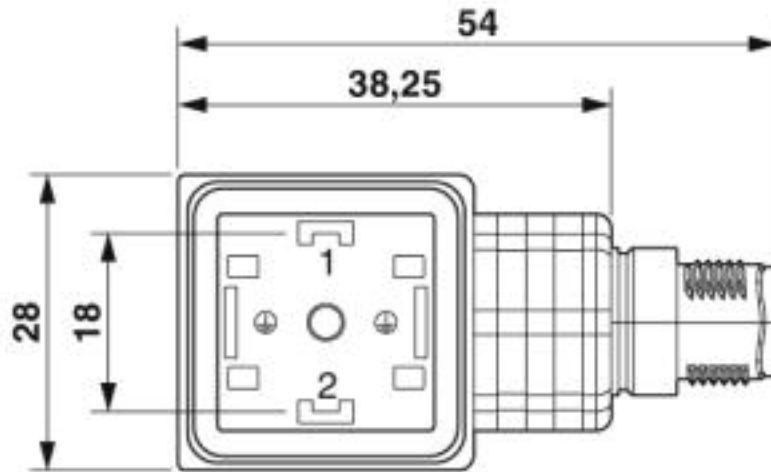
Environmental Product Compliance

| | |
|------------|---|
| China RoHS | Environmentally friendly use period: unlimited = EFUP-e |
| | No hazardous substances above threshold values |

Valve connectors - SAC-3P-MR/A-1L-Z SCO - 1458538

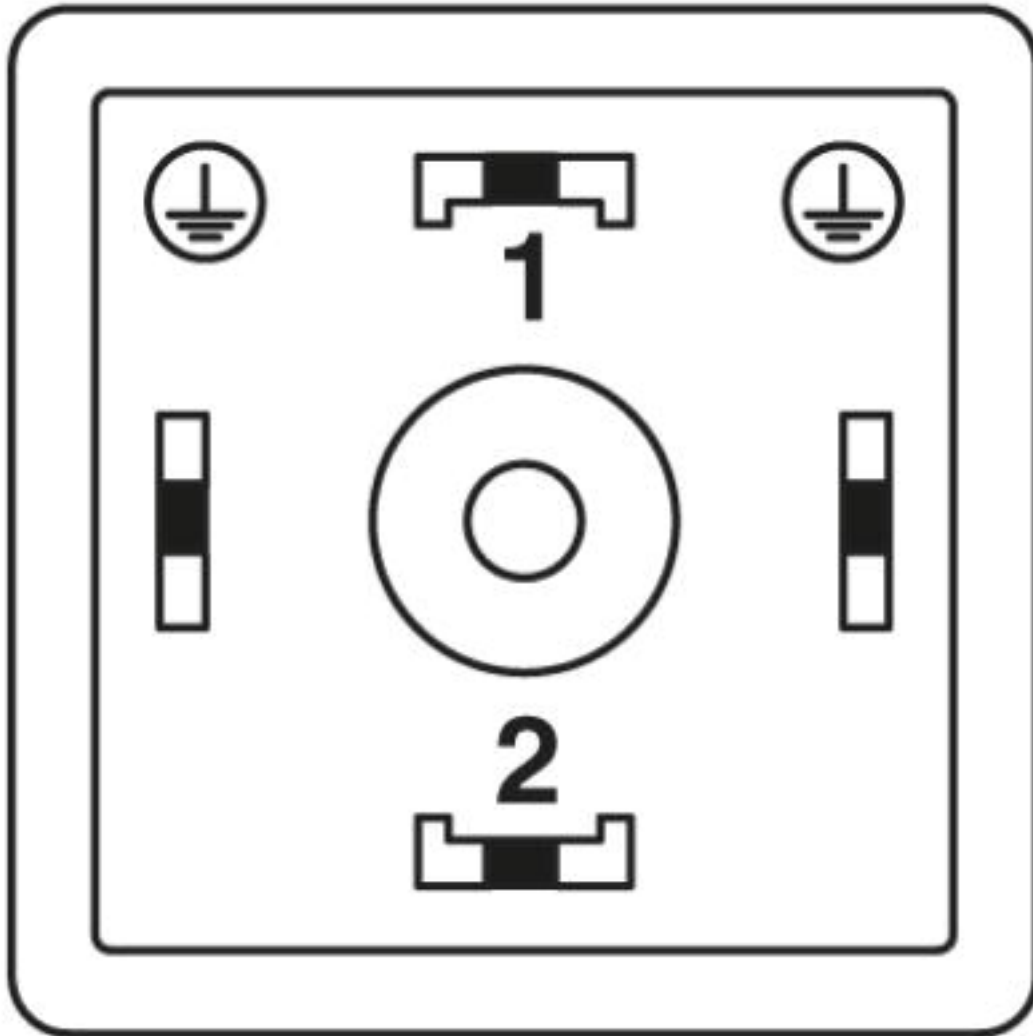
Drawings

Dimensional drawing



Valve connectors - SAC-3P-MR/A-1L-Z SCO - 1458538

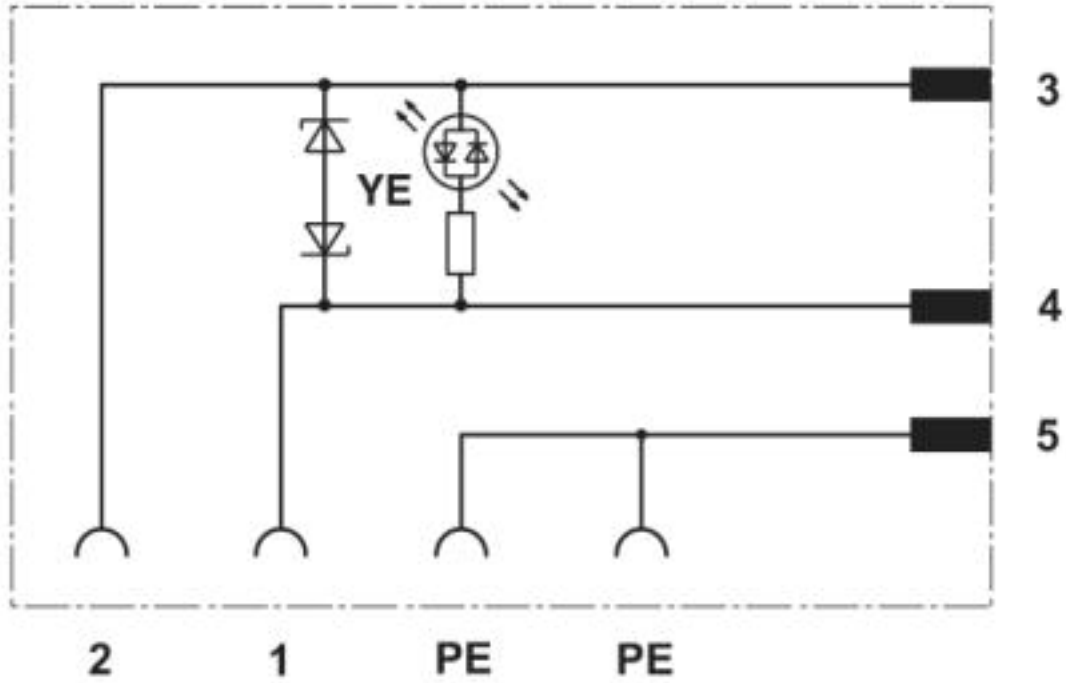
Schematic diagram



Valve connector pin assignment, type A

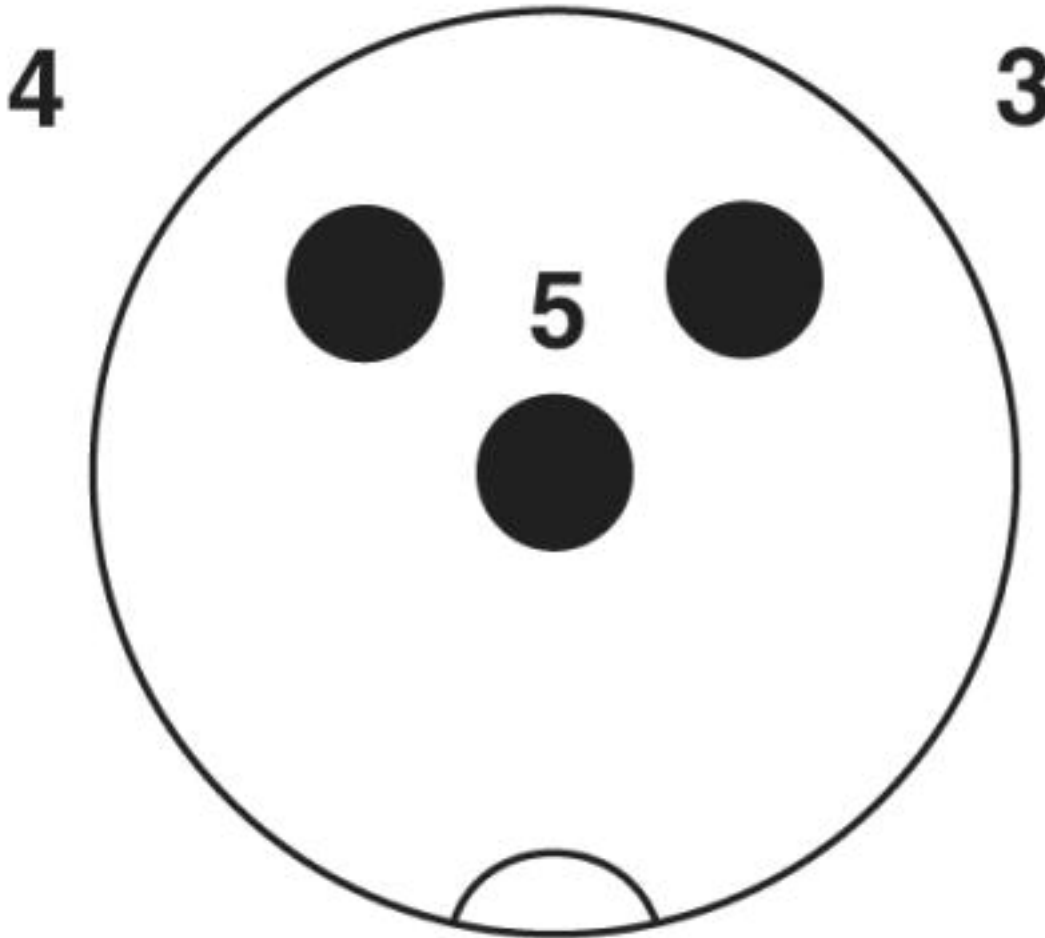
Valve connectors - SAC-3P-MR/A-1L-Z SCO - 1458538

Circuit diagram



Valve connectors - SAC-3P-MR/A-1L-Z SCO - 1458538

Schematic diagram



Pin assignment M12 plug, 3-pos., A-coded, view male side

Classifications

eCl@ss

| | |
|------------|----------|
| eCl@ss 4.0 | 27140800 |
| eCl@ss 4.1 | 27140800 |
| eCl@ss 5.0 | 27143400 |
| eCl@ss 5.1 | 27143400 |
| eCl@ss 6.0 | 27279200 |
| eCl@ss 7.0 | 27440104 |
| eCl@ss 8.0 | 27440104 |
| eCl@ss 9.0 | 27440105 |

Valve connectors - SAC-3P-MR/A-1L-Z SCO - 1458538

Classifications

ETIM

| | |
|----------|----------|
| ETIM 4.0 | EC002062 |
| ETIM 5.0 | EC002062 |
| ETIM 6.0 | EC002925 |
| ETIM 7.0 | EC002925 |

UNSPSC

| | |
|---------------|----------|
| UNSPSC 6.01 | 31251501 |
| UNSPSC 7.0901 | 31251501 |
| UNSPSC 11 | 31251501 |
| UNSPSC 12.01 | 31251501 |
| UNSPSC 13.2 | 32151909 |

Approvals

Approvals

Approvals

DNV GL / EAC

Ex Approvals

Approval details

| | | | |
|--------|--|---|------------|
| DNV GL | | https://approvalfinder.dnvgl.com/ | TAE00002K4 |
|--------|--|---|------------|

| | | | |
|-----|--|--|--------------------------|
| EAC | | | RU C- DE.AI30.B.01102 |
|-----|--|--|--------------------------|

Accessories

Accessories

Screwdriver tools

Valve connectors - SAC-3P-MR/A-1L-Z SCO - 1458538

Accessories

Screw insert - SF-BIT-PH 1-70 - 1212582



Screw bit, PH crosshead, E6.3-1/4" drive, size: PH 1 x 70 mm, hardened, suitable for holder according to DIN 3126-F6.3/ISO 1173

Sensor/actuator cable

Connecting cable - SAC-3P-FS SCO V/.../... - 1406702



Connecting cable, 3-position, Variable cable type, free cable end, on Socket straight M12 SPEEDCON, A-coded, cable length: Free input (0.2 ... 40.0 m), For valve plug adapters

Sensor/actuator cable - SAC-3P-M12MS/3,0-PUR/M12FS 345 - 1402560



Sensor/actuator cable, 3-position, PUR halogen-free, black-gray RAL 7021, Plug straight M12, A-coded, on Socket straight M12, A-coded, cable length: 3 m, For valve connector

Sensor/actuator cable - SAC-3P-M12MS/5,0-PUR/M12FS 345 - 1402561



Sensor/actuator cable, 3-position, PUR halogen-free, black-gray RAL 7021, Plug straight M12, A-coded, on Socket straight M12, A-coded, cable length: 5 m, For valve connector

Sensor/actuator cable - SAC-3P-M12MS/10,0-PUR/M12FS 345 - 1402562



Sensor/actuator cable, 3-position, PUR halogen-free, black-gray RAL 7021, Plug straight M12, A-coded, on Socket straight M12, A-coded, cable length: 10 m, For valve connector

Valve connectors - SAC-3P-MR/A-1L-Z SCO - 1458538

Accessories

Torque tool

Torque screwdriver - TSD-M 1,2NM - 1212224



Torque screw driver, accuracy as per EN ISO 6789 standard, adjustable from 0.3 - 1.2 Nm