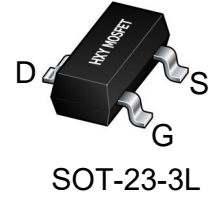




Description

The AO3404A uses advanced trench technology to provide excellent $R_{DS(ON)}$, low gate charge and operation with gate voltages as low as 4.5V. This device is suitable for use as a Battery protection or in other Switching application.



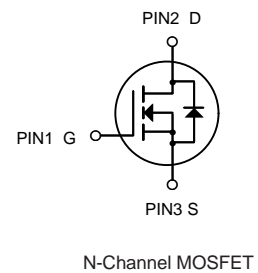
General Features

$V_{DS} = 30V$ $I_D = 5.8A$

$R_{DS(ON)} < 28m\Omega @ V_{GS}=10V$

Application

Battery protection
Load switch
Uninterruptible power supply



Package Marking and Ordering Information

Product ID	Pack	Brand	Qty(PCS)
AO3404A	SOT-23-3L	HXY MOSFET	3000

Absolute Maximum Ratings (TA=25°C unless otherwise noted)

symbol	parameter	limit	unit
V_{DS}	Drain-source voltage	30	V
V_{GS}	Gate-source voltage	± 20	V
I_D	Drain current-continuous ^a @Tj=125°C -pulse d^b	5.8	A
I_{DM}		20	A
I_S	Drain-source Diode forward current	5.8	A
P_D	Maximum power dissipation	1.4	W
T_j	Operating junction Temperature range	-55—150	°C
$R_{th JA}$	Thermal Resistance junction-to ambient	100	°C/W



Electrical Characteristics (TA=25°C unless otherwise noted)

Parameter	Symbol	Condition	Min	Typ	Max	Unit
Drain-source breakdown voltage	BV _{DSS}	V _{GS} =0V, I _D =250μA	30	-	-	V
Zero gate voltage drain current	I _{DSS}	V _{DS} =30V, V _{GS} =0V	-	-	1	μA
Gate-body leakage	I _{GSS}	V _{DS} =0V, V _{GS} =±20V	-	-	±100	nA
Gate threshold voltage	V _{GS(th)}	V _{DS} =V _{GS} , I _D =250μA	0.8	1.4	2.2	V
Drain-source on-state resistance	R _{DS(ON)}	V _{GS} =10V, I _D =5A	-	24	28	mΩ
		V _{GS} =4.5V, I _D =4A		26	32	
Forward transconductance	g _{fs}	V _{GS} =5V, I _D =5A	-	33	-	S
Input capacitance	C _{iSS}	V _{DS} =15V, V _{GS} =0V f=1.0MHz		255		pF
Output capacitance	C _{oss}			45		
Reverse transfer capacitance	C _{rSS}			35		
Turn-on delay time	t _{D(ON)}	V _{DS} =15V V _{GS} =10V R _L =2.6 ohm R _{GEN} =3ohm	-	4.5	-	ns
Rise time	t _r		-	2.5	-	
Turn-off delay time	t _{D(OFF)}		-	14.5	-	
Fall time	t _f		-	3.5	-	
Total gate charge	Q _g	V _{DS} =15V, I _D =5.8A V _{GS} =10V	-	5.2	-	nC
Gate-source charge	Q _{gs}		-	0.85	-	
Gate-drain charge	Q _{gd}		-	1.3	-	
Diode forward voltage	V _{SD}	V _{GS} =0V, I _s =1A	-	0.76	1.16	V

Notes:

- 1、 surface mounted on FR4 board, t≤10sec
- 2、 pulse test: pulse width≤300μs, duty≤2%
- 3、 guaranteed by design, not subject to production testing



Typical Performance Characteristics

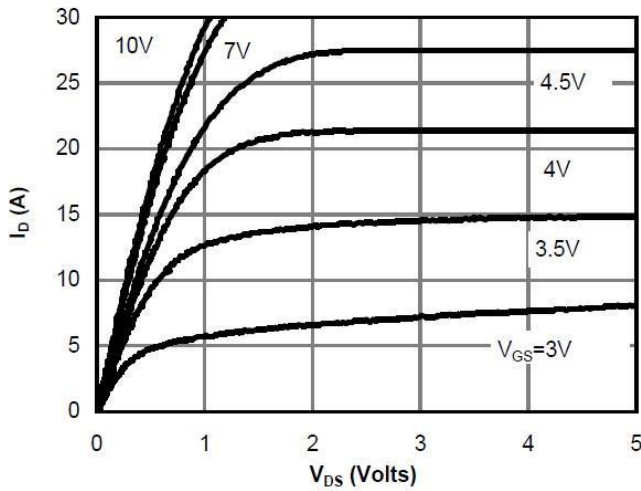


Figure 1: On-Region Characteristics

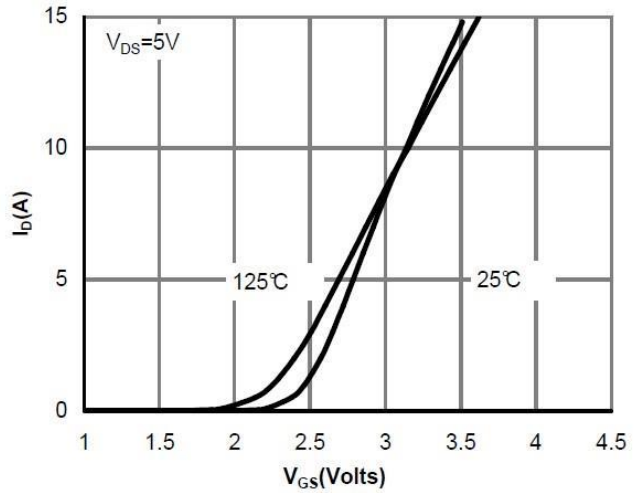


Figure 2: Transfer Characteristics

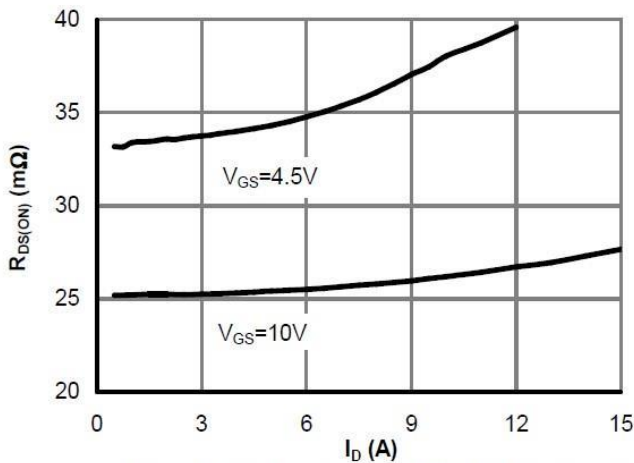


Figure 3: On-Resistance vs. Drain Current and Gate Voltage

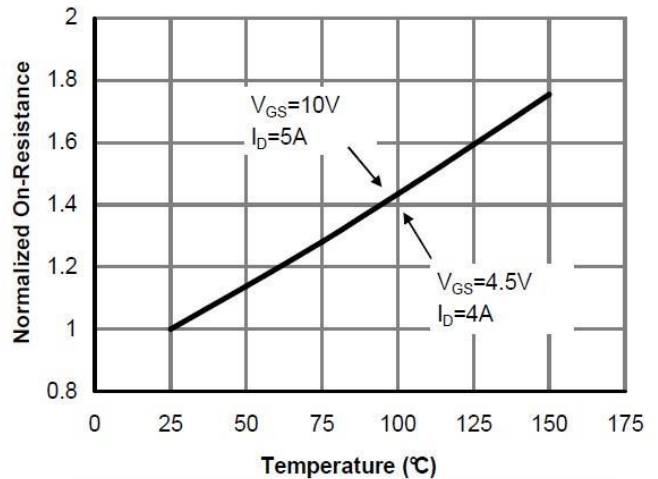


Figure 4: On-Resistance vs. Junction Temperature

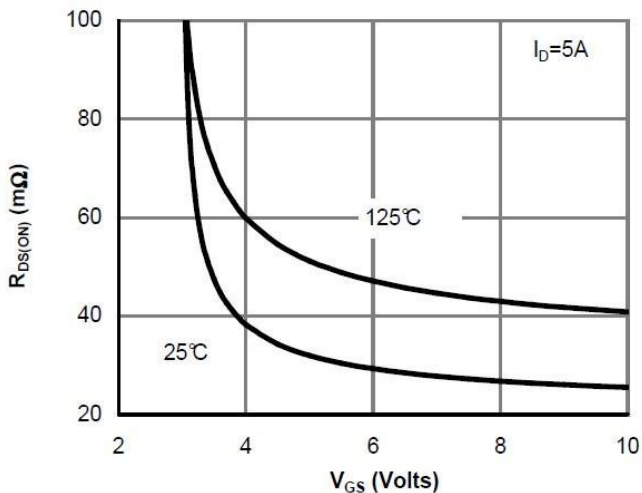


Figure 5: On-Resistance vs. Gate-Source Voltage

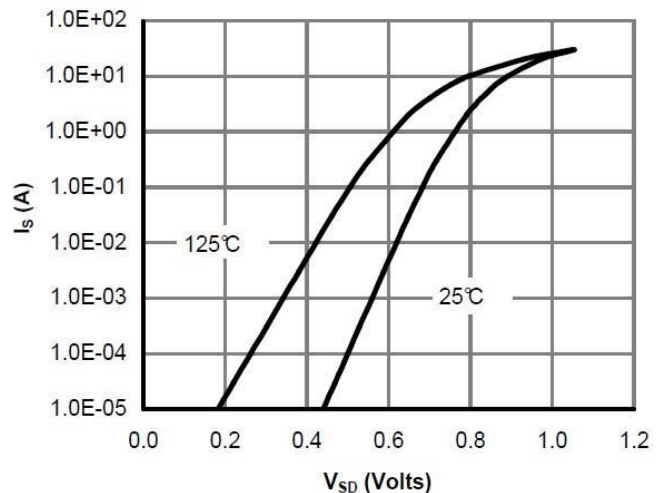


Figure 6: Body-Diode Characteristics

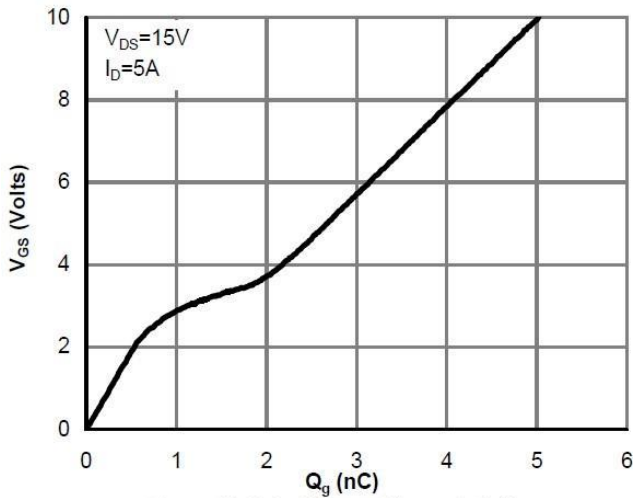


Figure 7: Gate-Charge Characteristics

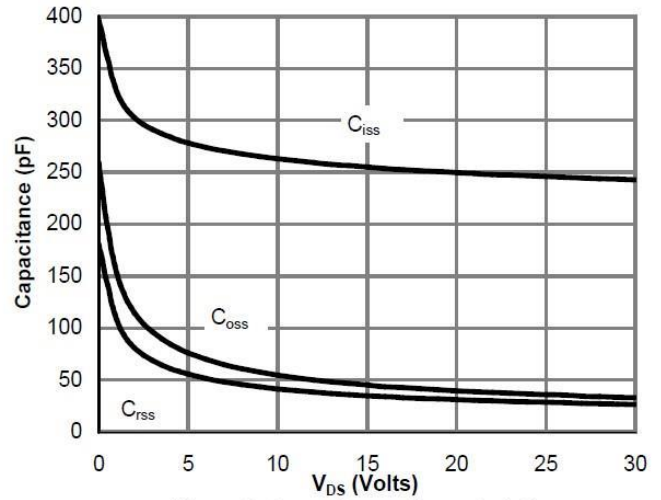


Figure 8: Capacitance Characteristics

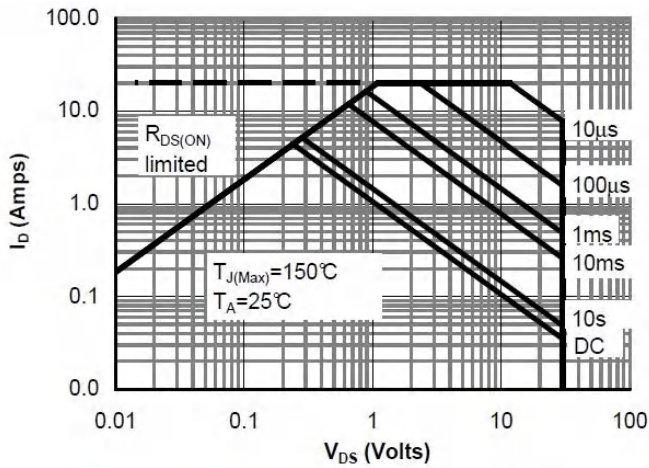


Figure 10: Maximum Forward Biased Safe Operating Area

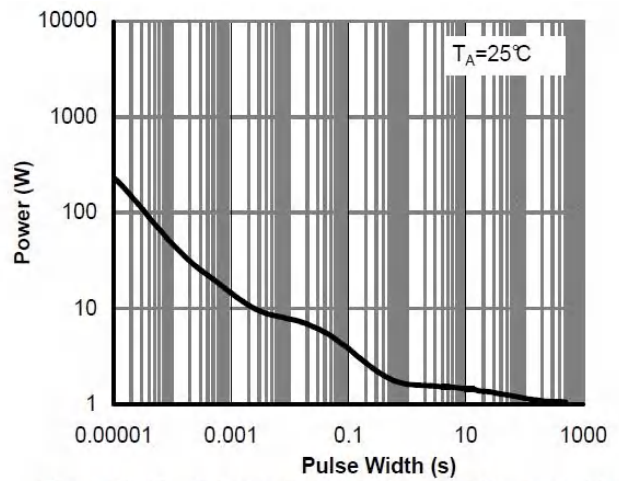


Figure 11: Single Pulse Power Rating Junction-to-Ambient

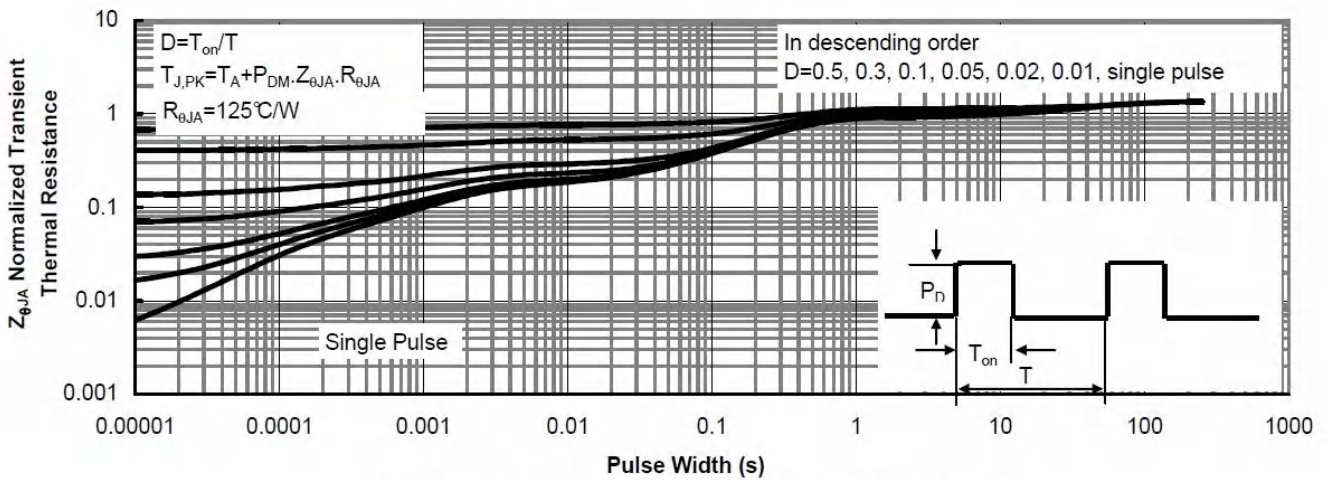
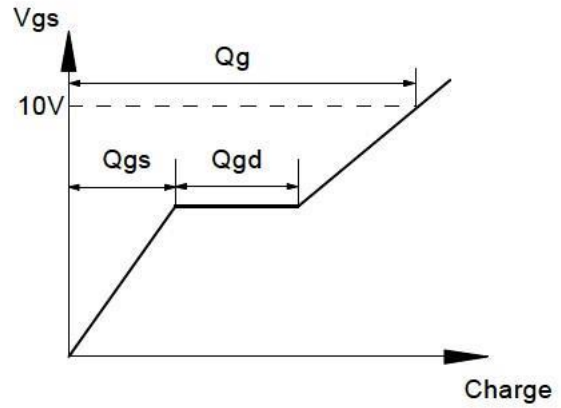
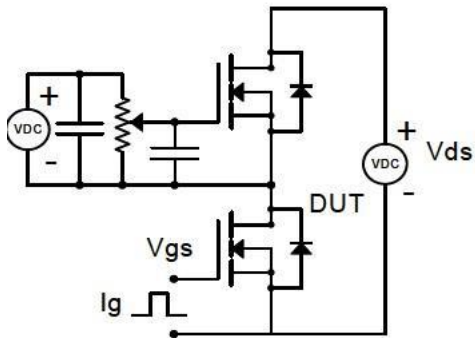


Figure 12: Normalized Maximum Transient Thermal Impedance

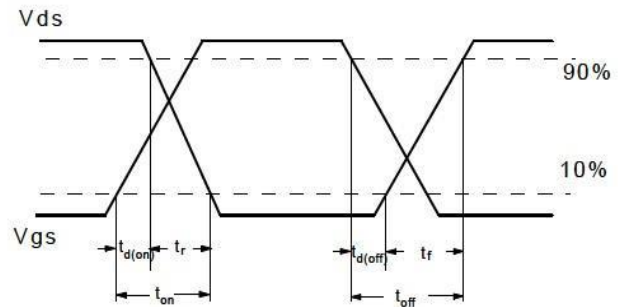
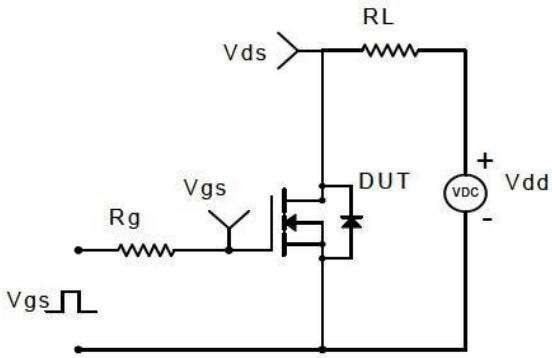


Gate Charge Test Circuit & Waveform

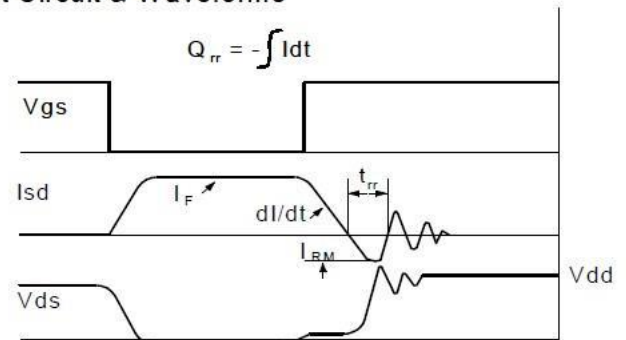
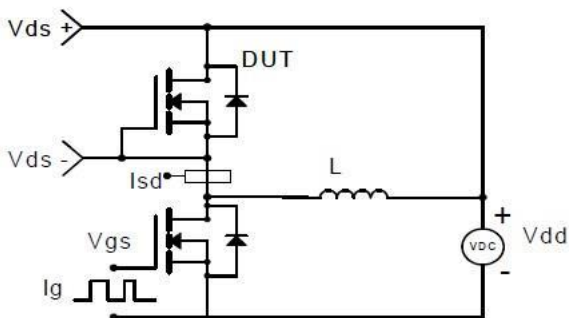


Resistive Switching Test Circuit & Waveforms

Resistive Switching Test Circuit & Waveforms

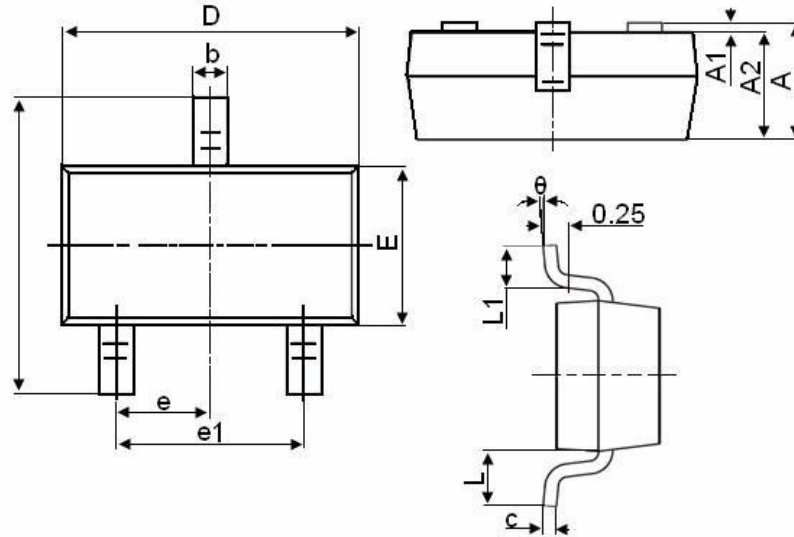


Diode Recovery Test Circuit & Waveforms





SOT-23-3L Package Information



Symbol	Dimensions in Millimeters	
	MIN.	MAX.
A	1.050	1.250
A1	0.000	0.100
A2	1.050	1.150
b	0.300	0.500
c	0.100	0.200
D	2.800	3.000
E	1.500	1.700
E1	2.650	2.950
e	0.950TYP	
e1	1.800	2.000
L	0.550REF	
L1	0.300	0.600
θ	0°	8°



Attention

- Any and all HUA XUAN YANG ELECTRONICS products described or contained herein do not have specifications that can handle applications that require extremely high levels of reliability, such as life-support systems, aircraft's control systems, or other applications whose failure can be reasonably expected to result in serious physical and/or material damage. Consult with your HUA XUAN YANG ELECTRONICS representative nearest you before using any HUA XUAN YANG ELECTRONICS products described or contained herein in such applications.
- HUA XUAN YANG ELECTRONICS assumes no responsibility for equipment failures that result from using products at values that exceed, even momentarily, rated values (such as maximum ratings, operating condition ranges, or other parameters) listed in products specifications of any and all HUA XUAN YANG ELECTRONICS products described or contained herein.
- Specifications of any and all HUA XUAN YANG ELECTRONICS products described or contained herein stipulate the performance, characteristics, and functions of the described products in the independent state, and are not guarantees of the performance, characteristics, and functions of the described products as mounted in the customer's products or equipment. To verify symptoms and states that cannot be evaluated in an independent device, the customer should always evaluate and test devices mounted in the customer's products or equipment.
- HUA XUAN YANG ELECTRONICS CO.,LTD. strives to supply high-quality high-reliability products. However, any and all semiconductor products fail with some probability. It is possible that these probabilistic failures could give rise to accidents or events that could endanger human lives, that could give rise to smoke or fire, or that could cause damage to other property. When designing equipment, adopt safety measures so that these kinds of accidents or events cannot occur. Such measures include but are not limited to protective circuits and error prevention circuits for safe design, redundant design, and structural design.
- In the event that any or all HUA XUAN YANG ELECTRONICS products(including technical data, services) described or contained herein are controlled under any of applicable local export control laws and regulations, such products must not be exported without obtaining the export license from the authorities concerned in accordance with the above law.
- No part of this publication may be reproduced or transmitted in any form or by any means, electronic or mechanical, including photocopying and recording, or any information storage or retrieval system, or otherwise, without the prior written permission of HUA XUAN YANG ELECTRONICS CO.,LTD.
- Information (including circuit diagrams and circuit parameters) herein is for example only ; it is not guaranteed for volume production. HUA XUAN YANG ELECTRONICS believes information herein is accurate and reliable, but no guarantees are made or implied regarding its use or any infringements of intellectual property rights or other rights of third parties.
- Any and all information described or contained herein are subject to change without notice due to product/technology improvement, etc. When designing equipment, refer to the "Delivery Specification" for the HUA XUAN YANG ELECTRONICS product that you intend to use.