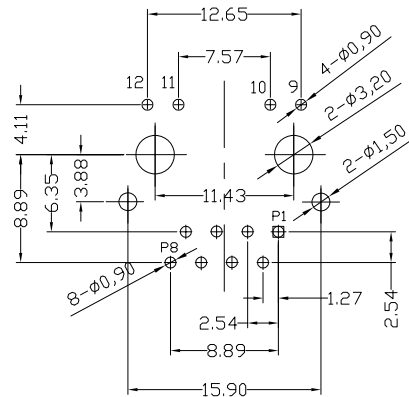
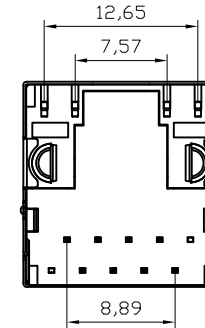
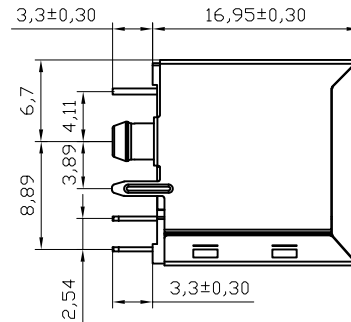
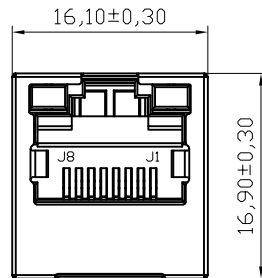
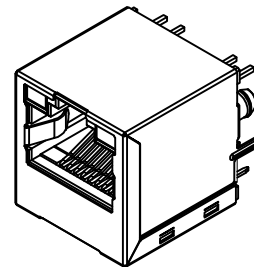


RoHS&REACH

ECN NO.	DESCRIPTION	DATE
A-1	NEW	2022.5.2



RECOMMENDED P.C.B LAYOUT(PCB THICKNESS: 1.6mm)  
COMPONENT SIDE VIEW(TOLERANCE: ±0.05mm)



Connect Material:

- Housing: Thermoplastic, PBT,UL94V-0, Color: Black;
- Insert: Thermoplastic, PBT,UL 94V-0, Color: Black;
- Shield: Brass T=0.2mm, 20u" Min Nickel Overall Plated;
- Input Terminal: Brass T=0.35mm, 40u" Min Ni UnderPlated Overall,80u" Min Tin On Solder Area;
- RJ45 Terminal: Phosphor Bronze T=0.30mm, 40u" Min Ni UnderPlated Overall, 80u" Min Tin On Solder Area; Selective 6u" Gold Plated On Contact Area;

52T1 - X X X X X X X X X

Ports	Base	Tab	Led Style	Shield	POE	GND	Plastic	Gold Plating
1-1x1 Ports	1-10 Base	1-Tab Up	0-w/0 Led	0-w/0 Shield	0-w/0 POE	1-N	1-PBT	1-Fu"
2-1x2 Ports	2-10/100 Base	2-Tab Down	1-Y/G	1-Shield w/EMI	1-POE 350mA	2-Shield	2-PA46	2-1u"
3-1x3 Ports	3-1000 Base		2-G/Y	2-Shield w/0 EMI	2-POE+ 720MA		3-Other	3-3u"
4-1x4 Ports	4-2.5G Base		3-R/G		2-POE++ 840MA†			4-6u"
5-1x5 Ports	5-5G Base		4-G/R					5-Other
6-1x6 Ports	6-10G Base		5-Y/Y					
7-1x7 Ports			6-G/G					
8-1x8 Ports			7-Other					

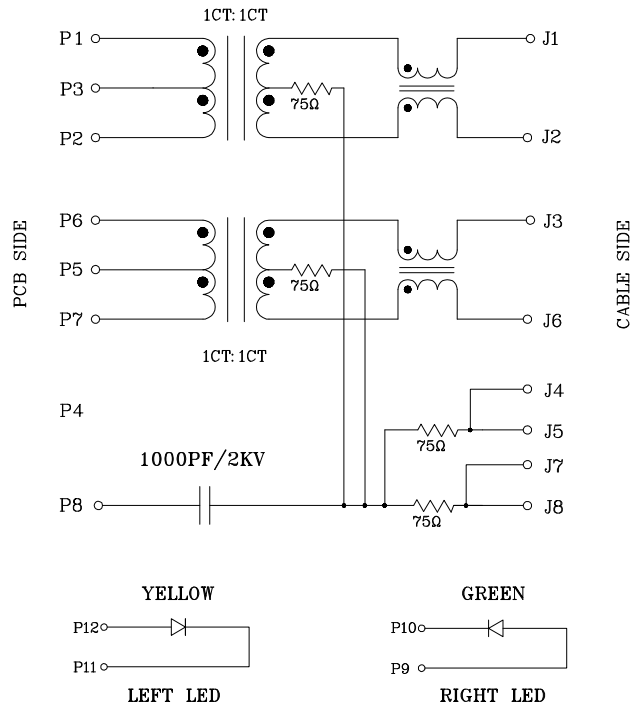
未注公差	设计	X.C.S	比例	1: 1
尺寸标注	公差	审核	单位	mm
X	±0.35 ±2.0°	Z.J.G	图幅	A4
X	±0.30 ±1.5°	批准	版本	A-1
XX	±0.25 ±1.0°	批注	图数	第1页 共2页
XXX	±0.10 ±0.5°	角法		

**H** 恒连电子科技有限公司  
EVERCOM ELECTRONIC TECHNOLOGY CO.,LTD

http://www.chinarj45.com  
产品型号 52T1 1X1 TAB-UP 100Base 屏蔽无弹带灯  
产品编号 52T1-1211208XX 图纸编号

RoHS&REACH

ECN NO.	DESCRIPTION	DATE
A-1	NEW	2022.5.2



ELECTRICAL SPECIFICATIONS@25°C UNLESS OTHERWISE NOTED:

- 1.Turn Ratio(+/-5%): 1CT:1CT
- 2.Inductance OCL: 350uH Min @100KHz/0.1V/ 8mA DC Bias
- 3.Insertion Loss:
  - 1.0dB Max 1-100MHz
- 4.Return Loss:
  - 18dB Min 1-30MHz
  - 15dB Min 30-60MHz
  - 12dB Min 60-80MHz
  - 10dB Min 80-100MHz
- 5.Cross talk:
  - 30dB Min 1-100MHz
- 6.Common Mode Rejection:
  - 30dB Min 1-100MHz
- 7.Hipot Test:
  - 2250VDC 3S 1mA Max
- 8.Operating Temperature Range: 0°C ~ +70°C
- 9.Storage Temperature Range: -40°C ~ +85°C
- 10.The Part Is Recommended For Wave Soldering Process .
- 11.RJ45 Meets IEEE 802.3 Standards.
- 12.RJ45 Cavities Conform To FCC Rules And Regulation Part 68 Subpart F.
- 13.LED Specification:

Emitting Color	λd (nm)typ	Vf@If=20mA	Ir@Vr=5V
GREEN	565nm	1.8-2.4V	10uA Max
YELLOW	585nm	1.8-2.4V	10uA Max

未注公差	设计	X.C.S	比例	1: 1
尺寸标注	公差	审核	单位	mm
X	±0.35 ±2.0°	批准	图幅	A4
X	±0.30 ±1.5°	批注	版本	A-1
XX	±0.25 ±1.0°	角法	图数	第2页 共2页
XXX	±0.10 ±0.5°			

**H**® 恒连电子科技有限公司  
EVERCOM ELECTRONIC TECHNOLOGY CO.,LTD

http://www.chinarj45.com  
产品型号 52T1 1X1 TAB-UP 100Base 屏蔽无弹带灯  
产品编号 52T1-1211208XX 图纸编号