

DLM0NSN900HY2#

“#” indicates a package specification code.

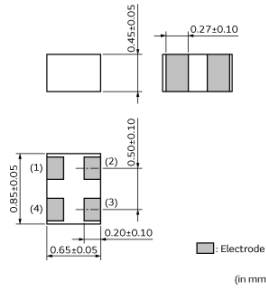


< List of part numbers with package codes >

DLM0NSN900HY2B DLM0NSN900HY2D

Appearance & Shape

Features



1. Small size and tight dimensional tolerance
Size:0.85x0.65x0.45mm
Tolerance:+-0.05mm
2. High common mode impedance up to 90ohm (at 100MHz) is available.
3. DLM0NSN series enables noise suppression for differential signal line without distortion in high-speed signal transmission due to its line impedance matching.
4. High Cut-off Frequency.

Applications

| | |
|---------------|--|
| Limited Usage | For differential signal interface line |
| Other Usage | For general |

Packaging Information

| Packaging | Specifications | Minimum Order Quantity |
|-----------|------------------|------------------------|
| B | Bulk(Bag) | 500 |
| D | 180mm Paper Tape | 10000 |

Attention

1.This datasheet is downloaded from the website of Murata Manufacturing Co., Ltd. Therefore, it's specifications are subject to change or our products in it may be discontinued without advance notice. Please check with our sales representatives or product engineers before ordering.
2.This datasheet has only typical specifications because there is no space for detailed specifications.
Therefore, please review our product specifications or consult the approval sheet for product specifications before ordering.

DLM0NSN900HY2#

“#” indicates a package specification code.



Specifications

| | | | |
|---|----------|--|---------------|
| Shape | SMD | Cut-off Frequency | 2.0GHz (Typ.) |
| Size Code (in mm) | 0806 | Operating Temperature Range | -40°C to 85°C |
| Size Code (in inch) | 03025 | Mass(typ.) | 0.9mg |
| Length | 0.85mm | Number of Circuit | 1 |
| Length Tolerance | ±0.05mm | Operating Temperature Range(Self-temperature rise is included) | No |
| Width | 0.65mm | | |
| Width Tolerance | ±0.05mm | | |
| Thickness | 0.45mm | | |
| Thickness Tolerance | ±0.05mm | | |
| Common Mode Impedance (at 100MHz) | 90Ω | | |
| Common Mode Impedance (at 100MHz) Tolerance | ±25% | | |
| Rated Current | 100mA | | |
| Rated Voltage | 5Vdc | | |
| Withstanding Voltage | 12.5Vdc | | |
| DC Resistance(max.) | 5Ω | | |
| DC Resistance | 4.0Ω±25% | | |
| Insulation Resistance(min.) | 10MΩ | | |

Attention

1.This datasheet is downloaded from the website of Murata Manufacturing Co., Ltd. Therefore, it's specifications are subject to change or our products in it may be discontinued without advance notice. Please check with our sales representatives or product engineers before ordering.

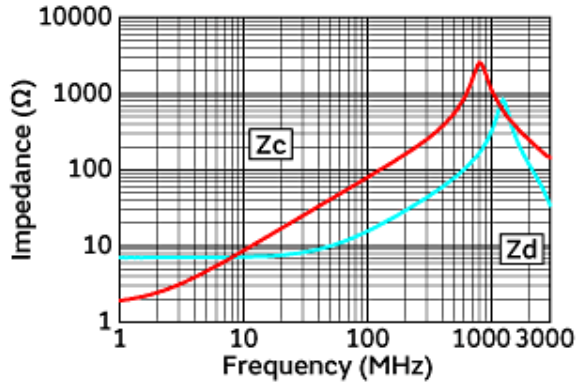
2.This datasheet has only typical specifications because there is no space for detailed specifications.

Therefore, please review our product specifications or consult the approval sheet for product specifications before ordering.

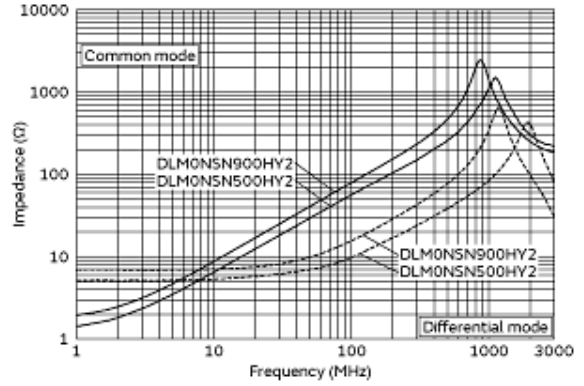
DLM0NSN900HY2#

"#" indicates a package specification code.

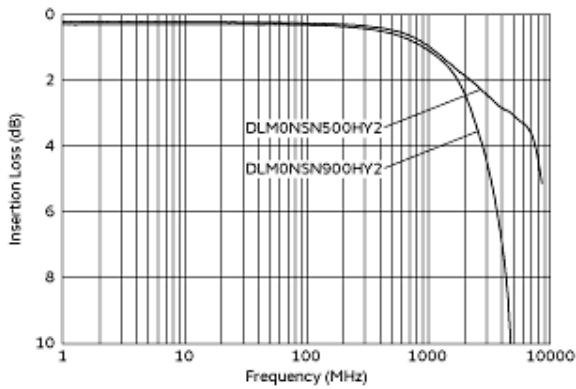
Product Data



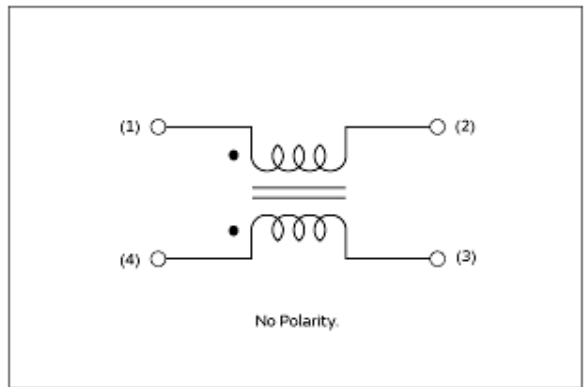
Impedance-Frequency Characteristics



Impedance-Frequency Characteristics (Main Items)



Differential Mode Transmission Characteristics (Typical Value)



Equivalent Circuit

Attention

- 1.This datasheet is downloaded from the website of Murata Manufacturing Co., Ltd. Therefore, it's specifications are subject to change or our products in it may be discontinued without advance notice. Please check with our sales representatives or product engineers before ordering.
- 2.This datasheet has only typical specifications because there is no space for detailed specifications. Therefore, please review our product specifications or consult the approval sheet for product specifications before ordering.