

26PC\_F\_IG

CATALOG LISTING	LASER BRAND/8
26PCAFBIG	6AFIG
26PCDFIG	6DFIG
26PCBFIG	6BFIG
26PCCFIG	6CFIG
26PCCFSIG	6CFIG
26PCDFSIG	6DFIG
26PCFFBIG	6FFIG

- STYLE  
(G) GAGE  
TERMINATION  
(I) 1 X 4 (.40 IN.)  
PORT  
(A) STRAIGHT  
(B) BARB  
(C) LUER  
(D) MODULAR  
(S) MANIFOLD MOUNT

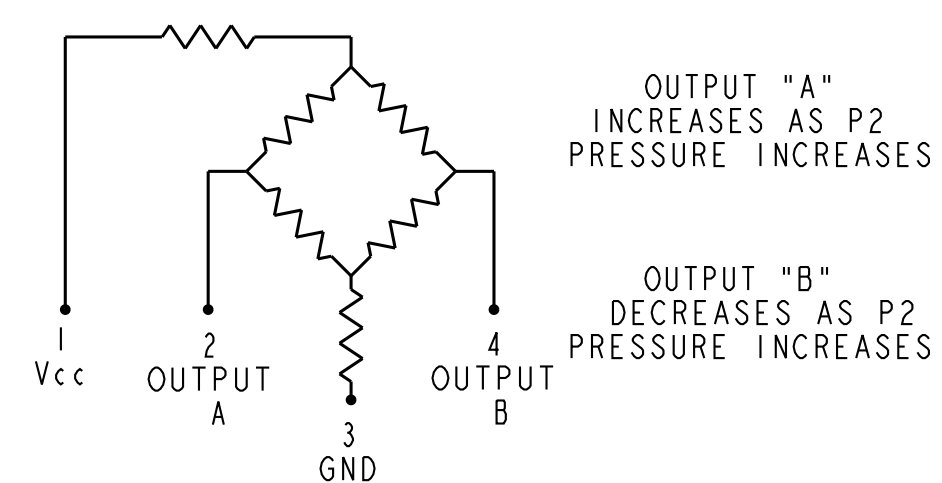
- SEAL  
(F) FLUOROSILICONE  
PRESSURE  
(A) 1 PSI  
(B) 5 PSI  
(C) 15 PSI  
(D) 30 PSI  
(F) 100 PSI

- NOTES  
1 SPAN IS THE ALGEBRAIC DIFFERENCE BETWEEN OUTPUT AT MAXIMUM RATED OPERATING PRESSURE AND OUTPUT AT 0 PSI  
2 TEMPERATURE ERROR IS CALCULATED WITH RESPECT TO 25°C  
3 INPUT MEDIA MILITED ONLY TO THOSE MATERIALS THAT WILL NOT ATTACK SILICON, THE HOUSING MATERIAL OR SEAL MATERIAL  
4 TERMINALS ARE PLATED FOR SOLDERING (LIMIT SOLDERING TO 315°C FOR 10 SECOND MAXIMUM)  
5 PIN 1 IDENTIFIED BY NOTCH IN LEAD  
6 SENSOR IS OPERATIONAL OVER VACUUM PRESSURE RANGE  
7 RATIO METRIC TO SUPPLY VOLTAGE  
8 LASER BRAND CATALOG LISTING AND DATE CODE. ALTERNATE FORMAT OF CATALOG LISTING BRAND IS THE ENTIRE CATALOG LISTING

GENERAL OPERATING CHARACTERISTICS  
(ELECTRICAL PERFORMANCE AT 10.00 ±0.01 VDC EXCITATION, 25°C)

PRESSURE RANGE (PSI)	0 - 1			0 - 5			0 - 15			0 - 30			0 - 100			UNITS
	MIN	NOM	MAX	MIN	NOM	MAX	MIN	NOM	MAX	MIN	NOM	MAX	MIN	NOM	MAX	
SPAN (P2>P1)	14.7	16.7	18.7	47	50	53	97	100	103	97	100	103	95	100	105	mV
NULL OFFSET	-1.5	0	+1.5	-1.5	0	+1.5	-1.5	0	+1.5	-1.5	0	+1.5	-2.0	0	+2.0	mV
		TYP	MAX		TYP	MAX		TYP	MAX		TYP	MAX		TYP	MAX	UNITS
LINEARITY (BFSL, P2>P1)		0.25	0.5		0.4	0.5		0.25	0.5		0.1	0.2		0.4	0.6	%SPAN
NULL SHIFT (0 TO 25°C, 25 TO 50°C) / 2		±0.5	±1.0		±0.5	±1.0		±0.5	±1.0		±0.75	±1.5		±1.0	±2.0	mV
SPAN SHIFT (0 TO 25°C, 25 TO 50°C) P2>P1/2		±1.0	±2.0		±1.0	±1.5		±0.75	±1.5		±0.75	±1.5		±0.5	±1.5	%SPAN
REPEATABILITY AND HYSTERESIS		±0.5			±0.2			±0.2			±0.2			±0.2		%SPAN
OVERPRESSURE (P2>P1; P1>P2)			20			20			45			60			200	PSI
ALL PRESSURE RANGES		MIN	NOM	MAX		MIN	NOM	MAX		MIN	NOM	MAX		MIN	NOM	MAX
EXCITATION VOLTAGE			10	16												VDC
INPUT RESISTANCE		5.5K	7.5K	11.5K												OHMS
OUTPUT RESISTANCE		1.5K	2.5K	3.0K												OHMS
RESPONSE TIME				1.0												ms
TEMPERATURE RANGES																
STORAGE				-55°C TO +100°C (-67°F TO +212°F)												
OPERATE				-40°C TO +85°C (-40°F TO +185°F)												
COMPENSATED				0 TO +50°C (+32°F TO +122°F)												

CIRCUIT DIAGRAM



THIRD ANGLE PROJECTION

SCALE 3 : 1

DO NOT SCALE PRINT

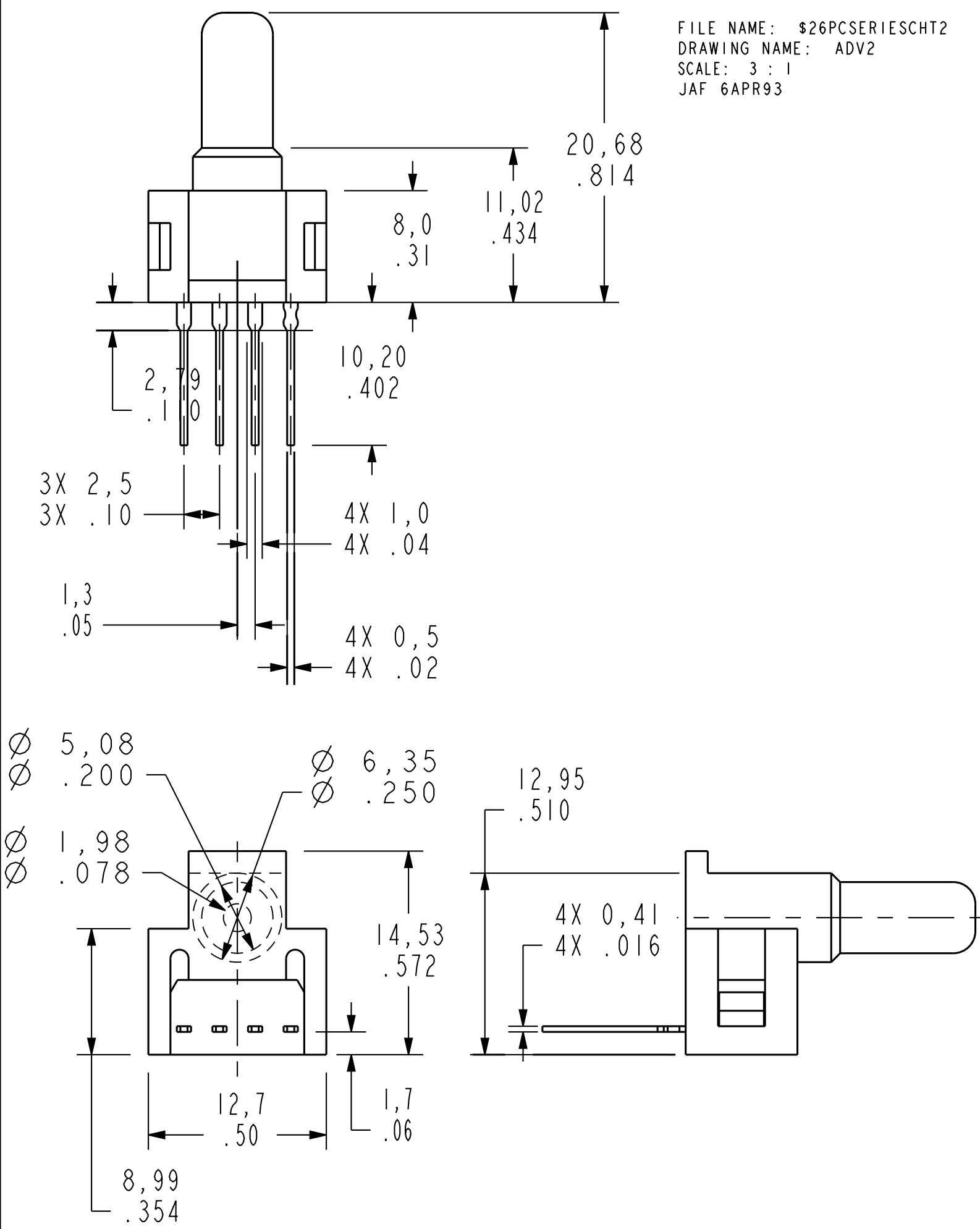
UNLESS OTHERWISE SPECIFIED TOLERANCES ARE

ONE PLACE (.0) +.030  
TWO PLACE (.00) +.015  
THREE PLACE (.000) +.005  
ANGLES °

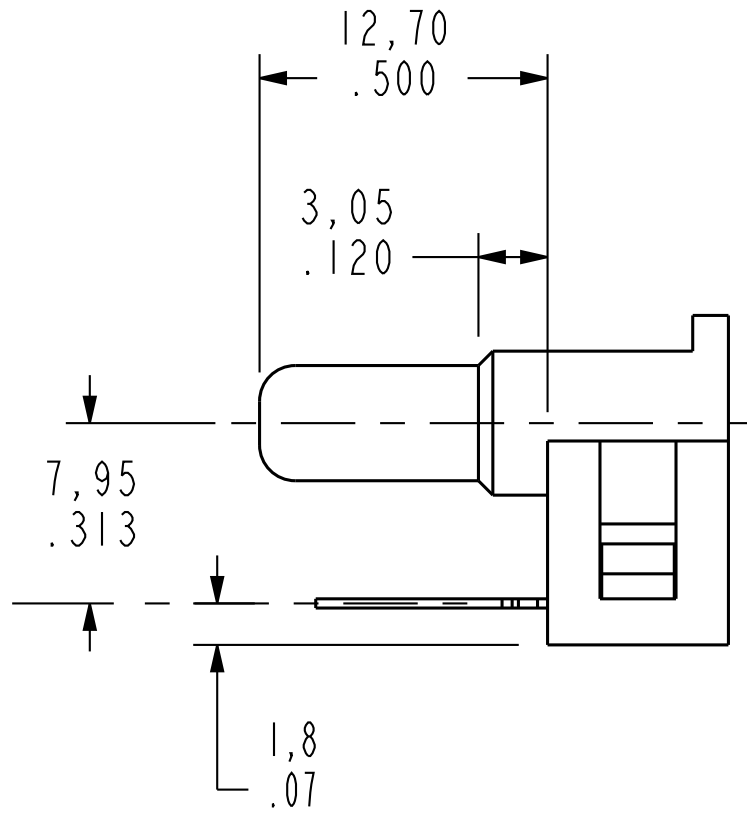
WEIGHT 2.0Z



FILE NAME: \$26PCSERIESCHT2  
DRAWING NAME: ADV2  
SCALE: 3 : 1  
JAF 6APR93







FILE NAME: \$26PCSERIESCHT2  
DRAWING NAME: RIGHT  
SCALE: 3 : 1  
SLO: ADV4  
DRAWN: JAF 29 NOV 93