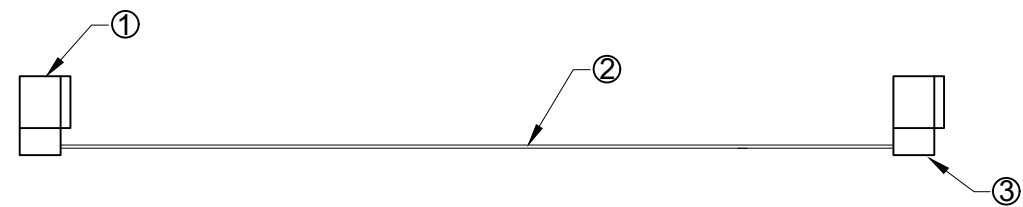
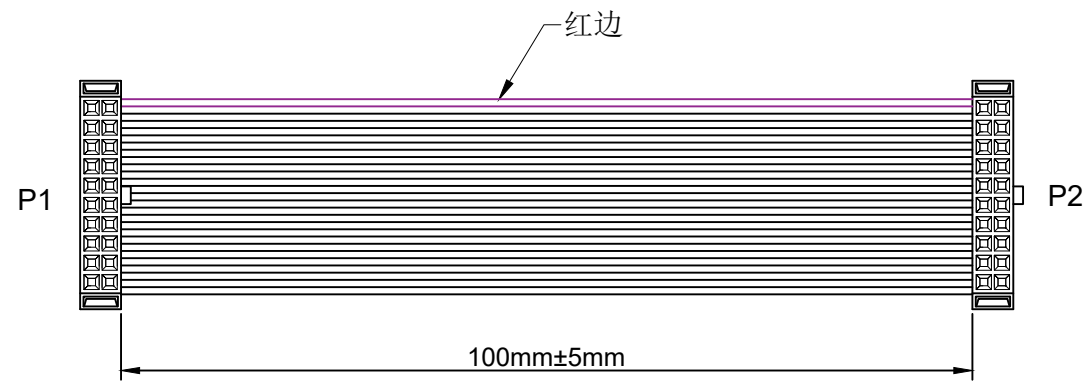


RoHS

REV	ECN NO.	DESCRIPTION	DESIGN	APPROVAL	DATE
A1	NEW	更换图框			2023.11.25

*MATERIAL (IDC)
 INSULATOR: PBT (UL 94V-0)
 Contact: Copper Alloy.
 Contact Plated: Gold or Tin over Nickel Plated.
 *SPECIFICATIONS
 TEMPERATURE RANGE: -20°C TO 105°C
 CONTACT RESISTANCE: 3Ω MAX.
 INSULATION RESISTANCE: 5MΩ MIN.
 WITHSTANDING VOLTAGE: 300V 10S



序号	名称	规格描述	数量
①	插头	IDC-20P 1.27mm	2
②	电线	UL2678 30AWG 0.635间距灰排 7/0.10TS	20P
③	卡扣	一个凸点朝外, 一个凸点朝内同向20P (1.27mm)	2

X.±0.50	X.°±
.X±0.25	.X°±
.XX±0.15	.xx°±
.XXX±0.10	.xxx°±
UNITS:	mm

THESE DRAWINGS AND SPECIFICATIONS ARE THE PROPERTY OF XFCN AND SHALL NOT BE REPRODUCED, COPIED OR CUED IN ANY MANNER WITHOUT THE PRIOR WRITTEN CONSENT OF XFCN

PART NO: CL1272220100BQ10E		XFCN 兴飞连接器		
TITLE: 灰排线两端IDC1.27/20P L=100mm 不含插头		0769-82001899		
		www.xfconn.com		
APPD		DWG NO: /		
CHKD		VIEW		
DRAW	Wang	SCALE	SHEET	REV
DATE	2023.11.25	NONE	1:1	A1