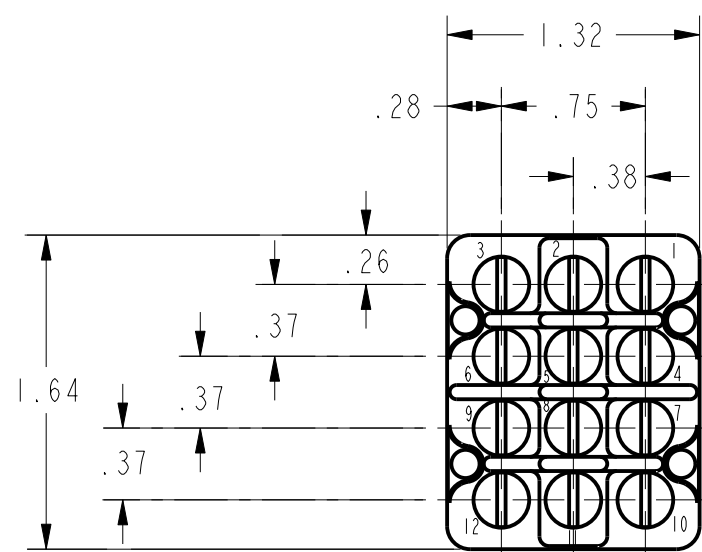
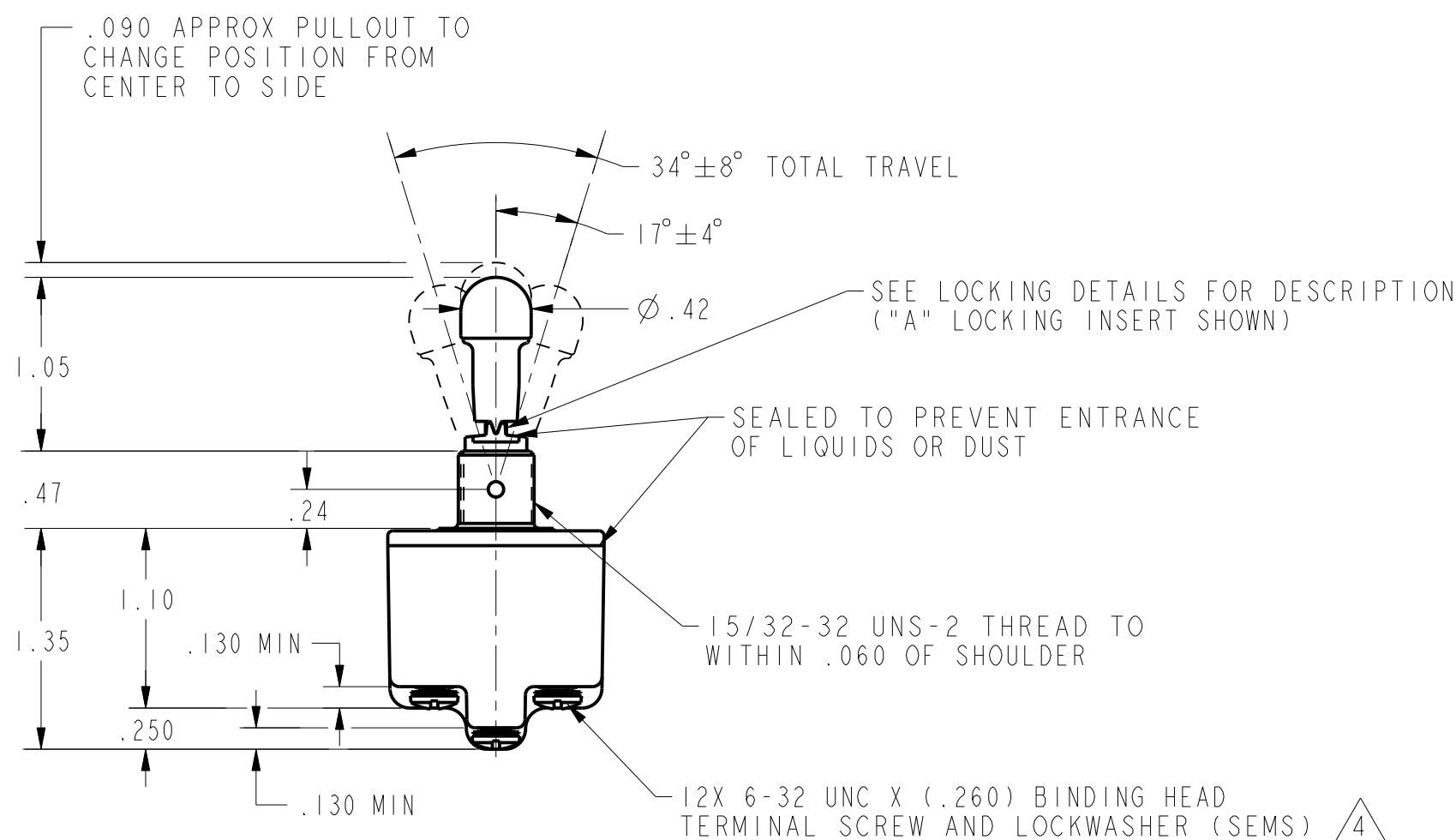
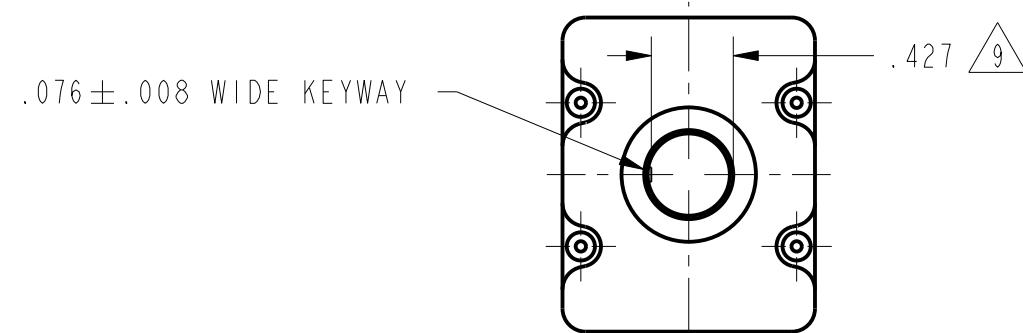


HONEYWELL  
PART NUMBER  
4TL887 SERIES CHART 2

REV	DOCUMENT	CHANGED BY	CHECK
4	0012521	BM 20APR05	AK

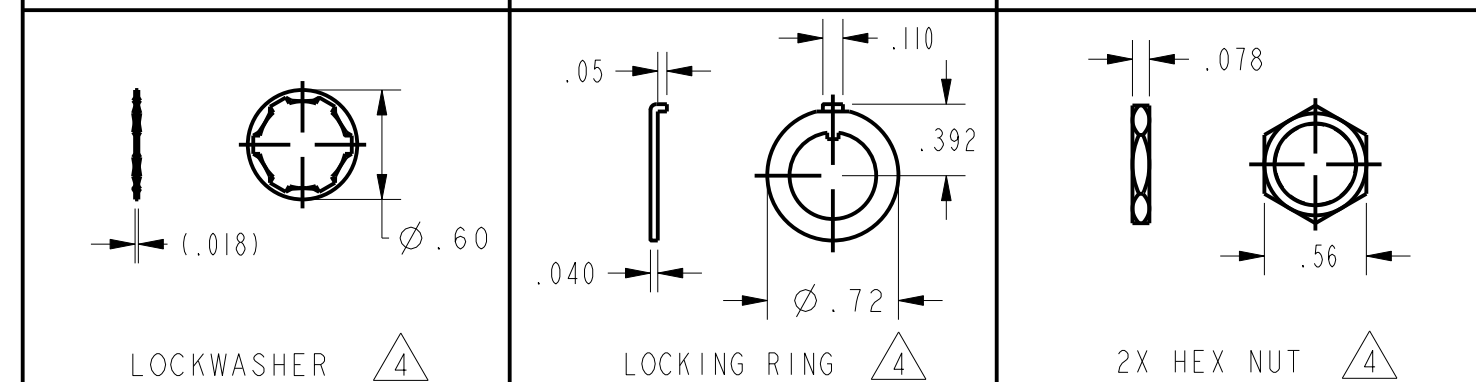
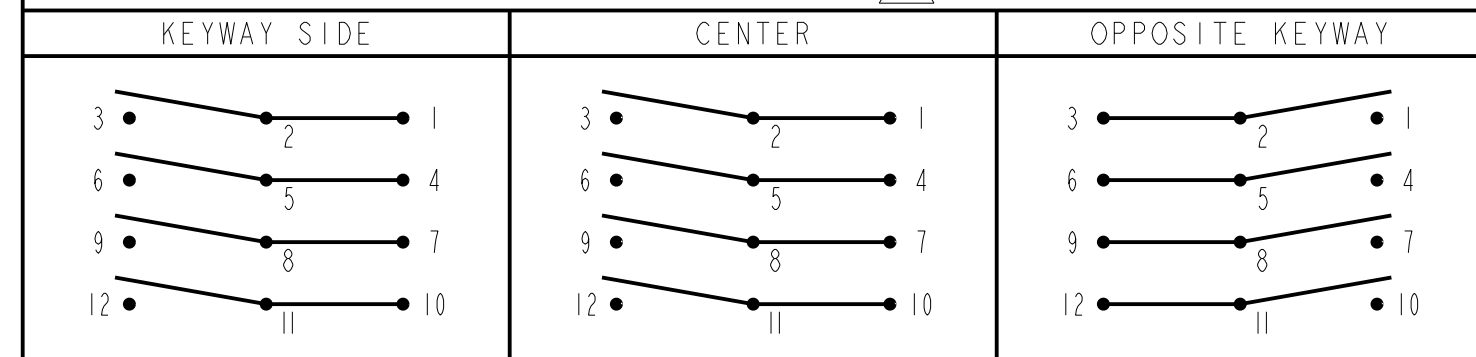


- NOTES
- SWITCHES ARE CAPABLE OF WITHSTANDING A TEMPERATURE OF 160°F CONTINUOUSLY AT FULL RATED LOAD
  - CIRCUIT DESIGNATION AND MICRO SWITCH CATALOG LISTING MARKED ON SIDE OF SWITCH
  - KEYWAY SHOWN ON LEFT SIDE
  - FURNISHED UNASSEMBLED
  - FOR TERMINAL COVER SEE MICRO SWITCH CATALOG LISTING 5PA9
  - SUFFIX LETTER MUST BE ADDED FOR DESIRED TYPE TOGGLE LOCKING. SEE CHART FOR AVAILABLE LOCKING COMBINATIONS
  - CIRCUIT DIAGRAMS APPLY ONLY TO "ON" AND "MOM ON" POSITIONS.
  - EIGHT TERMINAL SCREWS REQUIRED ON THIS LISTING
  - FROM BOTTOM OF KEYWAY TO MAJOR DIAMETER OF 15/32 THREAD
  - GOLD PLATED CONTACTS
  - FAA-PMA TO BE MARKED ON THESE SWITCHES
  - FOR MANUFACTURING DETAIL SEE THE CORRESPONDING ASSEMBLY DRAWING FOR EACH LISTING FOR FAA-PMA

CATALOG LISTING	AVAILABLE LOCKING COMBINATIONS FOR CONFIGURATION SEE LETTERED DETAILS	CIRCUIT WITH TOGGLE IN			CURRENT CAPACITY (AMPS)												
		KEYWAY SIDE 1-2, 4-5, 7-8, 10-11	CENTER 1-2, 4-5, 7-8, 10-11	OPPOSITE KEYWAY 2-3, 5-6, 8-9, 11-12	RESISTIVE LOAD				LAMP LOAD				INDUCTIVE LOAD				
					DC VOLTS	AC VOLTS	250	125	250	125	250	125	250	125	250	125	250
4TL887-1	A,B,D,E,F,G,H,J,K,L,M,N,P	ON	OFF	ON	28	125	250	125	250	28	125	250	125	250	28	125	250
4TL887-2	D*, F, G	OFF	NONE	ON	20	.75	.5	15	6	5	4	12	15	(REFER TO L191 FOR UL RATING)			
4TL887-3	D, F, G	ON	NONE	ON													
4TL887-21	E, F, K, M	NONE	OFF	ON													
4TL887-31	E, F, K, M	NONE	ON	ON													
4TL887-4	F	MOM OFF	NONE	ON													
4TL887-5	E, F, K, L, M, N	MOM ON	OFF	ON													
4TL887-6	F	MOM ON	NONE	OFF													
4TL887-7	E, L, N	MOM ON	OFF	MOM ON	18	.75	.5	11	6	4	2	10	8	(REFER TO L192 FOR UL RATING)			
4TL887-8	F	MOM ON	NONE	ON													
4TL887-51	E	NONE	ON	MOM ON													
4TL887-61	E	MOM ON	OFF	NONE													

"A" 3	"B" 3	"D" 3	"E" 3	"F" 3	"G" 3
LOCKED IN THREE POSITIONS	LOCKED IN CENTER AND EXTREME POS. (KEYWAY SIDE)	LOCKED OUT OF CENTER POSITION	LOCKED IN CENTER POSITION	LOCKED IN EXTREME POS. (OPP. KEYWAY)	LOCKED IN EXTREME POS. (KEYWAY SIDE)
"H" 3	"J" 3	"K" 3	"L" 3	"M" 3	"N" 3
LOCKED OUT OF CENTER AND EXTREME POS. (KEYWAY SIDE)	LOCKED OUT OF CENTER AND EXTREME POS. (OPP. KEYWAY)	LOCKED IN CENTER AND EXTREME POS. (OPP. KEYWAY)	LOCKED OUT OF EXTREME POS. (KEYWAY SIDE)	LOCKED OUT OF AND INTO EXTREME POS. (OPP. KEYWAY)	LOCKED OUT OF EXTREME POS. (OPP. KEYWAY)
"P" 3	LOCKED OUT OF AND INTO EXTREME POS. (KEYWAY SIDE)				

CIRCUIT DIAGRAM



L191 15A 125, 250, 277 VAC 1/2HP 125 VAC 1HP 250, 277 VAC 5A 125 VAC "L"	CE RULC	L192 10A 125, 250, 277 VAC 1/4HP 125 VAC 1/2HP 250, 277 VAC 3A 125 VAC "L"	CE RULC
---	------------	---	------------

\* FAA-PMA APPROVED

DESIGN UNITS: INCH TOLERANCES UNLESS NOTED: NO PLACE X ± ONE PLACE .X ± TWO PLACE .XX ± THREE PLACE .XXX ± FOUR PLACE .XXXX ± ANGLES X ±	DRAWN SAV 24NOV99 CHECK JAF 24NOV99	Honeywell	
THIRD ANGLE PROJECTION	THIS DRAWING COVERS A PROPRIETARY ITEM AND IS THE PROPERTY OF HONEYWELL. THIS DRAWING IS NOT TO BE COPIED OR USED WITHOUT THE PERMISSION OF HONEYWELL.		
	INTERPRET PER ASME Y14.5M-1994 OTHER HONEYWELL ENGINEERING STANDARDS MAY APPLY	TITLE SWITCH-TOGGLE	
	Pro/ENGINEER 2D	SIZE C	TYPE I
		DRAWING NAME 4TL887 SERIES CHART 2	
		SCALE FULL	REV 4
		SHEET 1 OF 1	