

Web site: www.marinco.com

Phone: 800-307-6702

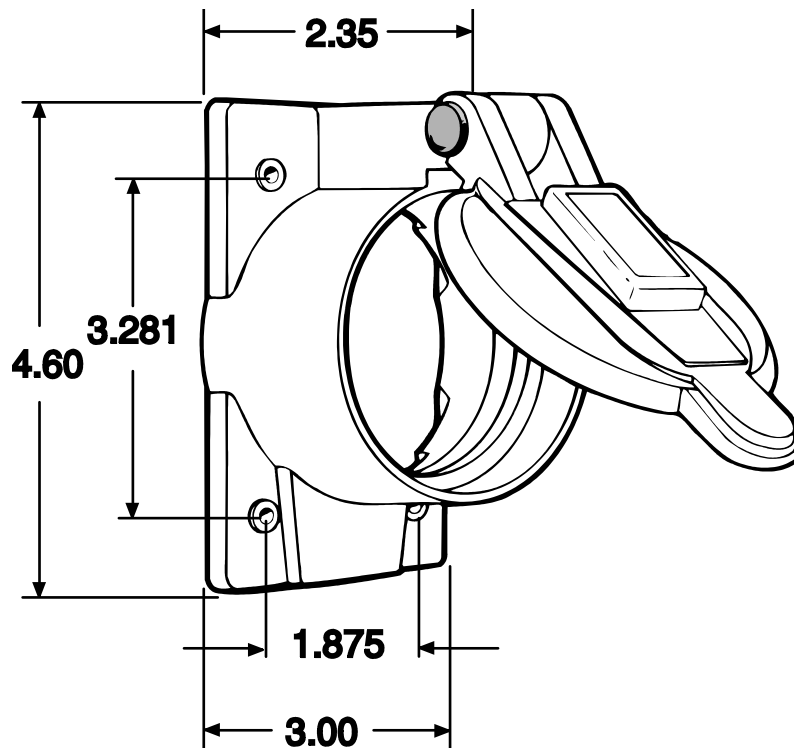
Date: October, 2012 Rev: 01

Outlet Box Cover

Catalog Number: 7788CR

- Item:** Non-metallic outlet box cover for 50A receptacles
- General:** Provided with spring-loaded lift cover. Fits standard FS and FD outlet boxes. Also provided with a mounting gasket and four screws to secure the cover to an outlet box.
- Material:** Glass-filled polycarbonate, metal hardware and spring are stainless steel.
- Color:** Yellow is standard. Available in black, gray and white.
- Certifications:** Underwriters Laboratories listed for wet locations.

Dimensions:



Dimensions shown in inches