

PLEASE CHECK WWW.MOLEX.COM FOR LATEST PART INFORMATION

Part Number: [1300030051](#)
Status: **Active**
Overview: BradPower Cordsets and Receptacles
Description: Quick-Change Receptacle, 4 Pole, 1/2" - 14 NPT, Male (Straight) to 12/1 AWG Leads, 0.30m (11.81") Length

Documents:

[Drawing \(PDF\)](#) [RoHS Certificate of Compliance \(PDF\)](#)

Agency Certification

CSA LR6837
 UL E46237

General

Product Family Industrial Receptacles
 Series [130003](#)
 IP Rating IP67
 Overview [BradPower Cordsets and Receptacles](#)
 Product Name Quick-Change
 Type Single Ended (pigtail)
 UPC 78678832680

Physical

Coupling Type External Thread
 Gender Male
 Keyway Single
 Length 0.305m
 Material - Component Gray Anodized Aluminum
 Mounting Thread Size 1/2" - 14 NPT
 Net Weight 421.000/g
 Orientation Straight
 Panel Mount Back
 Poles 4
 Temperature Range - Operating -20°C to +90°C
 Wire Size AWG N/A
 Wire/Cable Type UL 1015

Electrical

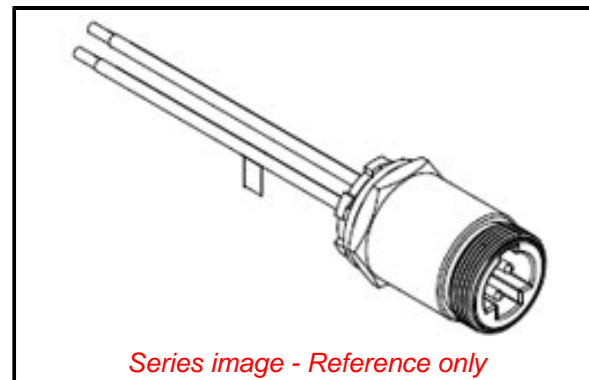
Current - Maximum per Contact 15.0A
 Voltage - Maximum 600V AC/DC

Material Info

Engineering Number 32680

Reference - Drawing Numbers

Sales Drawing SD-130003-004



Series image - Reference only

EU ELV

Not Relevant

EU RoHS

Compliant with Exemption 6(c),6(a)-I

REACH SVHC

Not Reviewed

Halogen-Free

Status

Not Reviewed

For more information, please visit [Contact US](#)

China ROHS

50 Image

ELV

Not Relevant

RoHS Phthalates

Not Contained

Search Parts in this Series

[130003](#) Series