

product specifications for:

50A Inlets

Item #: 6353EL-B.BLACK.OEM

Description

50 Amp 125V/250V Black Inlet with Stainless steel Trim

Electrical Specifications

50 amperes, 125/250 volts, 4-wire locking
NEMA: SS2-50P

Material Specifications

Cap & Bezel Material: Polyester
Plug body Material: Nylon
Contact Material: Nickel plated brass
Rear enclosure: Polyester with a UL flammability of 94V-0

Terminals

Brass, Clamp-type. Accommodates up to 6 AWG wire.

Enclosure

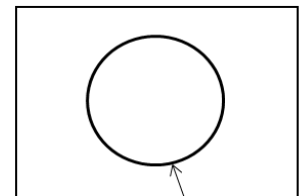
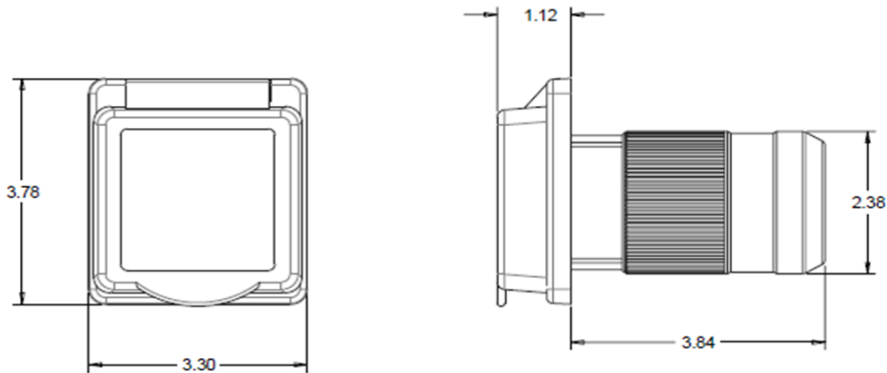
Provided. Includes strain relief.

Mounting screws

Not provided. No. 8 pan head recommended

Listings

UL listed, File E57672
CSA certified, File 81290_0_000
Complies with ABYC and Coast Guard Standards
Environmental: 1P56 Rating



2-7/8" (2.875")
Mounting hole
diameter

Dimensions shown in inches

toll free 800.307.6702 | marinco.com

MARINCO