

PART NUMBER	REV	FIRST USED
567333-1	R	122500-1
567333-2	R	565435-5
567333-3	R	354500-1
7-567333-7	M	SPARE PARTS KIT

- 1 RECOMMENDED SPARE PARTS.
  - 2 GREASE LIGHTLY.
  - 3 GUARD MUST BE IN PLACE WHEN OPERATING APPLICATOR IN A BENCH MACHINE.
  - 4 LUBRICATE DAILY USING NO. 20 MACHINE OIL.
5. ITEMS WITH QTY OF REF SPECIFIED (EXCEPT ITEMS 78 AND 79) ARE USED ON ITEM 46.

TERMINAL NAME: HYDROSEAL						
770520						
CRIMPING DATA						
PAD LTR	CRIMP HEIGHT			WIRE SIZE		
A	.055	±.002	[1.4 ±0.05mm]	16		
B	.050	±.002	[1.27 ±0.05mm]	18		
C	.046	±.003	[1.17 ±0.08mm]	20		
D	NOT			USED		
CRIMP	SIZE	TYPE	RANGE			
WIRE	.080	[2.03mm]	F	20-16		
INSUL	.120	[3.05mm]	0	.067-.106		
WIRE STRIP LENGTH	TERM APPL SPEC	FEED	APPL INSTRUCTION	SET UP GAGE	LAYOUT	
.185-.216	114-16016	.413	408-8040	458637-1	L1341	

-1	LEADMAKER	MECH POST FEED
-2	BENCH MODEL K	MECH PRE FEED
-3	BENCH MODEL G	MECH PRE FEED
-77	-	SPARE PARTS KIT

QTY REQD PER ASSY	PARTS LIST	ITEM NO
- 2	2 2 2 -	3-354779-6 PIN, WIRE DISC (.3170)C 128
- 2	2 2 2 -	2-354779-5 PIN, WIRE DISC (.3115)B 127
- 2	2 2 2 -	1-354779-5 PIN, WIRE DISC (.3065)A 126
- 1	1 1 1 -	986950-1 WASHER, FLAT PRECISION 125
- REF	REF REF REF -	21045-3 RING,RET "C"(Ø.187)FD FING PIN 124
- REF	REF REF REF -	5-21028-1 PIN,SLT SPR(Ø.125x.50)ADJ ROD 122
- 1	1 1 1 -	4-21028-0 PIN,SLT SPR(Ø.093x.75)ST GDE PL 121
- REF	REF REF REF -	1-21030-1 PIN,DOWEL(Ø.187x.50)LEVER 120
- REF	REF REF REF -	1-21030-6 PIN,DOWEL(Ø.187x1.25)HOUSING 119
- 1	1 1 1 -	21024-5 WASHER, LOCK(#10)ADJ BLOCK 117
- REF	REF REF REF -	21024-5 WASHER,LOCK(#10)ADJ PLATE 116
- REF	REF REF REF -	21024-5 WASHER,LOCK(#10)FEED GDE ROD 115
- 2	2 2 2 -	21024-2 WASHER,LOCK(#4)FRONT STP GUIDE 114
- 4	4 4 4 -	21024-4 WASHER,LOCK(#8)STRIPPER 111
- REF	REF REF REF -	21899-4 WASHER,FLAT(Ø5/16)SCREW ADJ 110
- 1	1 1 1 -	21018-5 NUT,HEX(NO.6)HOLDDOWN 108
- REF	REF REF REF -	21018-5 NUT,HEX(6-32)FEED ADJ 107
- 1	1 1 1 -	21009-2 SCR,SKT SET(1/4-20x.25 LW)RAM 103
- 2	2 2 2 -	21017-2 SCR,DRIVE(#2x.19)ID PLATE 102
- REF	REF REF REF -	6-23715-5 SCR,PAN HD(6-32x1.50)FEED ADJ 101
- 1	1 1 1 -	461264-1 PLATE, IDENTIFICATION 100
- 2	2 2 2 -	5-21006-6 SCR,SET(10-32x.75)DRAG 99
- 1	1 1 1 -	22733-8 SCR,BHC(8-32x.38 LW)ANVIL 98
- REF	REF REF REF -	2-21002-9 SCR,BHC(10-32x.75)CAP 97
- REF	REF REF REF -	2-22733-8 SCR,BHC(1/4-20x.62)HOUSING 96
- REF	REF REF REF -	2-21002-7 SCR,BHC(10-32x.50)SG ADJ BLOCK 95
- 6	6 6 6 -	2-21002-2 SCR,BHC(8-32x.50)TERM H DWN 94
- 1	1 1 1 -	1-21002-7 SCR,BHC(6-32x.38)CAM 91
- 1	1 1 1 -	2-22603-0 SCR,HEX HD(8-32x.31)FEED FINGER 86
- 2	2 2 2 -	1-21000-3 SCR,SHC(4-40x.25)F ST GUIDE 85
- 3	3 3 3 -	2-21000-7 SCR,SHC(8-32x.50)STRIPPER 84
- REF	REF REF REF -	3-21000-7 SCR,SHC(10-32x.75)FEED ROD GD 83
- REF	REF REF REF -	3-21000-6 SCR,SHC(10-32x.62)FD ADJ BLK 82
- 1	1 1 1 -	3-21000-4 SCR,SHC(10-32x.38)SG ADJ BL 81
- REF	REF REF REF -	3-21000-4 SCR,SHC(10-32x.38)PIVOT BLK 80
- REF	REF REF REF -	455749-1 GUARD, WINDOW 79
- REF	REF REF REF -	679532-1 INSERT, GUARD 78
- 1	1 1 1 -	690603-1 SPRING, ASSIST 74
- 1	1 1 1 -	23030-1 SCR,SHC(6-32x.25 SL)INS DISC 73
- REF	REF REF REF -	458109-1 WASHER, SPECIAL 72
- REF	REF REF REF -	690517-1 SPACER 71
-77	-3 -2 -1 U/M	PART NO DESCRIPTION ITEM NO

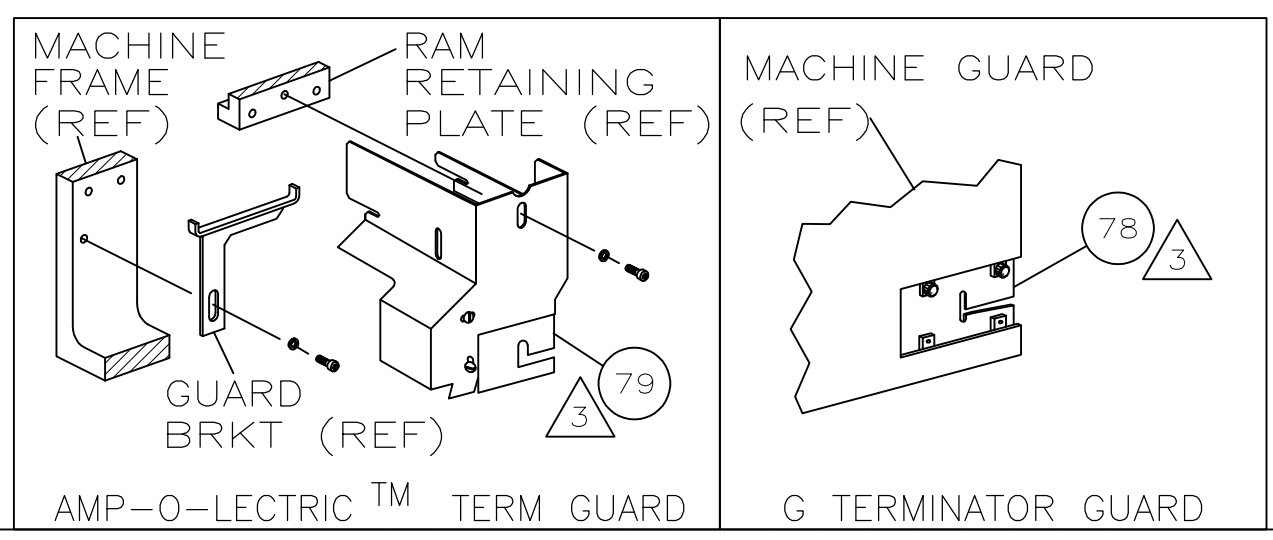
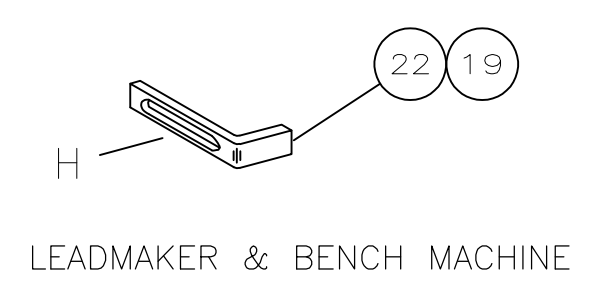
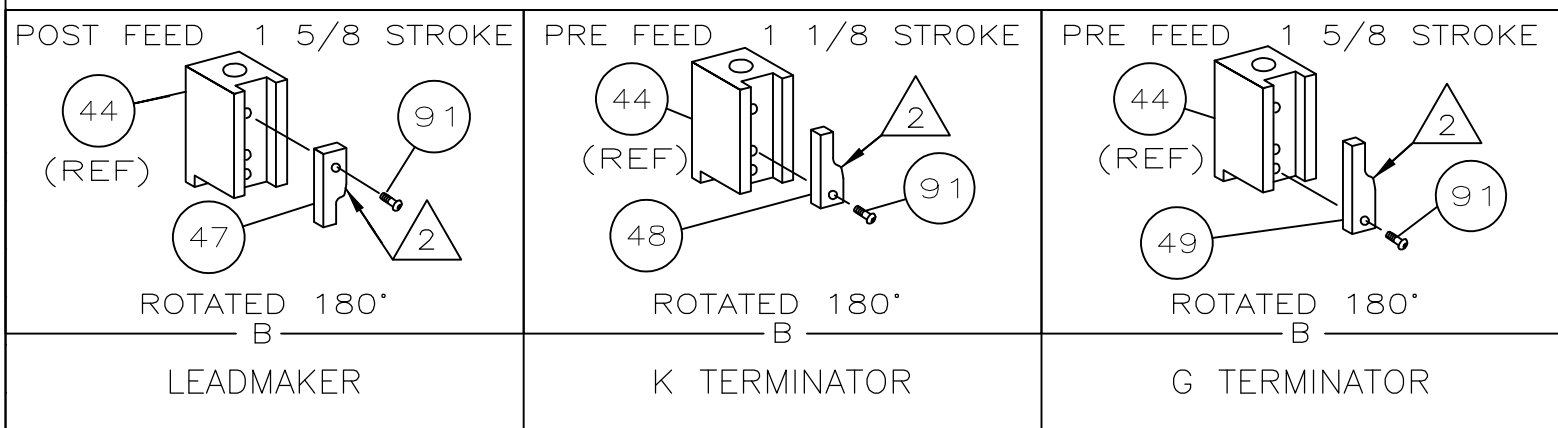
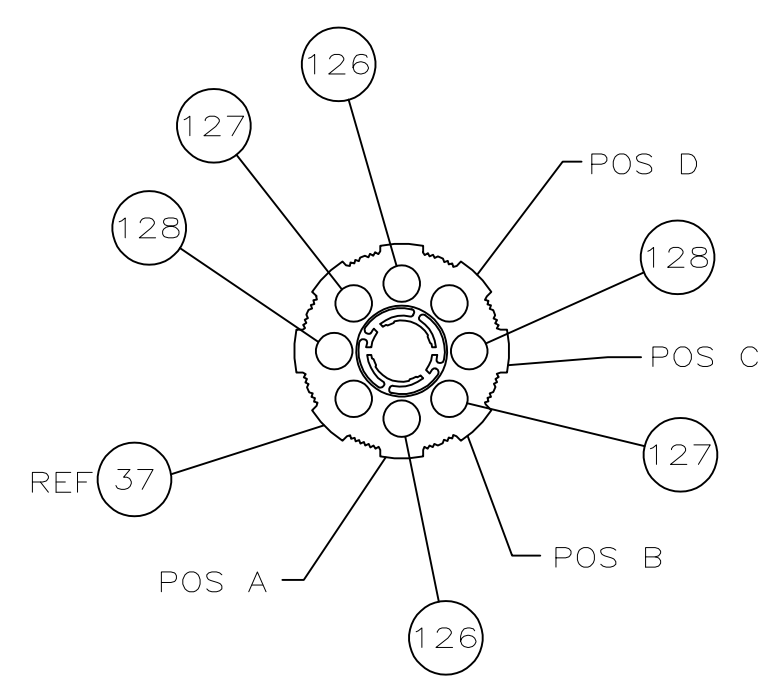
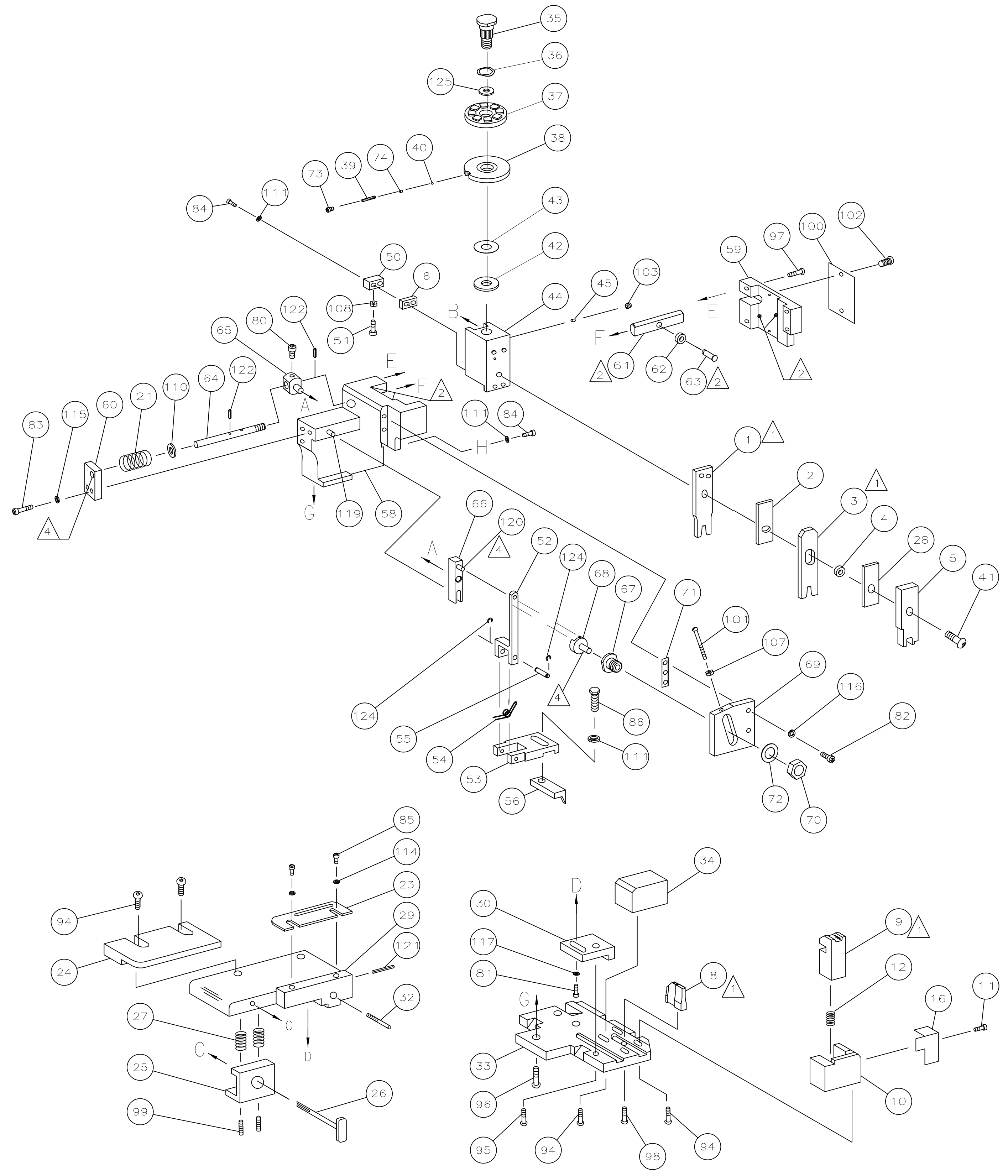
QTY REQD PER ASSY	PARTS LIST	ITEM NO
- REF	REF REF REF -	22594-8 NUT,HEX(1/2-20) 70
- REF	REF REF REF -	240628-1 PLATE, ADJUSTMENT 69
- REF	REF REF REF -	240626-1 SHAFT, PIVOT 68
- REF	REF REF REF -	240633-1 BUSHING 67
- REF	REF REF REF -	455680-1 LEVER, INTERMEDIATE 66
- REF	REF REF REF -	240629-1 BLOCK, PIVOT 65
- REF	REF REF REF -	240632-2 SCREW, ADJ FEED ROD 64
- REF	REF REF REF -	240659-3 PIN, CAM ROLLER 63
- REF	REF REF REF -	240658-1 ROLLER, CAM 62
- REF	REF REF REF -	454398-2 ROD, FEED 61
- REF	REF REF REF -	454178-1 GUIDE, FEED ROD 60
- REF	REF REF REF -	454220-1 CAP, RAM 59
- REF	REF REF REF -	454485-1 HOUSING 58
- 1	1 1 1 -	458537-2 PAWL, FEED 56
- REF	REF REF REF -	240624-1 PIN, FEED FINGER 55
- REF	REF REF REF -	691499-1 SPRING, FEED FINGER 54
- REF	REF REF REF -	690541-1 HOLDER, FEED FINGER 53
- REF	REF REF REF -	455679-1 LEVER, TERMINAL FEED ARM 52
- 1	1 1 1 -	811242-2 BUMPER, HOLDDOWN 51
- 1	1 1 1 -	690753-1 SPACER, TONKER 50
- 1	- - -	690602-6 CAM, PRE-FEED 1 5/8 ST 49
- -	- 1 -	690602-5 CAM, PRE-FEED 1 1/8 ST 48
- -	- - 1	690501-4 CAM, POST-FEED 1 5/8 ST 47
- 1	1 1 1 -	459456-1 APPLICATOR, BASIC (SUBASSY) 46
- 1	1 1 1 -	690191-1 PLUG, NYLON 45
- 1	1 1 1 -	455673-1 RAM 44
- 1	1 1 1 -	690125-1 WASHER, LAMINATED 43
- 1	1 1 1 -	690124-1 WASHER, RAM 42
- 1	1 1 1 -	7-21002-9 BOLT, CRIMPER(5/16x1.00) 41
- 1	1 1 1 -	23241-6 BALL, STEEL 40
- 1	1 1 1 -	690170-1 SPRING, COMPRESSION 39
- 1	1 1 1 -	690142-1 DISC, INSULATION 38
- 1	1 1 1 -	354777-1 WIRE DISC, PLASTIC 37
- 1	1 1 1 -	22480-5 WASHER, SPRING 36
- 1	1 1 1 -	690212-1 POST, RAM 35
- 1	1 1 1 -	692776-2 SUPPORT, TERMINAL 34
- REF	REF REF REF -	455675-1 PLATE, BASE 33
- 1	1 1 1 -	690432-3 SCREW, ADJUSTMENT 32
- REF	REF REF REF -	455689-1 BLOCK, STRIP GUIDE ADJ 30
- 1	1 1 1 -	455671-1 PLATE, STRIP GUIDE 29
- 1	1 1 1 -	455888-5 SPACER, FRONT SHEAR DEP 28
- 2	2 2 2 -	1-22284-0 SPRING, DRAG 27
- 1	1 1 1 -	690546-1 LEVER, DRAG RELEASE 26
- 1	1 1 1 -	240792-5 DRAG, TERMINAL 25
- 1	1 1 1 -	6-690504-0 GUIDE, STRIP (REAR) 24
- 1	1 1 1 -	690438-1 GUIDE, STRIP (FRONT) 23
- -	- - 1 -	690472-2 STRIPPER 22
- REF	REF REF REF -	4-22284-9 SPRING, FEED RETURN 21
- 1	1 1 - -	691353-1 STRIPPER 20
- 1	1 1 1 -	318563-1 GUARD,CHIP,FRONT 16
- 1	1 1 1 -	3-22280-3 SPRING, SHEAR 12
- 1	1 1 1 -	690461-1 STOP, SHEAR 11
- 1	1 1 1 -	690459-1 HOLDER, SHEAR (FRONT) 10
- 1	1 1 1 -	462006-1 SHEAR, FLOAT (FRONT) 9
1	1 1 1 1 -	2-854014-1 ANVIL 8
- 1	1 1 1 -	1-240641-9 DEPRESSOR, SHEAR (REAR) 6
- 1	1 1 1 -	2-455889-0 DEPRESSOR, SHEAR (FRONT) 5
- 1	1 1 1 -	238011-2 SPACER, BLOCK CRIMPER 4
1	1 1 1 1 -	818192-2 CRIMPER, INSULATION 3
- 1	1 1 1 -	455888-5 SPACER, CRIMPER 2
1	1 1 1 1 -	2-456405-9 CRIMPER, WIRE 1
-77	-3 -2 -1 U/M	PART NO DESCRIPTION ITEM NO

- 1
- 1
- 1

THIS DRAWING IS A CONTROLLED DOCUMENT.

DIMENSIONS: INCHES	TOLERANCES UNLESS OTHERWISE SPECIFIED:	0 PLC ± .005	1 PLC ± .004	2 PLC ± .003	3 PLC ± .002	4 PLC ± .001	ANGLES ± .005
MATERIAL	FINISH	WEIGHT	SIZE	CAGE CODE	DRAWING NO	RESTRICTED TO	
			A1	00779	567333		

CUSTOMER DRAWING SCALE - SHEET 1 OF 2 REV R



THIS DRAWING IS A CONTROLLED DOCUMENT.		DWN	D. SALTZER	10/3/95	Tyco Electronics Corporation Harrisburg, PA 17105-3608	
DIMENSIONS: INCHES		CHK	C. ERISMAN	10-11-95	NAME: SIDE FEED HDM APPLICATOR	
TOLERANCES UNLESS OTHERWISE SPECIFIED:		APRO	T. BEDDICK	10-11-95	PRODUCT SPEC: -	
0. PLC ± -		APPLICATION SPEC: -		SIZE: A1		
1. PLC ± -		WEIGHT: -		CAGE CODE: 00779		
2. PLC ± -		CUSTOMER DRAWING		DRAWING NO: 567333		
3. PLC ± -		SCALE: -		SHEET 2 OF 2		
4. PLC ± -		REV: R				
ANGLES ± -						
FINISH -						