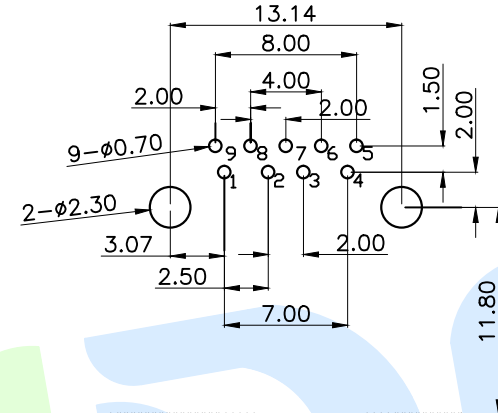
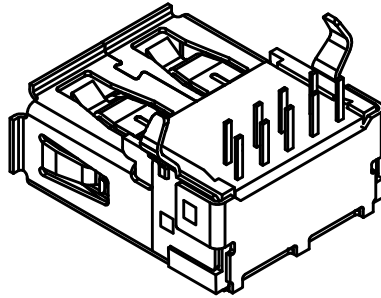
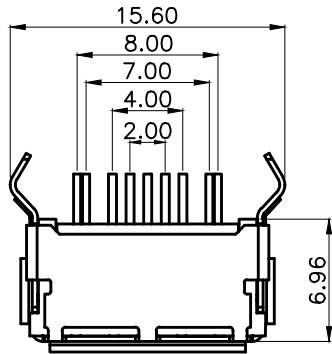
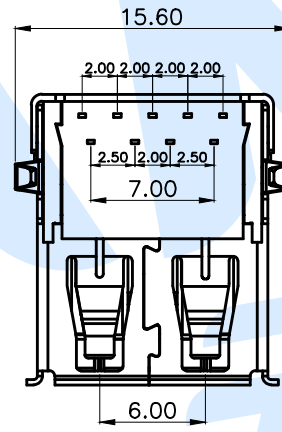
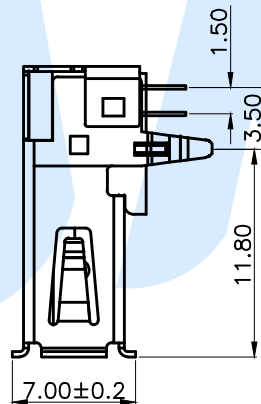
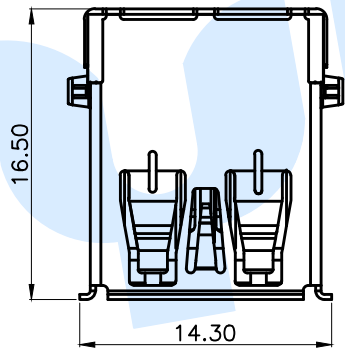


RoHS



P.C.B Layout (Pattern side) CONNECTOR FRONT EDGE



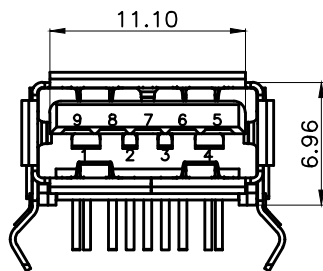
规格说明: Specifications

电气特性: Electrical

- 额定电流: Current Rating  
PIN1 & PIN4 (Vbus & Corresponding ground PIN)  
1.8A MAX Other PINS 0.25A min.
- 额定电压: Voltage Rating  
30V DC
- 接触阻抗: Contact Resistance  
PIN1 & PIN4: 30mΩ MAX. Other PINS: 50mΩ Max
- 耐电压: Dielectric Withstanding Voltage  
AC 500V/1MINUTE.
- 绝缘阻抗: Insulation Resistance  
1000MEGA Ohms Min

物理性能: Mechanical

- 插拔力: Connector Mate and Unmate Force  
Insertion force: 35N (3.57kgf) MAX  
Extraction force: 10-35N (1.02-3.57kgf) Min
- 端子保持力: Terminal Retention  
1.0kgf (MIN)
- 耐久性: Durability  
3000 cycles. EXTRACTLON FORCE:  
10-35N (1.02-3.57kgf)



PIN	SIGNAL NAME	PIN	SIGNAL NAME
1	VBUS	7	GND
2	D-	8	SSTX-
3	D+	9	SSTX+
4	GND		
5	SSRX-		
6	SSRX+		

NO.	Name	Number	Qty	Materil	Remarks
Ⓒ	Terminal		1	Brass	Ag plating
Ⓑ	Shell		1	SPCC	Ni plating
Ⓐ	Base		1	PBT	Blue

YUANDI® Yuandi Electronics Co, Ltd

design	date	name	model
Review	date	USB CONNECTOR	
Approved	date		USB30-01-T1-BL

Drawing number: Proportion 1:1 unit mm gage number A4

modify Review Approved Tolerance not specified