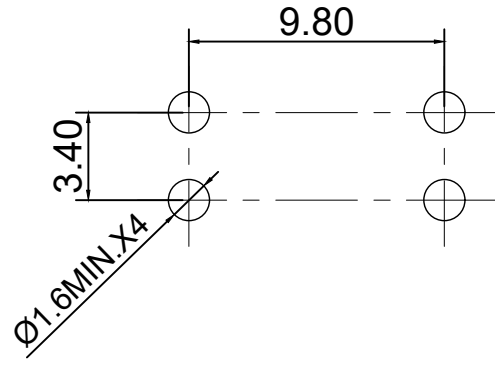


RoHS

REV	ECN NO.	DESCRIPTION	DESIGN	APPROVAL	DATE
A1	NEW	更换图框			2023.11.25

Product Characteristics	
Blocks and Clips for Blade Fuses	
Compatible Fuses	Automotive Blade Fuses
Electrical Specifications	Rated Voltage: 500 V
	Rated Current: From 15 to 30 A
Molded Parts	Insulation Block: Black Thermoplastic PET (UL94 V-0) and PA66 (UL94 V-0)
Metal Parts	PCB Terminals: Tin Plated Cu Alloy
Electrical	Insulation Resistance: 10,000 Megaohm Minimum at 500 VDC
	Contact Resistance: ≤ 5 mΩ Maximum
Ambient Temperature -40 °C to 125 °C	

Mounting Detail



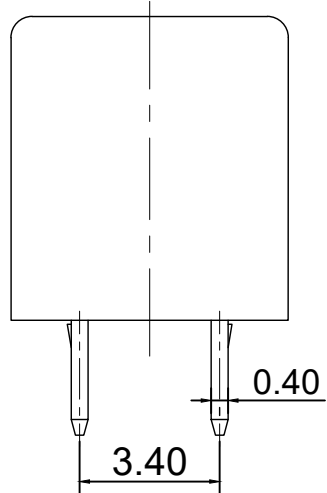
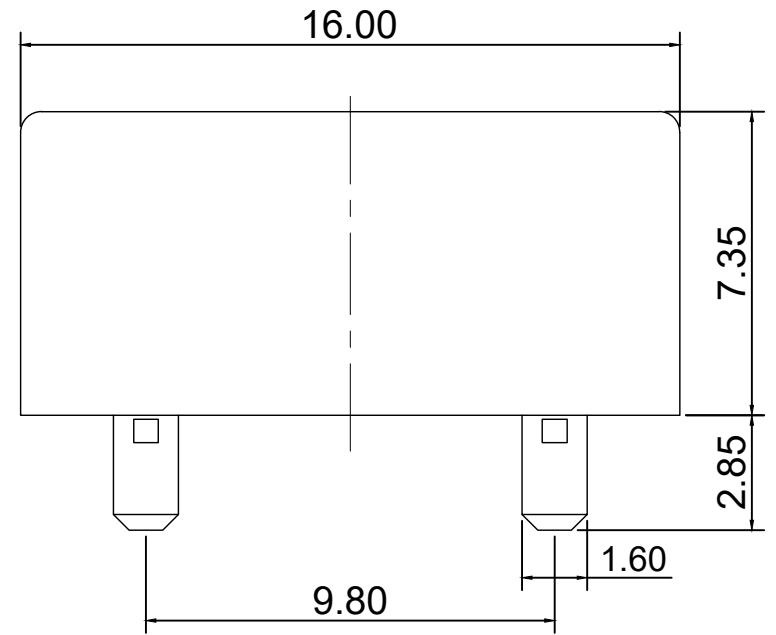
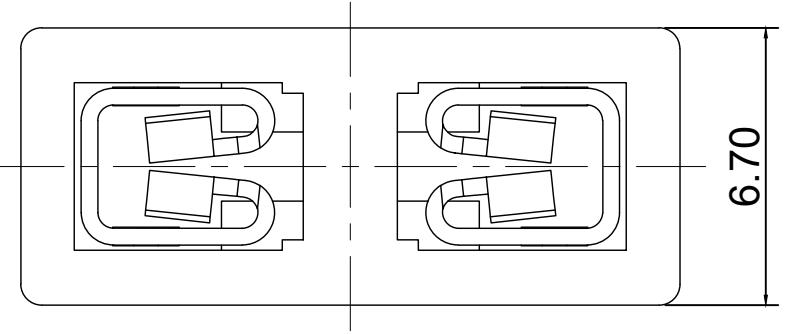
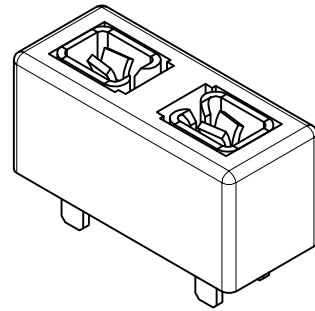
产品名称说明：

XF-508P-B-B

1 2 3

- 1. 序列号
- 2. 保险丝类型: A=大号
B=小号
- 3. 颜色码: B=黑色
Y=黄色
R=红色
W=白色
O=橙色

ACTUAL SIZE



X.±0.50	X.°±	PART NO: XF-508P-B-B	XFCN 兴飞连接器			
						0769-82001899
.XX±0.15	.XX°±	TITLE: MINI AUTO FUSE HOLDER	www.xfconn.com			
.XXX±0.10	.XXX°±		DWG NO: /			
UNITS:	mm	APPD				
THESE DRAWINGS AND SPECIFICATIONS ARE THE PROPERTY OF XFCN AND SHALL NOT BE REPRODUCED, COPIED OR CUED IN ANY MANNER WITHOUT THE PRIOR WRITTEN CONSENT OF XFCN		CHKD				
		DRAW	Wang	VIEW		
		DATE	2023.11.25	SCALE	SHEET	REV
				NONE	1:1	A1