

Receptacle Housings

**Technical Features**

**No. of Positions:**

81 Positions Assembly

**Housing Material:**

PA 66 GF

**Wire Size Range:**

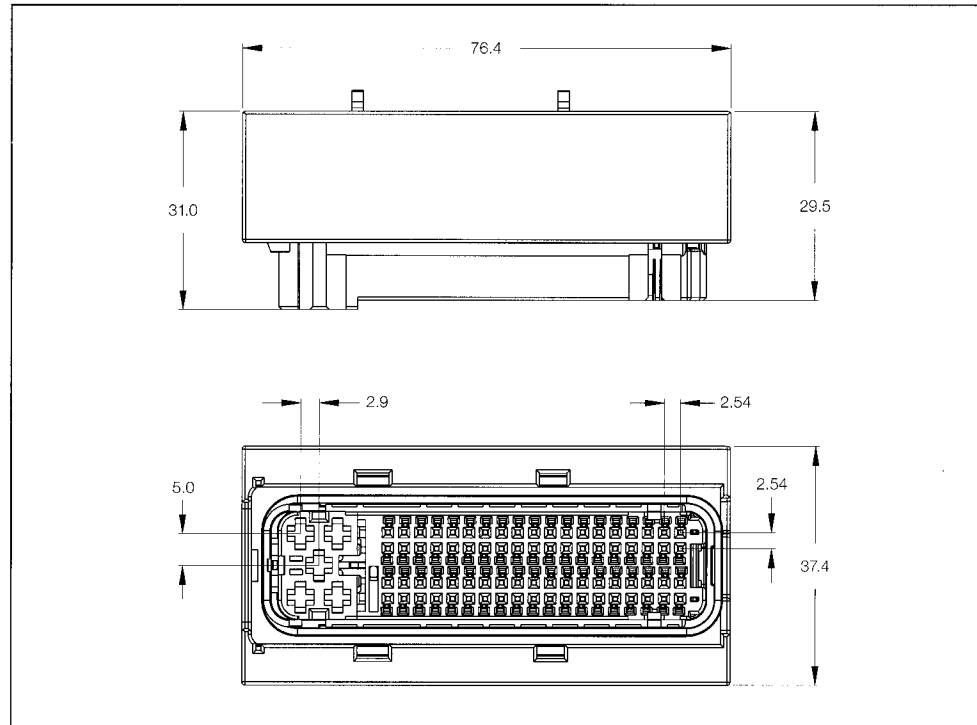
- 0.2–0.75 mm<sup>2</sup> Micro Quadlok
- 0.5–2.5 mm<sup>2</sup> Junior Power Timer

**Product Specification:**

108-5793

**Application Specification:**

114-18021 / 18050



**81 Position Receptacle Housing**

No. of Pos.	Keying Options	Housing Color	Part Numbers							
			Receptacle Housing	Cover	Locking Device	Cover and Lever	Retainer Housing	Mating Tab Housing	Mating PCB Header Right-Angle	Mating PCB Header Vertical
81	–	Black	1473244-1	–	–	1473247-1 (Type A) 1473250-1 (Type B)	368382-1	–	1241434-1	–