

Siemens
EcoTech



Indicator lights, 22 mm, round, plastic, yellow, lens, smooth



| | |
|--|--|
| product brand name | SIRIUS ACT |
| product designation | Indicator lights |
| design of the product | Actuating/signaling element |
| product type designation | 3SU1 |
| product line | Plastic, black, 22 mm |
| Actuator | |
| product extension optional | |
| • light source | Yes |
| • contact module | No |
| color | |
| • of the actuating element | yellow |
| material of the actuating element | plastic |
| shape of the actuating element | round |
| outer diameter of the actuating element | 29.45 mm |
| Front ring | |
| product component front ring | No |
| General technical data | |
| protection class IP | IP66, IP67, IP69(IP69K) |
| degree of protection NEMA rating | 1, 2, 3, 3R, 4, 4X, 12, 13 |
| shock resistance | |
| • according to IEC 60068-2-27 | sinusoidal half-wave 15g / 11 ms |
| • for railway applications according to EN 61373 | Category 1, Class B |
| vibration resistance | |
| • according to IEC 60068-2-6 | 10 ... 500 Hz: 5g |
| • for railway applications according to EN 61373 | Category 1, Class B |
| reference code according to IEC 81346-2 | P |
| Substance Prohibitance (Date) | 10/01/2014 |
| Connections/ Terminals | |
| tightening torque of the screws in the bracket | 1 ... 1.2 N·m |
| Ambient conditions | |
| ambient temperature | |
| • during operation | -25 ... +70 °C |
| • during storage | -40 ... +80 °C |
| environmental category during operation according to IEC 60721 | 3M6, 3S2, 3B2, 3C3, 3K6 (with relative air humidity of 10 ... 95%) |
| Environmental footprint | |
| Environmental Product Declaration (EPD) | Yes |

| | |
|--|-----------------|
| Global Warming Potential [CO2 eq] total | 0.787 kg |
| Global Warming Potential [CO2 eq] during manufacturing | 0.566 kg |
| Global Warming Potential [CO2 eq] during operation | 0.235 kg |
| Global Warming Potential [CO2 eq] after end of life | -0.015 kg |
| Siemens Eco Profile (SEP) | Siemens EcoTech |

Installation/ mounting/ dimensions

| | |
|---|---------|
| height | 29.5 mm |
| width | 29.5 mm |
| shape of the installation opening | round |
| mounting diameter | 22.3 mm |
| positive tolerance of installation diameter | 0.4 mm |
| mounting height | 11.8 mm |
| installation width | 29.5 mm |
| installation depth | 24.4 mm |

Approvals Certificates

| | |
|--------------------------|-------------------|
| General Product Approval | Test Certificates |
|--------------------------|-------------------|



[Confirmation](#)



[Special Test Certificate](#)

| | | |
|-------------------|-------------------|-------|
| Test Certificates | Marine / Shipping | other |
|-------------------|-------------------|-------|

[Type Test Certificates/Test Report](#)



[Confirmation](#)

Environment



Siemens EcoTech



[Environmental Confirmations](#)

Further information

Information on the packaging

<https://support.industry.siemens.com/cs/ww/en/view/109813875>

Information- and Downloadcenter (Catalogs, Brochures,...)

<https://www.siemens.com/ic10>

Industry Mall (Online ordering system)

<https://mall.industry.siemens.com/mall/en/en/Catalog/product?mlfb=3SU1001-6AA30-0AA0>

Cax online generator

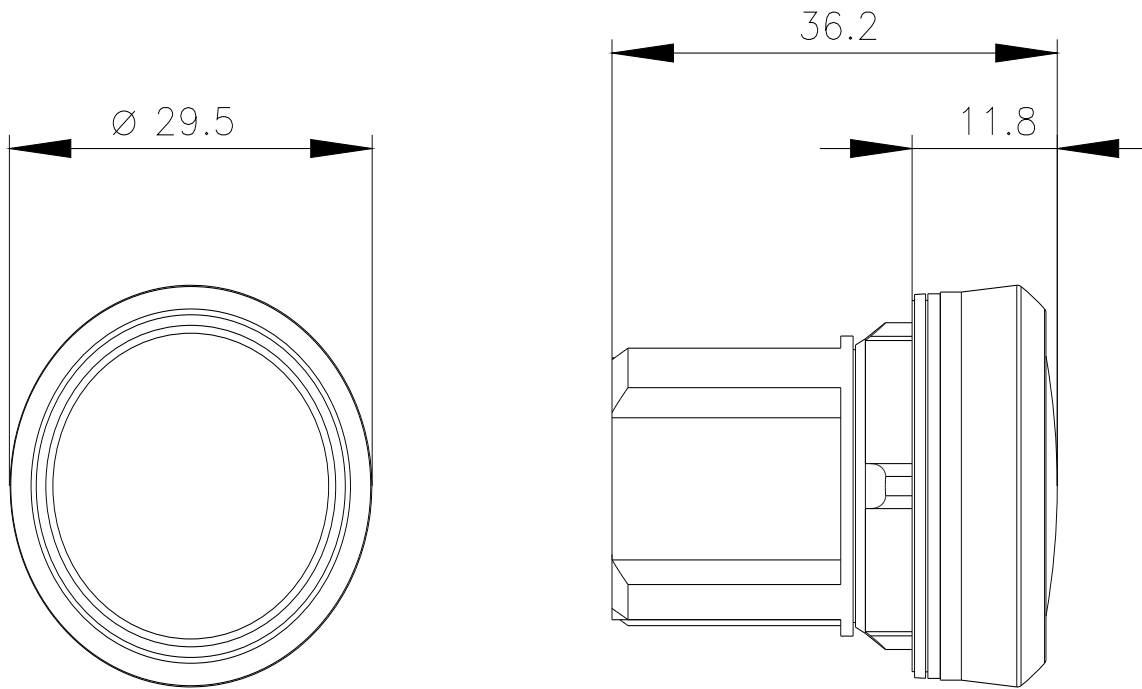
<http://support.automation.siemens.com/WW/CAXorder/default.aspx?lang=en&mlfb=3SU1001-6AA30-0AA0>

Service&Support (Manuals, Certificates, Characteristics, FAQs,...)

<https://support.industry.siemens.com/cs/ww/en/ps/3SU1001-6AA30-0AA0>

Image database (product images, 2D dimension drawings, 3D models, device circuit diagrams, EPLAN macros, ...)

http://www.automation.siemens.com/bilddb/cax_de.aspx?mlfb=3SU1001-6AA30-0AA0&lang=en



last modified:

2/7/2024 