



002

PCB TERMINAL  
BLOCKS

081

TERMINAL STRIPS

095

WIRE TO BOARD  
CONNECTORS

100

CIRCULAR  
CONNECTORS

151

IP68 CONNECTORS

158

INTERFACE  
MODULES AND  
RELAY BASES

# 5.08mm pitch standard profile rising clamp terminal blocks

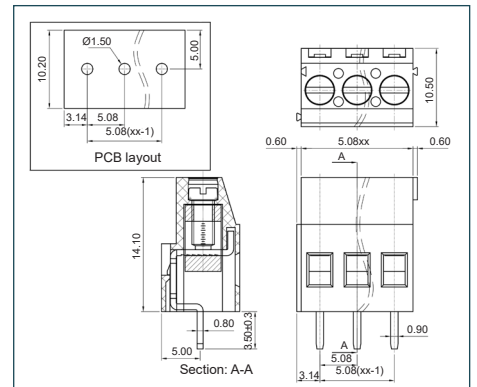
## Product overview

- 2 and 3 pole double interlocking mechanism for increased strength
- Moulded in green UL94-V0 flame retardant PA
- Cable acceptance - 0.3-3.31mm<sup>2</sup> (22-12AWG)
- Professional rising clamp terminals
- Guided pin alignment
- Captive screws
- CE approved

CTBP0108



SPECIFICATION		PART NO.	POLES	LENGTH
Rating	16A / 300V	CTBP0108/2	2	10.16mm
Insulation resistance	500MΩ / 500V	CTBP0108/3	3	15.24mm
Withstand voltage	AC1600V / 1min	CTBP0108/4	4	20.32mm
Contact resistance	20mΩ (max)	CTBP0108/5	5	25.4mm
Working temperature	-40°C to +105°C	CTBP0108/6	6	30.48mm
Moulding	UL94-V0 flame retardant PA	CTBP0108/7	7	35.56mm
Pin/terminal	Tin plated brass	CTBP0108/8	8	40.64mm
Rising clamp	Nickel plated brass	CTBP0108/9	9	45.72mm
Screw/torque	M2.5 steel, zinc plated / 0.4Nm	CTBP0108/10	10	50.8mm
Recommended PCB hole size	Ø1.5mm	CTBP0108/11	11	55.88mm
		CTBP0108/12	12	60.96mm



## KEY FEATURES

Standard profile | Double interlock mechanism | Rising clamp terminals

