



## Single impulse generator Adjustable Part number 81507720



■ xxx

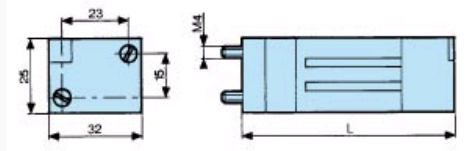
	Type	Code
81507540	Fixed	81507540
81507720	Adjustable	81507720

### Symbol

Delay (s)	0,1 →30
Frequency (Hz)	-
Operating pressure (bar)	2 →8
Flow at 6 bars NI/min	170
Orifice diameter mm	2,7
Accuracy %	±5
Reset min. time S	<0,1
Connection - Sub-base	■
Operating temperature (°C)	-5 +50
Mechanical life (operations)	>10 <sup>7</sup>
Weight (g)	180

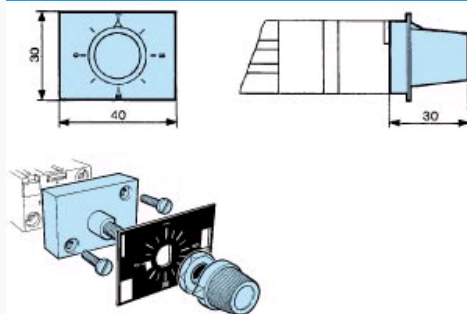
Panel mounting adaptor	Weight (g)
79451904	53

### Dimension Diagram : 81 507 540 - 81 507 720

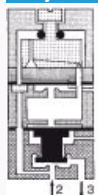


L (mm)
99 mm

### Dimension Diagram : 79 451



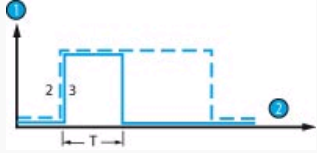
### : Adjustable impulse generator



N° Legend

2  
3 Time

Curves : \*\*\* TRADUCTION MANQUANTE \*\*\*



N° Legend

A  
B

: \*\*\* TRADUCTION MANQUANTE \*\*\*

