

D-SUB panel mounting frames - VS-09-A-GC-BU/BU - 1689695

Please be informed that the data shown in this PDF Document is generated from our Online Catalog. Please find the complete data in the user's documentation. Our General Terms of Use for Downloads are valid (<http://phoenixcontact.com/download>)



D-SUB panel mounting frame, shell size 1, with nine signal contacts, socket, gender changer, shielded, IP67 degree of protection



Key Commercial Data

Packing unit	1 pc
Minimum order quantity	5 pc
Weight per Piece (excluding packing)	19.94 g
Custom tariff number	85366990
Country of origin	Germany

Technical data

Mechanical characteristics

Number of positions	9
Insertion/withdrawal cycles	≥ 200
Color	gray

Ambient conditions

Ambient temperature (operation)	-40 °C ... 80 °C
---------------------------------	------------------

Material data

Flammability rating according to UL 94	V0
Housing material	PA
Contact carrier material	Polyester GF
Contact material	Copper alloy
Contact surface material	Hard gold-plated over nickel
Material	Plastic
Sealing material	Flat gasket: NBR; profile gasket: EPDM

D-SUB panel mounting frames - VS-09-A-GC-BU/BU - 1689695

Technical data

Material data

Seal material	Flat gasket: NBR; profile gasket: EPDM
---------------	--

Electrical characteristics

Number of positions	9
Rated current	5 A
Overvoltage category	III
Degree of pollution	2

Standards and Regulations

Flammability rating according to UL 94	V0
--	----

Classifications

eCl@ss

eCl@ss 4.0	27140816
eCl@ss 4.1	27260701
eCl@ss 5.0	27260701
eCl@ss 5.1	27260701
eCl@ss 6.0	27261203
eCl@ss 7.0	27440202
eCl@ss 8.0	27440213

ETIM

ETIM 2.0	EC000437
ETIM 3.0	EC000437
ETIM 4.0	EC000437
ETIM 5.0	EC001136

UNSPSC

UNSPSC 6.01	31261501
UNSPSC 7.0901	31261501
UNSPSC 11	31261501
UNSPSC 12.01	31261501
UNSPSC 13.2	31261501

Approvals

Approvals

D-SUB panel mounting frames - VS-09-A-GC-BU/BU - 1689695

Approvals

Approvals

EAC / EAC / EAC

Ex Approvals

Approvals submitted

Approval details

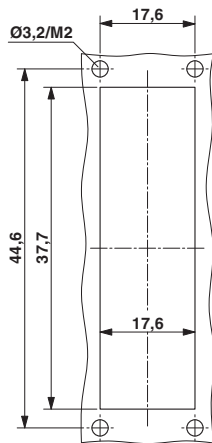
EAC

EAC

EAC

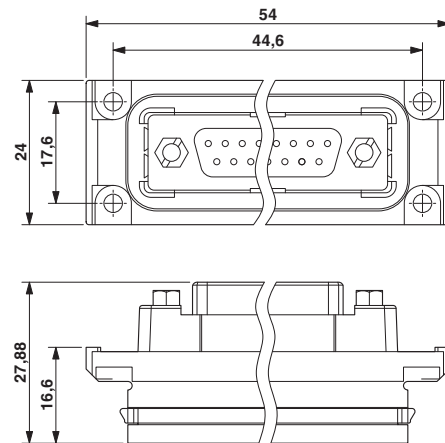
Drawings

Dimensional drawing



Mounting cutout: VS-09-A...

Dimensional drawing



D-SUB panel mounting frame