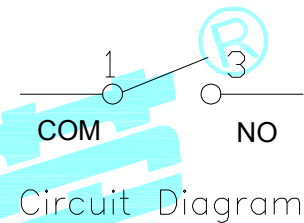
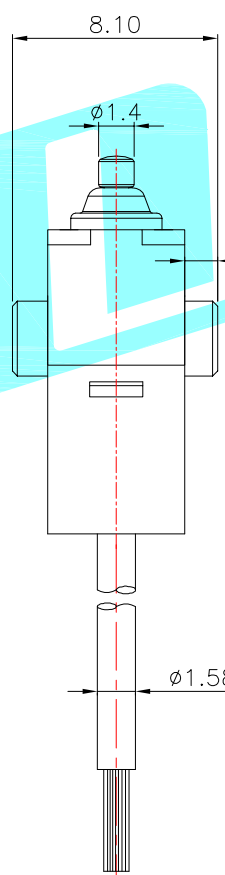
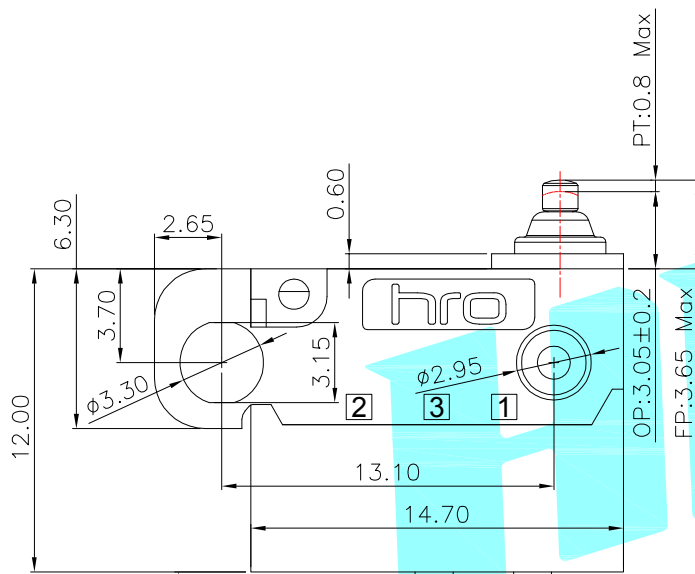
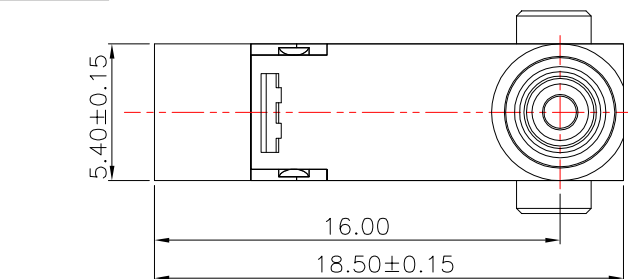


注：客户定制款，直接在原有型号后增加尾缀



NOTE:
 1.Rating1:DC12V 3A
 Rating2:48V DC/125V AC/250V AC 0.1A
 2.Operating froce:130gf MAX
 3.Electric Life:100,000
 4.Mechanical Life:500,000
 5.Ingress protection:IP67

240±5
加端子壳总长

COM:UL1007 22AWG BLACK (黑色)

NO:UL1007 22AWG BLUE (蓝色)

注：尾部打端子(端子需镀金)，接2P的间距1.25mm公头端子壳

ITEM	PART NAME	TER'NO.	QTY.	MATERIAL	FINISHING	REMARK
⑦	Shrapnel	—	1	Brass	Plating silver	—
⑥	Contact	—	1	Ag	—	—
⑤	Sealed Circle	—	1	Silicone Rubber	—	—
④	Terminal	—	2	Brass(0.50t)	Plating silver	—
③	Plunger	—	1	POM	Black	—
②	Case	—	1	PA	Black	—
①	Cover	—	1	PA	Black	—

APPROVALS		DATE	HRO 韩荣® ELECTRONICS CO.,LTD			
DRAWN	LIUCAN	2023.9.25	TITLE:	MICRO SWITCHS		
CHECKED			PART NO.	K9-2821D-7WBN-1BA		
APPROVALS			UNIT: mm	SCALE: 1:1	PROJ:	
TOLERANCES ARE	30~以上	±0.30	ANGLE	DRAWING NO.	SHEET	1 OF 1
	10~30	±0.20				
	5~10	±0.15				
	~ 5	±0.10				

ECN NO.	REV.	DATE.	DESCRIPTION.	CHANGE.	CHECK.	APPRO.
	A		NEW			