



Extract from the online catalog

# SAC-3P-M12MS/0,6-PUR/B-1L-S

Order No.: 1669165



<http://eshop.phoenixcontact.de/phoenix/treeViewClick.do?UID=1669165>

Sensor/actuator cable, 3-pos, PUR/PVC black, straight M12 plug on valve connector type B, with one LED and Z-diode, cable length: 0.6 m

Commercial data	
EAN	4017918136123
Pack	1 pcs.
Customs tariff	85444290
Weight/Piece	0.0688 KG
Catalog page information	Page 90 (PC-2007)

### Product notes

WEEE/RoHS-compliant since: 11/27/2006



<http://www.download.phoenixcontact.com>  
Please note that the data given here has been taken from the online catalog. For comprehensive information and data, please refer to the user documentation. The General Terms and Conditions of Use apply to Internet downloads.

## Technical data

General data	
Nominal current $I_N$	4 A
Nominal voltage $U_N$	24 V
	24 V (in acc. with DIN VDE 0110)
Number of positions	3
Volume resistance	5 mΩ

SAC-3P-M12MS/0,6-PUR/B-1L-S Order No.: 1669165  
<http://eshop.phoenixcontact.de/phoenix/treeViewClick.do?UID=1669165>

Insulation resistance	≥ 100 MΩ
Length of cable	0.6 m
Ambient temperature (operation)	-25 °C ... 90 °C (plug/socket)
	-20 °C ... 80 °C (valve plug)
	-30 °C ... 70 °C (cable, fixed installation)
	-5 °C ... 70 °C (cable, flexible installation)

### General characteristics

Coding	A - standard
Inflammability class acc. to UL 94	HB
Surge voltage category	II
Pollution degree	3
Degree of protection	IP67
Contact material	CuSn
Contact surface material	Ni/Au
Contact carrier material	TPU GF
Material of grip body	TPU, hardly inflammable, self-extinguishing
Contact material	CuSn
Contact surface material	Ag
Valve plug contact insert material	PBT
Material, housing, valve plug	PBT
Sealing material	TPU (Flat gasket valve plug)
Status display	1 LED
Protective circuit/component	Z diode

### Conductor data

Cable type	PUR/PVC black
Cable abbreviation	LiYY11Y-JZ
Conductor cross section	0.75 mm <sup>2</sup>
AWG signal line	18
Conductor structure, signal line	42x 0.15 mm
Core diameter including insulation	Approx. 1.8 mm
Thickness, insulation	Approx. 0.34 mm (Core insulation)
	Approx. 0.35 mm (Outer cable sheath)
	Approx. 0.3 mm (Inner sheath)
External cable diameter	5.90 mm

SAC-3P-M12MS/0,6-PUR/B-1L-S Order No.: 1669165  
<http://eshop.phoenixcontact.de/phoenix/treeViewClick.do?UID=1669165>

Wire colors	Black 1, black 2, green/yellow
External sheath, color	Black RAL 9005
Insulation resistance	$\geq 1 \text{ M}\Omega \cdot \text{km}$
Nominal voltage, conductor	300 V
Test voltage, conductor	2000 V
Overall twist	3 concentrically twisted wires
Outer sheath, material	PUR
Material, inner sheath	PVC
Material conductor insulation	PVC
Conductor material	Bare Cu litz wires
Smallest bending radius, movable installation	59 mm

### Certificates / Approvals

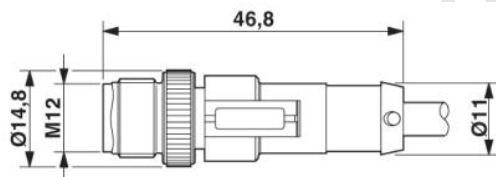


Certification

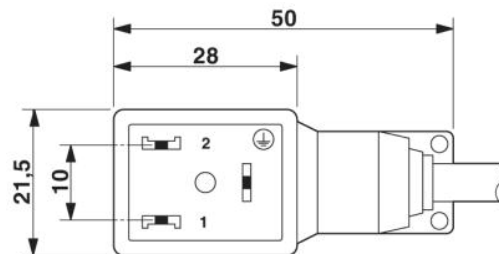
GOST

### Drawings

Dimensioned drawing



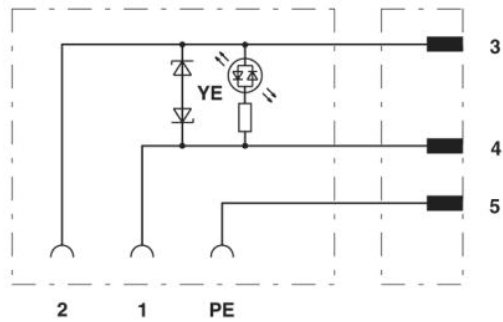
M12 x 1 male connector, straight



Valve plug, type B

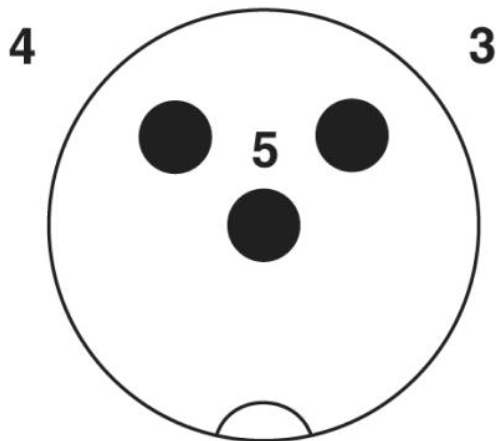
SAC-3P-M12MS/0,6-PUR/B-1L-S Order No.: 1669165  
http://eshop.phoenixcontact.de/phoenix/treeViewClick.do?UID=1669165

Circuit diagram

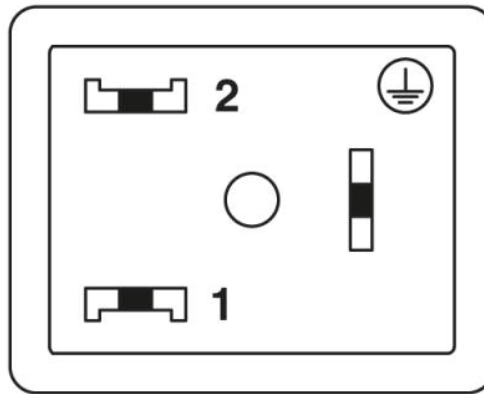


Contact assignment of M12 plug and valve connector

Schematic diagram



Pin assignment M12 plug, 3-pos., valve connector



Valve connector pin assignment, type B

SAC-3P-M12MS/0,6-PUR/B-1L-S Order No.: 1669165  
<http://eshop.phoenixcontact.de/phoenix/treeViewClick.do?UID=1669165>

---

**Address**

PHOENIX CONTACT GmbH & Co. KG  
Flachsmarktstr. 8  
32825 Blomberg, Germany  
Phone +49 5235 3 00  
Fax +49 5235 3 41200  
<http://www.phoenixcontact.de>



© 2009 Phoenix Contact  
Technical modifications reserved;

onlinecomponents.com