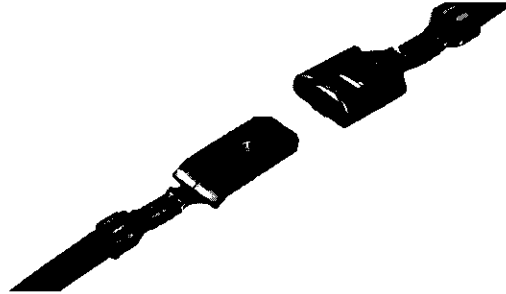


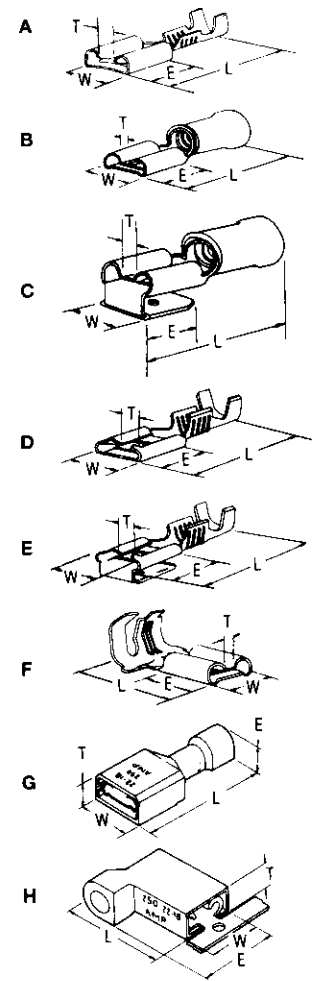
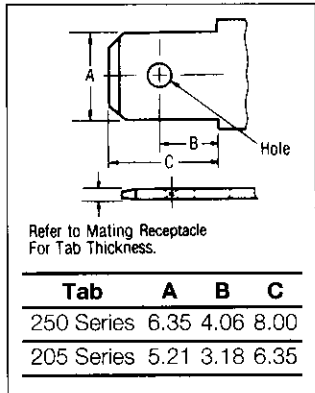
Terminals and Splices

FASTON* Receptacles and Tabs

FASTON Terminals and Splices are the industry's broadest line of quick connect-disconnect receptacles and tab-type terminals. The terminals are available in both straight and flag-types and come in a variety of sizes. Sizes are designated numerically by a series number which corresponds to the width of the mating tab. There are four series "250", "205", "187" and "110".



Receptacles



"250" Series

Style	Wire Size		Wire Ins. Dia.	Fits Tab Thickness	Material /Finish	Dimensions				Part No.		Hand Tool No.
	AWG	mm ²				W	L	E	T	S.T.	L.P.	
A	20-14	0.50-2.27	2.2-3.4	0.8	Brass	7.5	19.2	7.8	0.9	170031-1†	170054-1†	934678-1
	22-18	0.30-0.89	2.3-3.3	0.8	Brass	7.6	19.1	7.8	2.3	170183-1	—	90166-1
					Brass/Tin	—	—	—	—	170183-2	170187-2	—
	18-14	0.75-2.27	2.5-4.3	0.8	Brass	7.6	18.9	7.8	1.7	170213-1	—	—
					Brass/Tin	—	—	—	—	170213-2	—	—
	18-14	0.75-2.27	3.1-3.6	0.8	Brass/Tin	7.6	19.2	7.8	1.7	41274	41729	755336-1
16-12	1.25-3.37	5.3-6.7	0.8	Brass/Tin	7.6	20.8	7.8	1.7	41728	42021	47094	
—	1.75-5.27	3.0-5.0	0.8	Brass/Tin	7.6	19.6	7.8	1.7	170224-2	—	—	
B	22-18	0.25-1.04	3.3 Max.	0.8	Brass/Tin	7.6	21.3	7.8	1.7	—	170603-1	—
					Nylon-Red	—	—	—	—	—	170603-2	—
					Phos.Brz./Tin	—	—	—	—	—	—	—
16-14	1.04-2.63	4.1 Max.	0.8	Nylon-Blue	7.6	21.3	7.8	1.7	—	170604-1	90009-8	
				Phos.Brz./Tin	—	—	—	—	—	—	170604-2	—
C	—	1.00-2.50	4.1 Max.	0.8	Brass/Tin	7.6	21.2	7.7	1.6	—	160463-2	47387-7
E	18-14	0.75-2.27	3.1-4.3	0.8	Brass	7.6	19.6	7.8	2.9	42741-1	42806-1	720725-1
					Brass/Tin	—	—	—	—	42741-2	42806-2	—
F††	18-12	0.75-3.37	2.8-5.3	0.8	Brass/Tin	8.1	17.0	7.8	3.1	41802	42232-3	720575-1
G	22-18	0.30-0.89	3.4 Max.	0.8	Brass/Tin	9.4	21.7	—	5.2	2-520183-2	2-520184-2	90390-3*
					Nylon-Red	—	—	—	—	—	—	—
					Brass/Tin	—	—	—	—	—	—	—
16-14	1.25-2.27	4.1 Max.	—	—	—	—	—	5.7	3-350819-2	3-350820-2	90391-3*	
H	22-18	0.30-0.89	4.2 Max.	0.8	Brass/Tin	9.8	16.1	14.7	5.0	2-520128-2	2-520129-2	90390-3*
					Nylon-Red	—	—	—	—	—	—	—
					Brass/Tin	—	—	—	—	—	—	—
16-14	1.25-2.27	4.7 Max.	—	—	—	—	—	—	3-520132-2	3-520133-2	90391-3*	

†With lance. ††Hermetic Terminals(For internal use only.) *Die insert Number for Hand Tool #58078-3.

"205" Series

A	22-18	0.30-0.89	2.2-3.1	0.5	Brass/Tin	6.4	15.7	6.4	1.3	170122-2	170123-2	90157-1
			2.2-3.2	0.8	Brass/Tin	6.4	15.7	6.4	0.7	170181-2	170182-2	—
			—	0.5	Brass/Tin	6.4	15.7	6.4	0.7	—	—	755336-1
D	22-18	0.30-0.89	2.2-3.2	0.5	Brass/Tin	6.4	15.6	6.4	1.3	42710-2	60557-1†	90157-1
A	18-14	0.75-2.27	3.3-4.6	0.8	Brass	6.4	15.7	6.4	0.7	170179-1	170180-1	409774-1
					Brass/Tin	—	—	—	—	170179-2	170180-2	—
F	20-14	0.50-2.27	2.8-4.3	0.8	Brass	6.4	13.5	6.4	0.6	42234-1	—	—
					Brass/Tin	—	—	—	—	42234-2	—	—

†No preform.