



# 深圳市凯越翔电子有限公司

## 贴片晶振规格书

|         |                |
|---------|----------------|
| 产品名称:   | 贴片晶振           |
| 产品型号:   | 7050/48.000MHZ |
| 产品参数:   | 20PF/±30ppm    |
| 原厂型号:   | K7A480002030   |
| 凯越翔技术部: | 董宗全            |

### 客 户 确 认 栏

|         |           |
|---------|-----------|
| 认 证 印 章 | 负 责 人 印 章 |
| 年 月 日   | 年 月 日     |

本规格章程连同本页共 5 页

## 1. General item

Nominal frequency: **48.000MHz**

Vibration mode: AT Fund.

Operation temperature range: **-40°C~+85°C**

Storage temperature rang: **-40°C~+85°C**

Test machine: **S&A 250B**

Drive level: **100 μW**

Load capacitance: **20 pF**

## 2. Electrical characteristics

Condition: **25 ± 3°C** Relatively humidity  $\leq 60\%$

2.1 Frequency tolerance: **±30ppm**

2.2 Equivalent resistance:  $\leq 30 \Omega$

2.3 Temperature characteristics: **±20ppm**

2.4 Shunt capacitance:  $\leq 7\text{pF}$

2.5 Insulation resistance:  $\geq 500\text{M} \Omega / 100 \pm 15\text{V}_{\text{DC}}$

2.6 Aging characteristics: **±5ppm/year**

## 3. Reliability specification

### 3.1 Drop characteristics

Condition: height 50cm, 3 times, test after 1 hour

Equipment: S&A250B, thickness 3cm hard wood

Standard: frequency change:  $\leq \pm 5\text{ppm}$ , Rr as specification

### 3.2 Shake characteristics

Condition: shake frequency 10~55Hz, cyc1~2 minutes, swing 1.5mm,  
direction x/y/z, all 30 minutes. Test after 1 hour

Equipment: S&A250B, test machine

Standard: frequency change:  $\leq \pm 5\text{ppm}$ , Rr as specification

### 3.3 Airproof characteristics

Condition: put crystal into the pressure cabin with alcohol, keep pressure 0.4-0.5mpa 10 minutes, then take out and blow for 5 minutes

Equipment: IR machine

Standard: IR  $\geq 500 \text{ m}\Omega$

### 3.4 Weld characteristics

Condition:  $235 \pm 5^\circ\text{C}$ 、3 seconds

Equipment: test machine

Standard: 90% adhibit tin ok

### 3.5 Humidity characteristics

Condition:  $40^\circ\text{C} \pm 2^\circ\text{C}$  , humidity 90-95%,250 hours.

Equipment: S&A250B, test cabin

Standard: frequency change:  $\leq \pm 5\text{ppm}$ , Rr as specification

### 3.6 Low temperature characteristics

Condition:  $-30^\circ\text{C} \pm 2^\circ\text{C}$  , after 250 hours, put in room temperature 1 hour

Equipment: S&A250B, test machine

Standard: frequency change:  $\leq \pm 5\text{ppm}$ , Rr as specification

### 3.7 High temperature characteristics

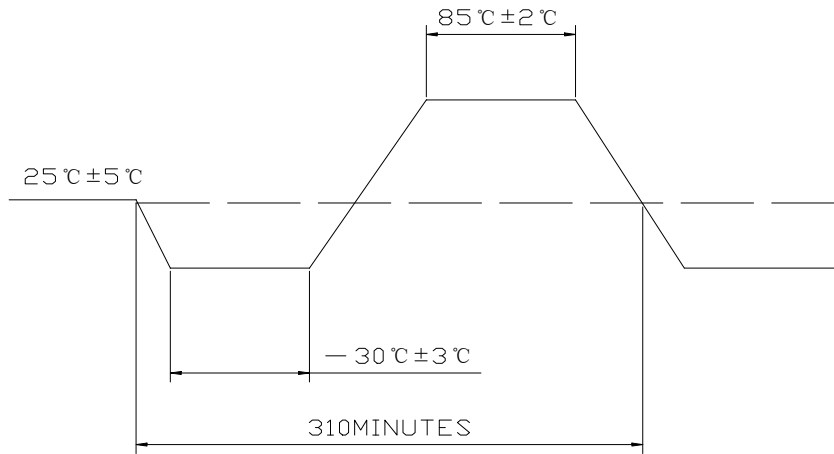
Condition:  $85^\circ\text{C} \pm 2^\circ\text{C}$  , after 250 hours, put in room temperature 1 hour

Equipment: S&A250B, test machine

Standard: frequency change:  $\leq \pm 5\text{ppm}$ , Rr as specification

### 3.8 Temperature cycling

Condition:



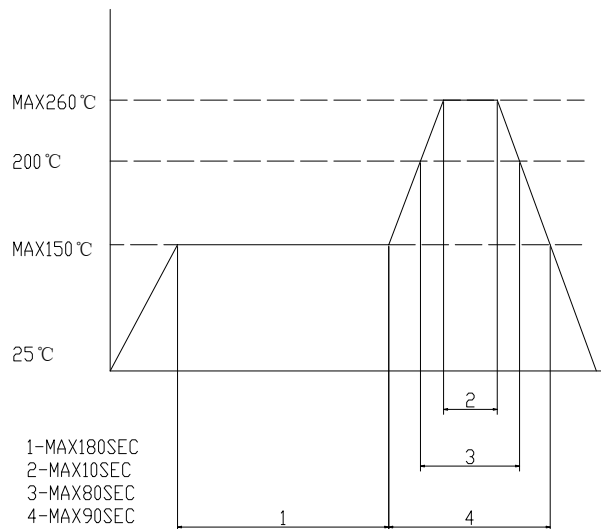
AFTER TEMPERATURE CYCLING

Equipment: S&A250B, test machine。

Standard: frequency change:  $\leq \pm 5\text{ ppm}$ , Rr as specification

### 3.9 Refluence examination

Condition:



Equipment: S&A250B, test machine

Standard: frequency change:  $\leq \pm 10\text{ ppm}$ ,

Rr as specification

