

**H MICRO SWITCH**  
 FREEPORT, ILLINOIS, U.S.A.  
 A DIVISION OF HONEYWELL  
 FED. MFG. CODE 91929

**SWITCH - TOGGLE**

CATALOG LISTING  
**12TW8 SERIES**  
**CHART 1**

DRAWING NUMBER  
**M12TW8 SERIES CHART 1**  
 PAGE 1 OF 1

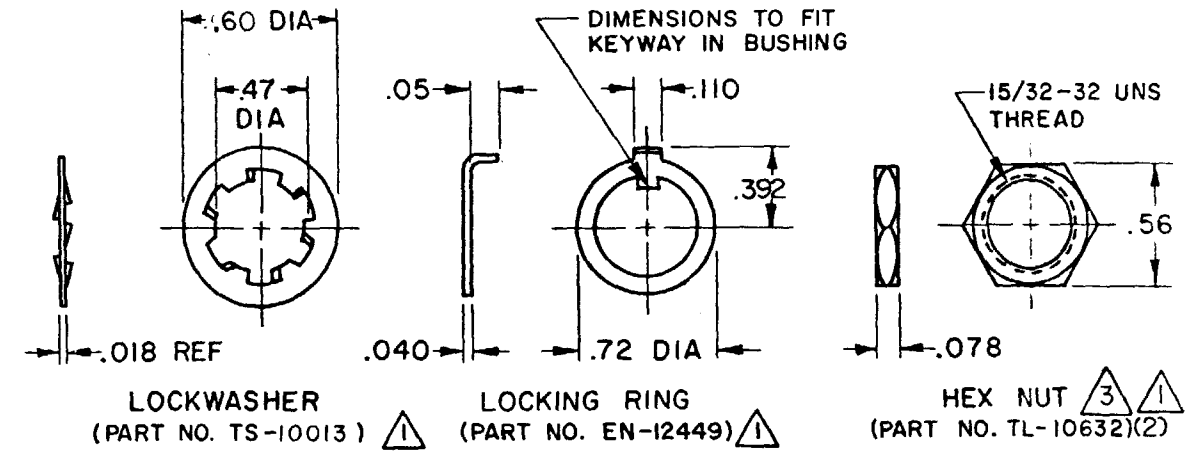
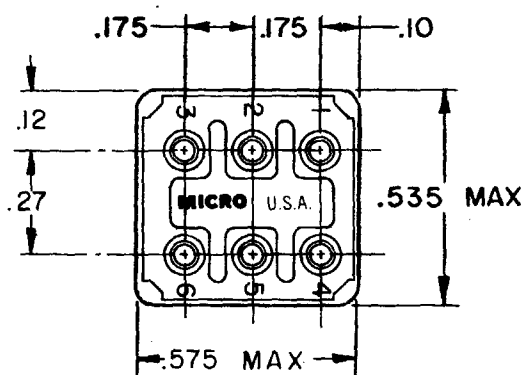
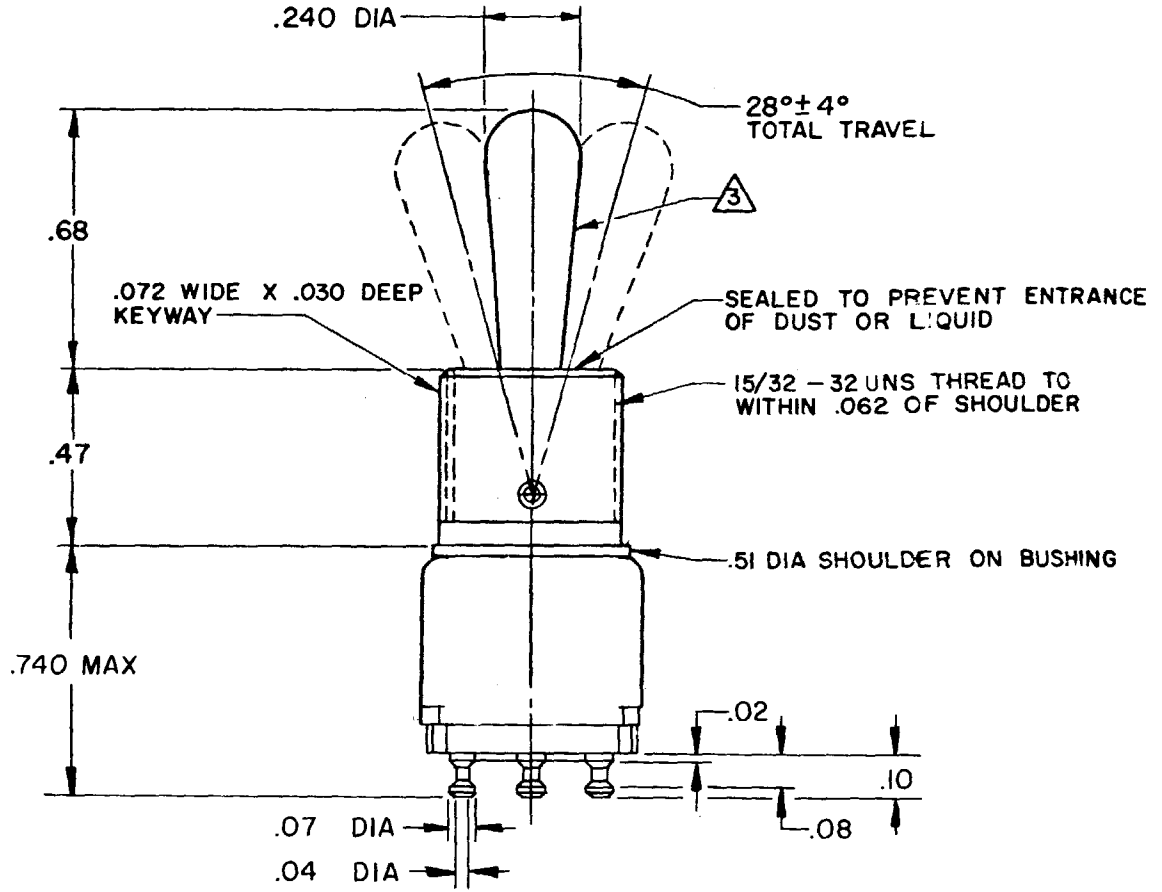
ISSUE  
**8**

REVISIONS  

A	CORR	18 JUN 73
B	PR-4606	19 DEC 74
C	C050565	16 DEC 81
D	C061252	
E	J A P	13 MAR 87
F	TSK	22 JUL 87
G	TSK	24 FEB 88
H	CO-93153	
I	J J A	13 MAY 99

FORMTEK  
 FO-80378-003  
 DRAWN  
 D B W 11 APR 73

CHECK  
 PR-3286  
 RELEASE NO.



CATALOG LISTING	CIRCUIT WITH TOGGLE IN				
	ONE EXTREME POSITION (KEYWAY)		CENTER POSITION	OTHER EXTREME POSITION (OPPOSITE KEYWAY)	
	2-1	5-4		2-3	5-6
12TW8-1	ON		OFF		ON
12TW8-2	OFF		NONE		ON
12TW8-3	ON		NONE		ON
(G)	MOM ON		OFF		ON
12TW8-7	MOM ON		OFF		MOM ON
12TW8-8	MOM ON		NONE		ON

NOTE -  
 $\Delta$  1 - FURNISHED UNASSEMBLED  
 $\Delta$  2 - TERMINALS ARE PLATED FOR SOLDERING  
 $\Delta$  3 - MATTE FINISH  
 $\Delta$  4 - GOLD PLATED CONTACTS

THIS DRAWING COVERS A PROPRIETARY ITEM AND IS THE PROPERTY OF MICRO SWITCH, A DIVISION OF MINNEAPOLIS-HONEYWELL REGULATOR CO. THIS DRAWING IS NOT TO BE COPIED OR USED WITHOUT THE APPROVAL OF MICRO SWITCH.

CHARACTERISTICS	ELECTRICAL DATA	SCALE 2 TO 1
	CONTACT ARRANGEMENT	DO NOT SCALE PRINT
	-L117- 5A-125 VAC	UNLESS OTHERWISE NOTED DIMENSIONS ARE IN INCHES TOLERANCES ARE: ONE PLACE (.0) ±.030 TWO PLACE (.00) ±.015 THREE PLACE (.000) ±.005 ANGLES ±
		WEIGHT .025 LB MAX