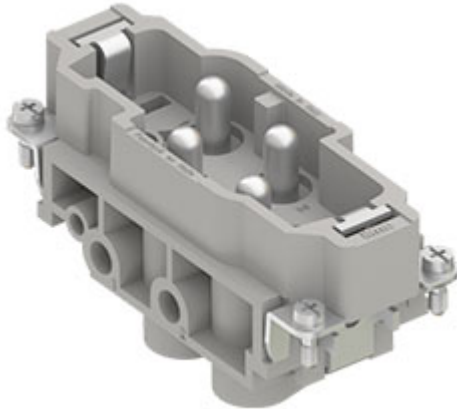




Part number

# CXM 4/0



## Brief description:

male insert, 4 poles + PE, screw terminal connection, 80A, 830V, size "77.27", CLASS inserts

Product description		Approvals / Standards	
<b>Model</b>	male insert	<b>Reference standard</b>	EN 61984:2009-06
<b>Version</b>	screw terminal connections	<b>Quality mark</b>	 DNV-GL, EAC
<b>Series</b>	CX	<b>Conformity</b>	CQC, CE
<b>Product type</b>	with male contacts	<b>General ordering information</b>	
<b>Family</b>	CLASS inserts	<b>EAN13 code</b>	8015747042581
<b>Size</b>	size "77.27"	<b>Tariff number</b>	85369095
<b>N. of poles</b>	4 poles + 	<b>Country of origin</b>	Made in EU (IT)
<b>Technical data</b>		<b>ETIM classification</b>	EC000438
<b>Current</b>	80 A (A.C. and D.C.)	<b>Packaging Information</b>	
<b>Voltage</b>	830 V	<b>Packaging length</b>	245,00 mm
<b>Rated impulse withstand voltage</b>	8 kV	<b>Packaging height</b>	165,00 mm
<b>Pollution degree</b>	3	<b>Packaging width</b>	215,00 mm
<b>Wire cross-section</b>	4,00 mm <sup>2</sup> - 16,00 mm <sup>2</sup>	<b>Packaging weight</b>	3,82 kg
<b>AWG size</b>	12 - 6	<b>Packaging volume</b>	8,69 dm <sup>3</sup>
<b>Operating temperature range (min, max)</b>	-40°C ... +125°C	<b>Packaging description</b>	Carton box
<b>Contact type</b>	silver plated	<b>Packaging quantity</b>	30 Pcs
<b>Mating cycles</b>	≥ 500	<b>Packaging EAN code</b>	8015747191821
<b>IP degree of protection</b>	IP20 without enclosure, IP65/IP66/IP68/IP69 with enclosure	<b>Sub-packaging length</b>	87,00 mm
<b>Further technical details</b>		<b>Sub-packaging height</b>	36,00 mm
<b>Characteristics according to EN 61984</b>	80A 830V 8kV 3	<b>Sub-packaging width</b>	180,00 mm
<b>Insulation resistance</b>	≥ 10 GΩ	<b>Sub-packaging weight</b>	0,64 kg
<b>Contact resistance</b>	≤ 0.3 mΩ	<b>Sub-packaging volume</b>	0,56 dm <sup>3</sup>
<b>Rated voltage according to UL/CSA</b>	600V	<b>Sub-packaging description</b>	Carton tray
<b>UL 94 flammability rating</b>	V-0	<b>Sub-packaging quantity</b>	5 Pcs
<b>Weight</b>	113,50 g	<b>Sub-packaging EAN barcode</b>	8015747042598

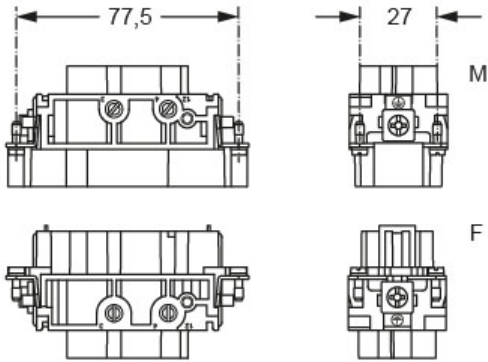
Part number

# CXM 4/0

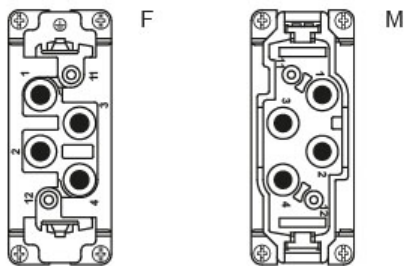


Catalogue drawings

Derating curves



contacts side (front view)



CX 4/0 poles connector inserts  
Maximum current load derating diagram

