

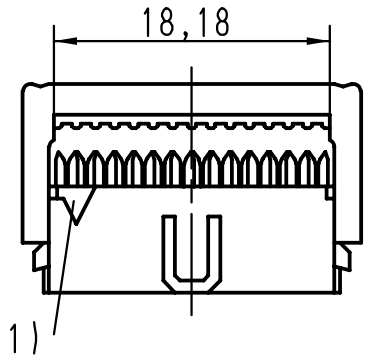
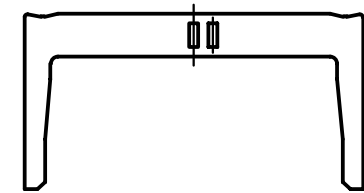
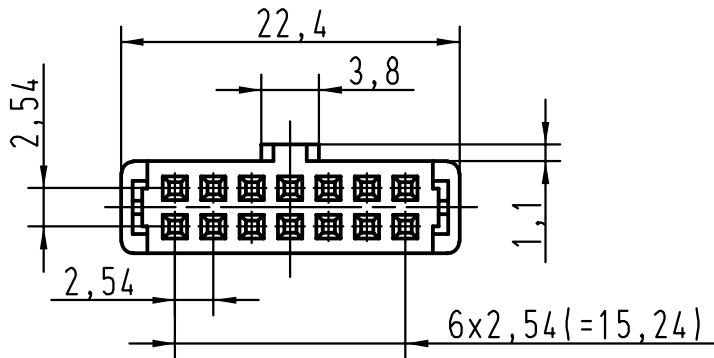
5

4

3

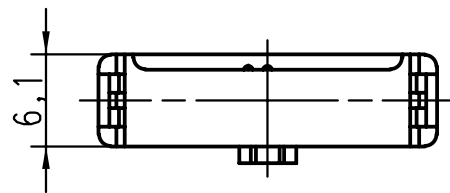
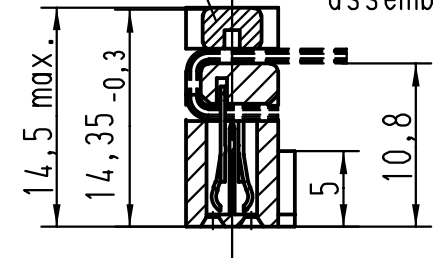
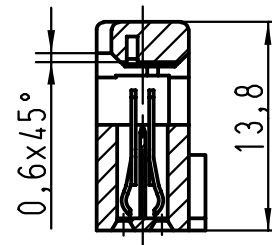
2

1



vorverrastet
pre assembled
preassemble

strain relief verrastet
fitted
assemble



1) Markierung erster Kontakt, Ader 1 des Flachkabels
1) Contact no.1, 1st wire of flat cable
1) Contact no.1, repère 1 du câble

		All Dimensions in mm Original Size DIN A 4			Techn. Character.			Nicht tolerierte Masse/ Free size tolerances			
					Detail.		Dat.	Name	SEK 18 Female connector 14 poles with central polarisation without cable stop with strain relief		
A		09185145813	0,76 µm Au		Insp.	01-FEB-00	Th	JMV			
		09185146813	2		Stand.						
		09185147813	3						TB 0918514X813 Sub.		
Bestell-Nr. Part-No. Reference		Anforderungsstufe performance level Niveau de qualite		26570	01-FEB-00	JB	HARTING EURL F-95972 Paris				
		Mod.	Dat.	Name							Blatt/ page 1/1