

02 0272

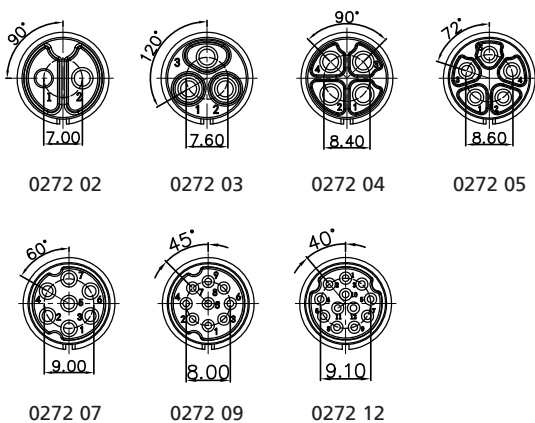
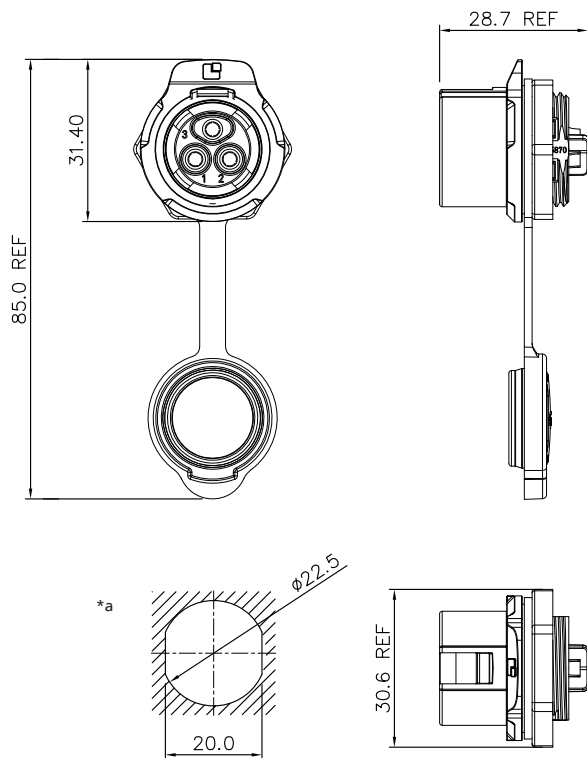
Quicklock circular connectors, IP67



Quicklock chassis socket, IP67, size 20, straight version,
with plastic housing, solder terminals and protecting cap
(IP65)

Approvals:  

02 0272



*a port

Environmental conditions

Temperature range -40 °C/+80 °C

Materials

| | |
|-----------------|----------------------------|
| Insulating body | PBT, V-0 according to UL94 |
| Contact bush | CuSn, gold-plated |
| Housing | PBT, V-0 according to UL94 |
| Cap | SI |
| Hexagonal nut | PBT, V-0 according to UL94 |

Mechanical data

| | |
|------------------|----------------------------|
| Mating cycles | 1700 |
| Insertion force | ≤ 130 N |
| Withdrawal force | ≤ 120 N |
| Protection class | IP67 (protecting cap IP65) |

Connectable conductors for solder area

| | |
|---------|------------------------------------|
| Section | ≤ 2.5 mm ² (2-4 poles) |
| | ≤ 1.5 mm ² (5-7 poles) |
| | ≤ 1.0 mm ² (9-12 poles) |

Electrical data (at T_{amb} 20 °C)

| | |
|-----------------------|--|
| Contact resistance | ≤ 5 mΩ |
| Rated current | 20 A (2-4 poles) 12 A (5-7 poles) 5 A (9-12 poles) |
| Rated voltage | 500 V |
| Rated impulse voltage | 2500 V AC (2-7 poles) 1500 V AC (9-12 poles) |
| Creepage distance | ≥ 2 mm |
| Clearance | ≥ 2 mm |
| Insulation resistance | > 500 MΩ |

Associated products

Counterparts
☞ 0252

02 0272

| Designation | Pole Number | PU (Pieces) | MDQ (Pieces) |
|-------------|-------------|-------------|--------------|
| 0272 02 | 2 | 10 | 40 |
| 0272 03 | 3 | 10 | 40 |
| 0272 04 | 4 | 10 | 40 |
| 0272 05 | 5 | 10 | 40 |
| 0272 07 | 7 | 10 | 40 |
| 0272 09 | 9 | 10 | 40 |
| 0272 12 | 12 | 10 | 40 |

Packaging:

in individual plastic bags, in a cardboard box