



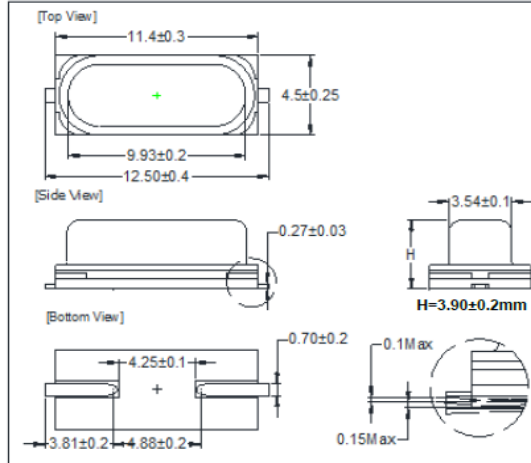
**TYPICAL APPLICATION**

- Bluetooth ,Automotive,Wireless
- Computers, Modems, Communications
- Set-top Box, DECT/WD

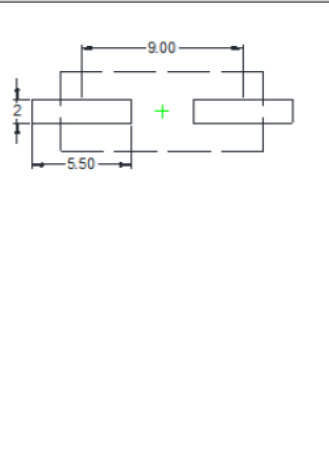


**DIMENSIONS (mm)**

Product Dimensions



Solder Pad Layout Dimensions



**ELECTRICAL SPECIFICATION**

PARAMETERS	XSD-49SMD			UNITS	CONDITIONS
	MIN	TYP	MAX		
Nominal Frequency	3	-	32	MHz	-
Mode of vibration	AT Fundamental				-
Frequency Tolerance	±5ppm~±50ppm			ppm	@+25°C±3°C
Frequency Stability	Table 2			ppm	Ref 25°C±3°C
Load Capacitance	6pF~100pF or specify			pF	-
Shunt Capacitance	-	-	7	pF	@+25°C±3°C
Equivalent Series Resistance	Table 1			Ω	-
Drive Level	-	100	500	uW	-
Aging (First Year)	-5	-	5	ppm	-
Insulation Resistan	500	-	-	MΩ	@DC100V

**EQUIVALENT SERIES RESISTANCE (Table 1)**

Frequency Range	MODE	E.S.R(Ω)
3MHz ≤ F0 < 5MHz	AT Fundamental	150
5MHz ≤ F0 ≤ 9MHz	AT Fundamental	80
9MHz < F0 < 12MHz	AT Fundamental	60
12MHz ≤ F0 ≤ 16MHz	AT Fundamental	40
16MHz < F0 < 25MHz	AT Fundamental	30
25Hz ≤ F0 ≤ 32MHz	AT Fundamental	25

**FREQ. STABILITY vs. TEMP. RANGE (Table 2)**

Temp.°C	ppm		
	±5	±10	±20
0~70	○	○	○
-20 ~ 70	X	○	○
-40 ~ 85	X	X	○

○: Available △:Conditional X: Not available

Other special specifications are designed to customer's requirements,More details available