

**Ordering number FCN11459_LED1-M2**

Family	Leila	FWHM	(simulated) 28
Type	-	Efficiency	(simulated) 0 %
LED	XR-E	cd/lm	-
Color	White	Gerber File	Available
Diameter	21.6 mm		
Height	16.5 mm		
Style	Round		
Optic Material	PMMA		
Holder Material	PC		
Fastening	Glue		
Status	Ready		

**Ordering number FCN10808_LED1-RS**

Family	Leila	FWHM	6 degrees
Type	-	Efficiency	(simulated) 0 %
LED	XR-E	cd/lm	-
Color	White	Gerber File	Available
Diameter	21.6 mm		
Height	16.5 mm		
Style	Round		
Optic Material	PMMA		
Holder Material	PC		
Fastening	Glue		
Status	Ready		

**Ordering number FCN10810_LED1-D**

Family	Leila	FWHM	10 degrees
Type	-	Efficiency	(simulated) 0 %
LED	XR-E	cd/lm	-
Color	White	Gerber File	Available
Diameter	21.6 mm		
Height	16.5 mm		
Style	Round		
Optic Material	PMMA		
Holder Material	PC		
Fastening	Glue		
Status	Ready		

**Ordering number FCN11104_LED1-O-90**

Family	Leila	FWHM	10+42 degrees
Type	-	Efficiency	85 %
LED	XR-E	cd/lm	-
Color	White	Gerber File	Available
Diameter	21.6 mm		
Height	16.5 mm		
Style	Round		
Optic Material	PMMA		
Holder Material	PC		
Fastening	Glue		
Status	Ready		

**Ordering number FCN11372_LED1-MD**

Family	Leila	FWHM	24 degrees
Type	-	Efficiency	90 %
LED	XR-E	cd/lm	-
Color	White	Gerber File	Available
Diameter	21.6 mm		
Height	16.5 mm		
Style	Round		
Optic Material	PMMA		
Holder Material	PC		
Fastening	Glue		
Status	Ready		

**Ordering number FCN10807_LED1-M**

Family	Leila	FWHM	28 degrees
Type	-	Efficiency	(simulated) 0 %
LED	XR-E	cd/lm	-
Color	White	Gerber File	Available
Diameter	21.6 mm		
Height	16.5 mm		
Style	Round		
Optic Material	PMMA		
Holder Material	PC		
Fastening	Glue		
Status	Ready		

**Ordering number FCN10809_LED1-REC**

Family	Leila	FWHM	42+22 degrees
Type	-	Efficiency	(simulated) 0 %
LED	XR-E	cd/lm	-
Color	White	Gerber File	Available
Diameter	21.6 mm		
Height	16.5 mm		
Style	Round		
Optic Material	PMMA		
Holder Material	PC		
Fastening	Glue		
Status	Ready		

NOTE: The typical divergence will be changed by different color, chip size and chip position tolerance. The typical total divergence is the full angle measured where the luminous intensity is half of the peak value.



PRODUCT DATASHEET

Leila series

last update 14/6/2012

GENERAL INFORMATION

- Product series especially designed & optimized for XR-E series of LEDs.
- Special care taken to make light distribution as uniform as possible.
- Lens material optical grade PMMA with high UV and temperature resistance (105 degrees of Celcius / 220 degrees of Fahrenheit). Allows use of high current and temperature conditions.

Please find more information about used material from below:

http://ledil.fi/sites/default/files/Documents/Technical/Material/PMMA%20N%20UL94_Yellow%20Card.pdf

<http://ledil.fi/sites/default/files/Documents/Technical/Material/PMMA%20N%20PLEXIGLAS-Datasheet.pdf>

- Optic holder molded by high quality PC material (120 dergees of Celcius / 248 degrees of Fahrenheit).

- Fastening to PCB with appropriate adhesive. By clicking link below you can find Ledil recommended glue options.

http://www.ledil.com/datasheets/DataSheet_GLUES.pdf

NOTE 1: We advise customer to ensure the suitability and sufficiency of the bond in the end product. For example, mechanical stress, vibration and holes on the surface of the circuit board weaken the strength of the glue.

NOTE 2: All surfaces where glue is applied must be clean, dry and free from grease and dirt. If cleaning of PCB surfaces is needed, please follow strictly the cleaning instructions of your LED manufacturer -this is important as cleaning shall under no circumstances damage LEDs or other electronics components on the PCB.

Further note that optical components shall not be cleaned with any chemicals - only micro fiber cloth may be used to remove fingerprints or other traces from handling.

D

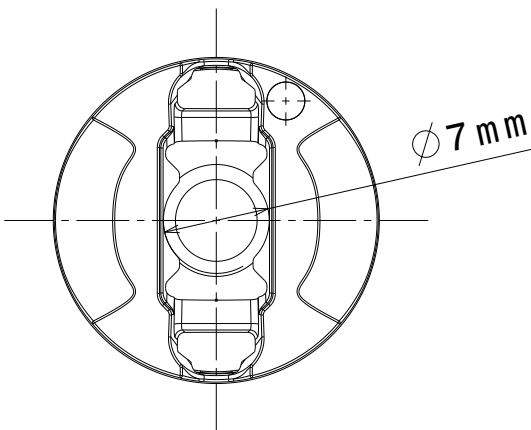
C

B

A

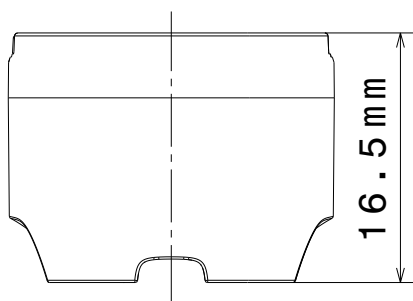
4

4



3

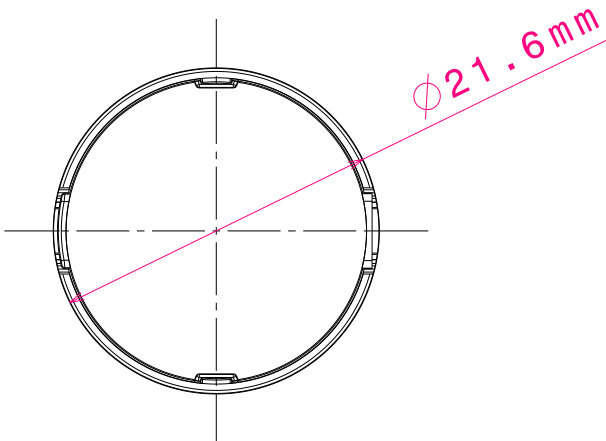
3



2

2

Materials:
 Lens PMMA
 Holder PC



This drawing is our property.
 It can't be reproduced
 or communicated without
 our written agreement.



L
T
F
F

e
e
i
i
N
n

d
h

DRAWING TITLE

Datasheet LC1-Series Assy

DRAWN BY

DATE

29.04.2009

CHECKED BY

DATE

29.04.2009

SIZE

A4

DRAWING NUMBER

REV

1

DESIGNED BY

HH

DATE

21.02.2008

SCALE

2:1

WEIGHT (g)

SHEET

1/1

D

A

1

1