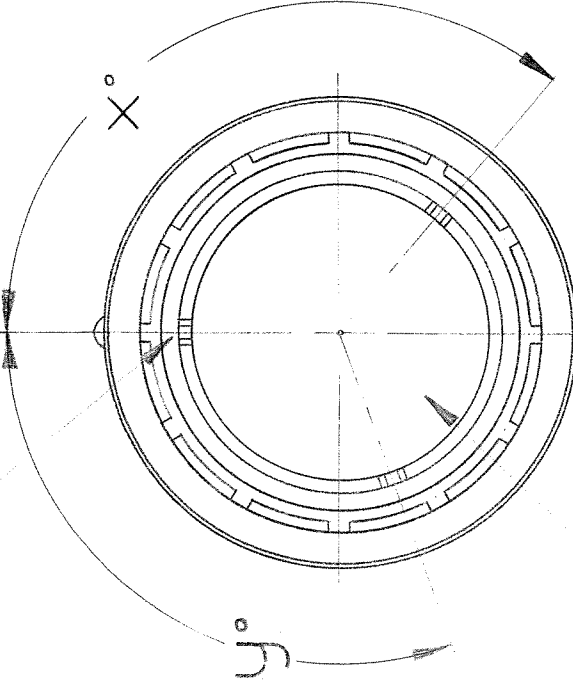


- ①
- ②
- ③
- ④
- ⑤
- ⑥
- ⑦
- ⑧
- ⑨
- ⑩
- ⑪
- ⑫
- ⑬



SEE NOTE #2

FACE VIEW
(as viewed from engaging end)

SEE NOTE #4

1.255
1.225

CODE	ITEM	DESCRIPTION	CODE	STANDARD MATERIAL & FINISH
	1	CONTACT, PIN COAXIAL HOUSING	1	ALUMINUM ALLOY QQ-A-225/5, TEMPER T451 or T4 of QQ-A-225/6 TEMPER T6.
12.10.5	8	SOCKET (INNER CONTACT) BUSHINGS	2	BRASS QQ-B-626, COMP. 360, 1/2 HARD.
12.2	8	JERK RINGS	3	LEADED COPPER ANACONDA 1870.
12.2	2	CONTACT, SOCKET COAXIAL HOUSING & JERK RINGS	4	BERYLLIUM COPPER (ALLOY 175), H.T.
11.3	8	PIN (INNER CONTACT) BUSHINGS	5	BERYLLIUM COPPER, ALLOY 173, QQ-C-533, 1/4 HARD.
11.3	8	CONTACT, PIN POWER	6	BERYLLIUM COPPER, ALLOY 173, QQ-C-533, 1/2 HARD.
10.4.2	4a	CONTACT, SOCKET POWER (#12 & #16 GAGE)	7	DIALYL PHTHALATE MIL-M-14, SDG-F.
11.6.3	4b	CONTACT, SOCKET POWER (#22 GAGE)	8	TEFLON A S-3651 & MIL-P-19468.
	5	INSERT, FRONT	9	SILICONE RUBBER ZZ-R-765, CLASS II.
	6	INSERT, REAR	10	GOLD PLATED MIL-C-45204, TYPE II, CLASS I, GR.C.
	7	CAP, BEND RELIEF	11	GOLD PLATE MIL-C-45204, TYPE II, CLASS II, GR.C.
9	8	PLUG SUBASSEMBLY	12	SILVER PLATE .0002-.0004, QQ-S-365, TYPE II, GR.B.
15.1		RING, COUPLING & PLUG SHELL	13	CAD. PLATE .0002-.0004, QQ-P-416, TYPE II, CLEAR.
15.14		SPRING LOCKING KEY	14	ALUMINUM ALLOY QQ-A-225/6, TEMPER T4 or T6.
17.16		"O" RING	15	CLEAR ANODIZE MIL-A-8625, TYPE II.
9		FOLLOWER SUBASSEMBLY	16	STAINLESS STEEL MIL-S-7720, TYPE 303.
1.15		FOLLOWER	17	PASSIVATE & BLACK OXIDE, MIL-C-13924, CLASS III.
5.13		SPRING		
9	10	GROMMET (SEALED ONLY)		
9	11	"O" RING, FOLLOWER (SEALED ONLY)		
9	12	"O" RING, RETAINING NUT (SEALED ONLY)		
1.15	13	NUT, RETAINING		
		CATALOG NO.		"A" DIA "B" ±.031
		A43*P-**		.760 1.578
		B43*P-**		.947 1.656
		C43*P-**		1.135 1.750

- NOTES: 1. THIS IS A GENERAL SPECIFICATION CONTROL DRAWING AND DRAWING NUMBER SHOULD NOT BE USED FOR ORDERING. ORDERS PLACED BY "CATALOG NUMBERS ONLY".
2. SEE CATALOG FOR COMPLETE ORDERING INFORMATION, VARIOUS LAYOUTS, AND ALTERNATE POL. POSITIONS.
3. RECOMMEND ORDERING: PIN CONTACTS (POWER OR COAXIAL) WITH RECEPTACLE CONNECTOR; SOCKET CONTACTS (POWER OR COAXIAL) WITH PLUG CONNECTOR.
4. CONNECTOR CATALOG NUMBER WILL BE STAMPED PER MEP#203-05 IN AREA INDICATED.

-TYPICAL CATALOG NUMBER (SEE NOTE #2)-

A 43 SERIES E P - 2 S - 14
 SIZE SERIES E P - 2 S - 14
 E-SEALED SHELL LAYOUT CONTACT
 A-UNSEALED TYPE TYPE IF REO'D.

5-1532146-7

<p>ASSEMBLY NO REQ'D</p>		<p>Revised & Redrawn</p>		<p>BY DATE APP</p>	
<p>NEXT ASSEMBLIES</p>		<p>2305</p>		<p>DD 2/17/73</p>	
<p>LET ECO</p>		<p>Revision DESCRIPTION</p>		<p>BY DATE APP</p>	
<p>F</p>		<p>PLUG, PUSH-PULL COUPLING</p>		<p>BY DATE APP</p>	
<p>PROD. CODE 984</p>		<p>NOTED</p>		<p>BY DATE APP</p>	
<p>SCALE -</p>		<p>MATERIAL</p>		<p>BY DATE APP</p>	
<p>DATE 1-18-78</p>		<p>NOTED</p>		<p>BY DATE APP</p>	
<p>DRAWING NUMBER 081-1037-0000 F</p>		<p>SURFACE TREATMENT</p>		<p>BY DATE APP</p>	
<p>APP</p>		<p>MALCO</p>		<p>BY DATE APP</p>	
<p>CHECKED BY C.E.HAETRICK</p>		<p>A MICRODOT COMPANY, INC.</p>		<p>BY DATE APP</p>	
<p>DRAWN BY DRAGOLJLOVIC</p>		<p>220 PASADENA AVE., SO. PASADENA, CALIF.</p>		<p>BY DATE APP</p>	