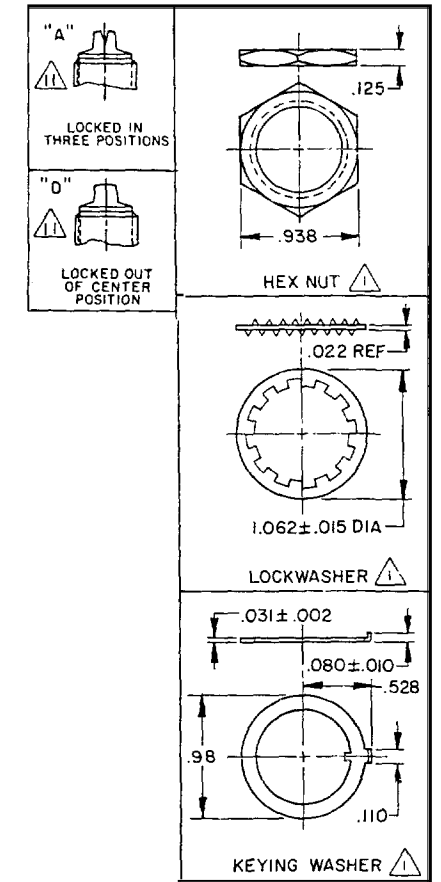
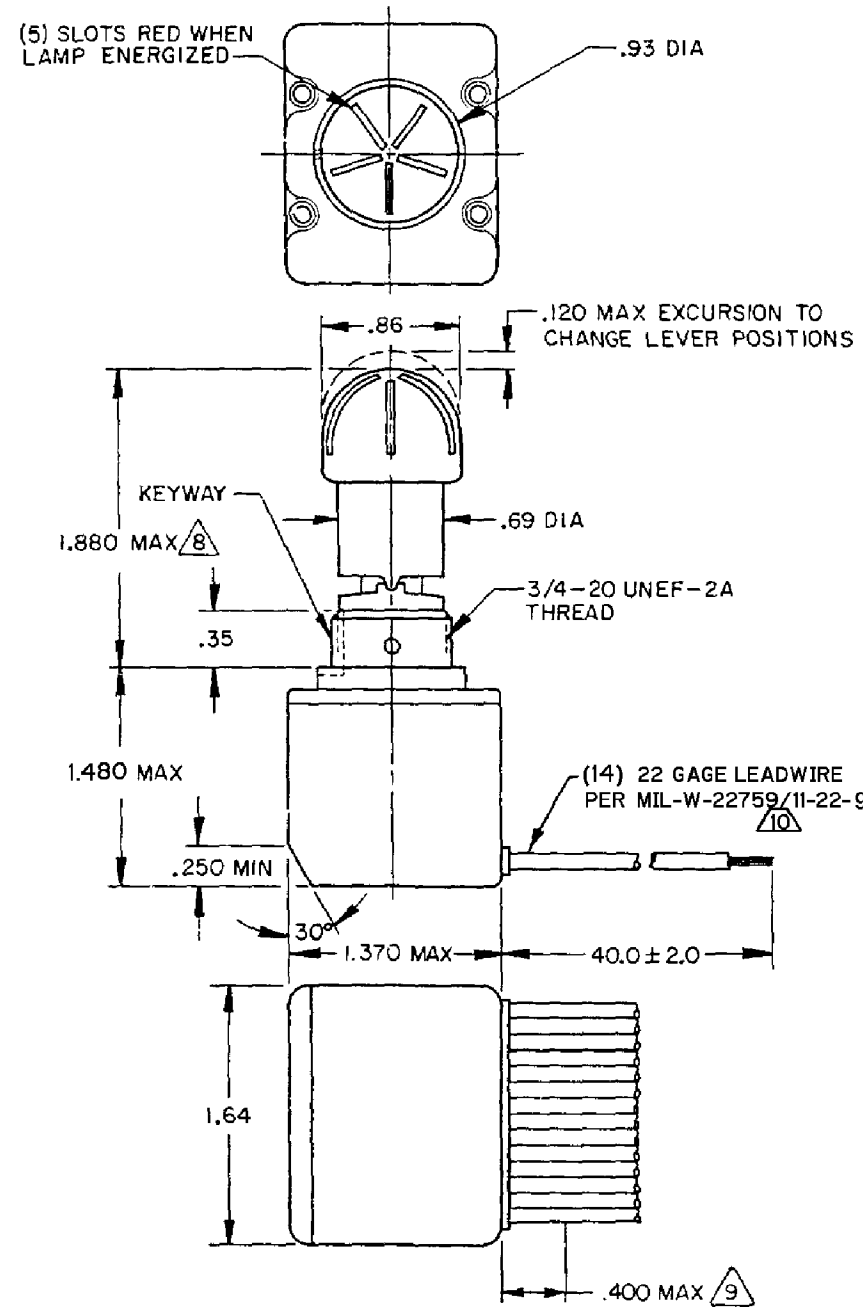


HONEYWELL  
PART NUMBER

4TL32 SERIES CHART 1

REV	DOCUMENT	CHANGED BY	CHECK
14	0016336	VKR 25OCT05	BP



- NOTES
- <sup>1</sup> (1) EACH FURNISHED UNASSEMBLED FOR 4TL32-12A
  - <sup>2</sup> LEVER LOCKED IN ALL POSITIONS
  - 3 - 28 VOLT T-1 3/4 LAMP PER MS 25237-387 FURNISHED IN LEVER KNOB
  - 4 - LAMP TERMINALS ARE 13 AND 14
  - 5 - SWITCHES ARE CAPABLE OF WITHSTANDING A TEMPERATURE OF 131°F CONTINUOUSLY AT FULL RATED LOAD
  - 6 - MICRO SWITCH CATALOG LISTING, CIRCUITRY, DATE CODE AND LAMP PER MS 25237-387 STAMPED ON SIDE OF SWITCH
  - 7 - BUSHING IS SEALED TO PREVENT ENTRY OF NON TOXIC LIQUID SPILLS
  - <sup>8</sup> THIS DIMENSION APPLIES WITH PANEL KEY WASHER INSTALLED ON BUSHING SHOULDER, AND WITH 4TL32-12A TOGGLE LEVER IN THE CENTER DETENT POSITION
  - <sup>9</sup> EPOXY BUILD UP ALLOWED ON WIRES ONLY
  - <sup>10</sup> LEADWIRES MARKED WITH CIRCUIT IDENTIFICATION AND WIRE GAGE 1-22, 2-22, ETC) PER MIL-W-5088
  - <sup>11</sup> SUFFIX LETTER MUST BE ADDED FOR DESIRED TYPE TOGGLE
  - <sup>12</sup> LEVER LOCKED OUT OF CENTER POSITION FOR 4TL32-3D
  - 13 - COMPLETE ASSEMBLIES SHALL BE INSPECTED PER APPLICABLE HONEYWELL INSPECTION CONTROL PLAN (ATP)
  - 14 - SWITCH MATERIALS EXPOSED IN FRONT OF PANEL HAVE COLOR AND FINISH AS ON CHART BELOW:

PART	COLOR	FINISH
LENS	POLYCARBONATE / 09-52370 (RED)	MATTE
BUTTON	30% GLASS FILLED FLAME RETARDANT PBT / 96-00259 (BLACK)	MATTE
LEVERS/INSERT	416SST	MATTE
BUSHING	303SST	AS MACHINED
HARDWARE		
WASHER-SPEC	302SST	DULL COLD ROLLED
NUT	303SST	AS MACHINED
WASHER-LOCK	410SST	AS BLANKED

- <sup>15</sup> "FAA-PMA" MUST BE MARKED ON SWITCH
- <sup>16</sup> FOR MANUFACTURING DETAIL SEE THE CORRESPONDING ASSEMBLY DRAWING FOR EACH LISTING FOR FAA-PMA.

CATALOG LISTING	CIRCUIT MADE WITH TOGGLE LEVER IN			ELECTRICAL DATA
	KEYWAY SIDE (2-3,5-6,8-9, 11-12)	CENTER (2-3,4-5,7-8, 11-12)	OPPOSITE KEYWAY (1-2,4-5,7-8, 10-11)	
FAA-PMA <sup>15</sup> <sup>16</sup> 4TL32-3D	ON	NONE	ON	28 VDC 10 AMPS RESISTIVE 4 AMPS INDUCTIVE 2 AMPS MOTOR
<sup>2</sup> <sup>10</sup>	ON	ON	ON	

WEIGHT: 10.5 OZ MAX

REPLACES: X92331-TL  
X92332-TL

DESIGN UNITS: INCH  
TOLERANCES UNLESS NOTED:

ONE PLACE	.X	±	0.030
TWO PLACE	.XX	±	0.015
THREE PLACE	.XXX	±	0.005
ANGLES		±	

THIRD ANGLE PROJECTION

DRAWN	TSM	15 OCT 97
CHECK		
THIS DRAWING COVERS A PROPRIETARY ITEM AND IS THE PROPERTY OF HONEYWELL. THIS DRAWING IS NOT TO BE COPIED OR USED WITHOUT THE PERMISSION OF HONEYWELL.		
INTERPRET PER ASME Y14.5M-1994 OTHER HONEYWELL ENGINEERING STANDARDS MAY APPLY		
RASTER		

<b>Honeywell</b>			
TITLE <b>SWITCH-TOGGLE</b>			
SIZE	TYPE	DRAWING NAME	REV
<b>B</b>	<b>I</b>	<b>4TL32 SERIES CHART 1</b>	<b>14</b>
SCALE	FULL	SHEET	1 OF 1