

Safety module - AXL F SSDI8/4 1F - 2702263

Please be informed that the data shown in this PDF Document is generated from our Online Catalog. Please find the complete data in the user's documentation. Our General Terms of Use for Downloads are valid (<http://phoenixcontact.com/download>)



Safety-related digital input module, IP20 protection, for the SafetyBridge system. The module has 4 safe digital inputs for two-channel assignment or 8 safe digital inputs for single-channel assignment.

Product Description

The safety module is an input module from the Axioline F product range for use in a SafetyBridge technology V3 system. The safety module can be used as part of an Axioline F station at any point within an EtherCAT[®], EtherNet/IP[™], Sercos, Modbus, PROFINET or PROFIBUS system. The module has four safe digital inputs for two-channel assignment or eight safe digital inputs for single-channel assignment. Depending on the installation and parameterization, in the SafetyBridge technology V3 system the safety module can achieve the following safety integrity:


- Up to SIL 3 according to standard EN 61508
- Up to SILCL 3 according to standard EN 62061
- Up to Cat. 4/PL e according to standard EN ISO 13849-1

Why buy this product

- ✓ Cost-effective system configuration, as no safety PLC or safe fieldbus system is required
- ✓ Flexible use, thanks to compatibility with all bus couplers from the Axioline F range
- ✓ Reduced installation time, thanks to fast wiring and easy handling
- ✓ Easy configuration using the free SAFECONF software
- ✓ Up to SIL 3 according to EN 61508
- ✓ Up to SILCL 3 according to EN 62061
- ✓ Up to cat. 4/PL e according to EN ISO 13849-1



Key Commercial Data

Packing unit	1 STK
GTIN	 4 055626 066813
GTIN	4055626066813
Weight per Piece (excluding packing)	347.600 g
Custom tariff number	85389091
Country of origin	Germany

Safety module - AXL F SSDI8/4 1F - 2702263

Technical data

Dimensions

Width	53.6 mm
Height	126.1 mm
Depth	54 mm
Note on dimensions	Housing dimensions

Ambient conditions

Ambient temperature (operation)	-35 °C ... 60 °C (Mounting position: any)
Ambient temperature (storage/transport)	-40 °C ... 85 °C
Permissible humidity (operation)	10 % ... 75 % (on average, 85% infrequently, non-condensing)
Permissible humidity (storage/transport)	10 % ... 75 % (non-condensing)
Air pressure (operation)	70 kPa ... 108 kPa (up to 3000 m above sea level)
Air pressure (storage/transport)	66 kPa ... 108 kPa (up to 3500 m above sea level)
Degree of protection	IP20

Interfaces

Designation	Axioline F local bus (Note: not suitable for use in the Axioline F local bus of the Phoenix Contact AXC 3050 controller)
No. of channels	1
Connection method	Bus base module

Digital inputs

Input name	Digital inputs
Description of the input	IEC 61131-2 type 3
Connection method	Push-in connection
Connection technology	2, 3, 4-wire
Number of inputs	4 (with two-channel assignment) 8 (for single-channel assignment)
Input filter time	1.5 ms
Input characteristic curve	IEC 61131-2 type 3
Input voltage	24 V DC (via clock outputs T1 and T2 or external supply)
Input voltage range	-3 V DC ... 30.2 V DC
Nominal input current at U_{IN}	typ. 4.2 mA
Typical input current per channel	4.2 mA

General

Mounting type	DIN rail
Net weight	347.6 g
Note on weight specifications	with connectors and bus base module

Axioline potentials

Designation	Axioline F local bus supply (U_{BUS})
Supply voltage	5 V DC (via bus base module)

Safety module - AXL F SSDI8/4 1F - 2702263

Technical data

Axioline potentials

Current consumption	typ. 280 mA (all inputs set; power supply by U _I of 19.2 V DC to 30.2 V DC)
	max. 310 mA
Designation	Supply for digital input modules (U _I)
Supply voltage	24 V DC
Supply voltage range	19.2 V DC ... 30.2 V DC (including all tolerances, including ripple)
Current consumption	typ. 9 mA (all inputs set; power supply by U _I with 30.2 V DC; without power supply to the sensors via clock supplies T1 and T2)
Type of protection	Protection against polarity reversal, EMC protective circuit, undervoltage detection

Safety-related characteristic data

Designation	IEC 61508 - High demand
Safety Integrity Level (SIL)	max. 3 (two channel; dependent in parameterization and wiring)
Designation	IEC 61508 - Low demand
Safety Integrity Level (SIL)	max. 3 (two channel; dependent in parameterization and wiring)
Designation	EN ISO 13849
Performance level (PL)	max. e (two channel; dependent in parameterization and wiring)
Category	max. 4 (two channel; dependent in parameterization and wiring)
Designation	EN 62061
Safety Integrity Level Claim Limit (SIL CL)	max. 3 (two channel; dependent in parameterization and wiring)

Standards and Regulations

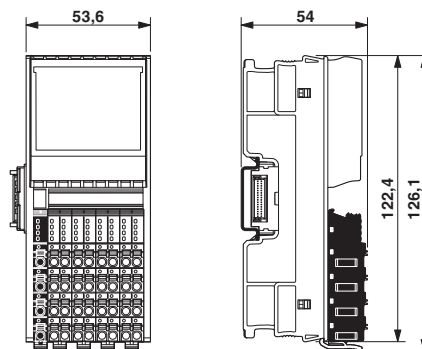
Protection class	III, IEC 61140, EN 61140, VDE 0140-1
------------------	--------------------------------------

Environmental Product Compliance

China RoHS	Environmentally friendly use period: unlimited = EFUP-e
	No hazardous substances above threshold values

Drawings

Dimensional drawing



Safety module - AXL F SSDI8/4 1F - 2702263

Classifications

eCl@ss

eCl@ss 5.1	27242604
eCl@ss 8.0	27242604
eCl@ss 9.0	27242604

ETIM

ETIM 5.0	EC001599
ETIM 6.0	EC001599

UNSPSC

UNSPSC 13.2	32151602
-------------	----------

Approvals

Approvals

Approvals

UL Listed / cUL Listed / Functional Safety / Functional Safety / cULus Listed

Ex Approvals

Approval details

UL Listed		http://database.ul.com/cgi-bin/XYV/template/LISEXT/1FRAME/index.htm	FILE E 238705
-----------	--	---	---------------

cUL Listed		http://database.ul.com/cgi-bin/XYV/template/LISEXT/1FRAME/index.htm	FILE E 238705
------------	--	---	---------------

Functional Safety		968/EZ 424.05/17
-------------------	--	------------------

Functional Safety		968/EZ 424.05/17
-------------------	--	------------------

Safety module - AXL F SSDI8/4 1F - 2702263

Approvals

cULus Listed



Accessories

Accessories

Device marking

Insert label - EMT (35X28)R - 0801602



Insert label, Roll, white, unlabeled, can be labeled with: THERMOMARK ROLL, THERMOMARK ROLL X1, THERMOMARK ROLLMASTER 300/600, THERMOMARK X1.2, THERMOMARK S1.1, mounting type: snapped into marker carrier, lettering field size: 35 x 28 mm

DIN rail connector

Bus connector - AXL F BS F - 2688129



Axioline F bus base module for housing type F

Terminal marking

Zack marker strip - ZB 20,3 AXL UNPRINTED - 0829579



Zack marker strip for Axioline F (device labeling), in 2 x 20.3 mm pitch, unprinted, 25-section, for individual labeling with B-STIFT 0.8, X-PEN, or CMS-P1-PLOTTER

Zack Marker strip, flat - ZBF 10/5,8 AXL UNPRINTED - 0829580



Zack marker strip, flat, in 10 mm pitch, unprinted, 10-section, for individual labeling with M-PEN 0,8, X-PEN, or CMS-P1-PLOTTER

