

MICROSWITCH
a Honeywell Division

FED. MFG. CODE 91929

SWITCH - TOGGLE

CATALOG LISTING

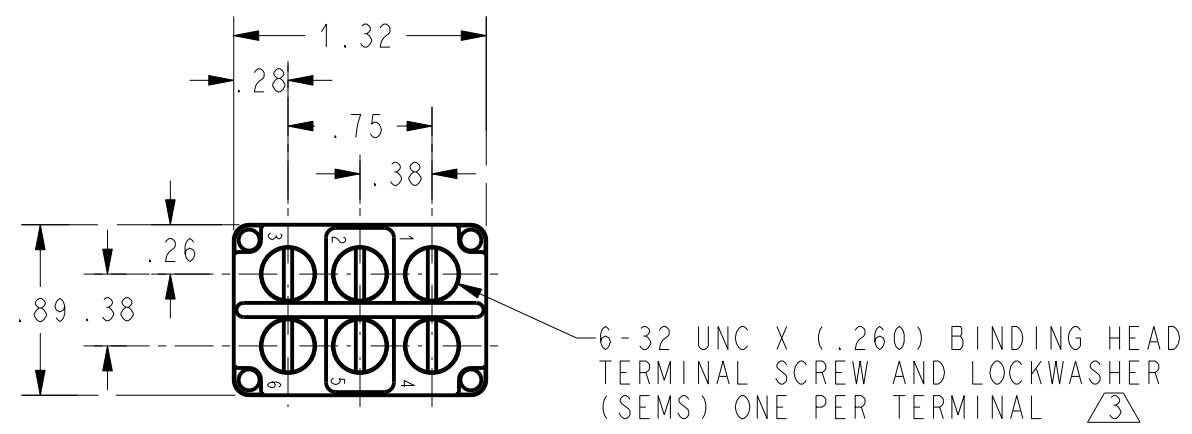
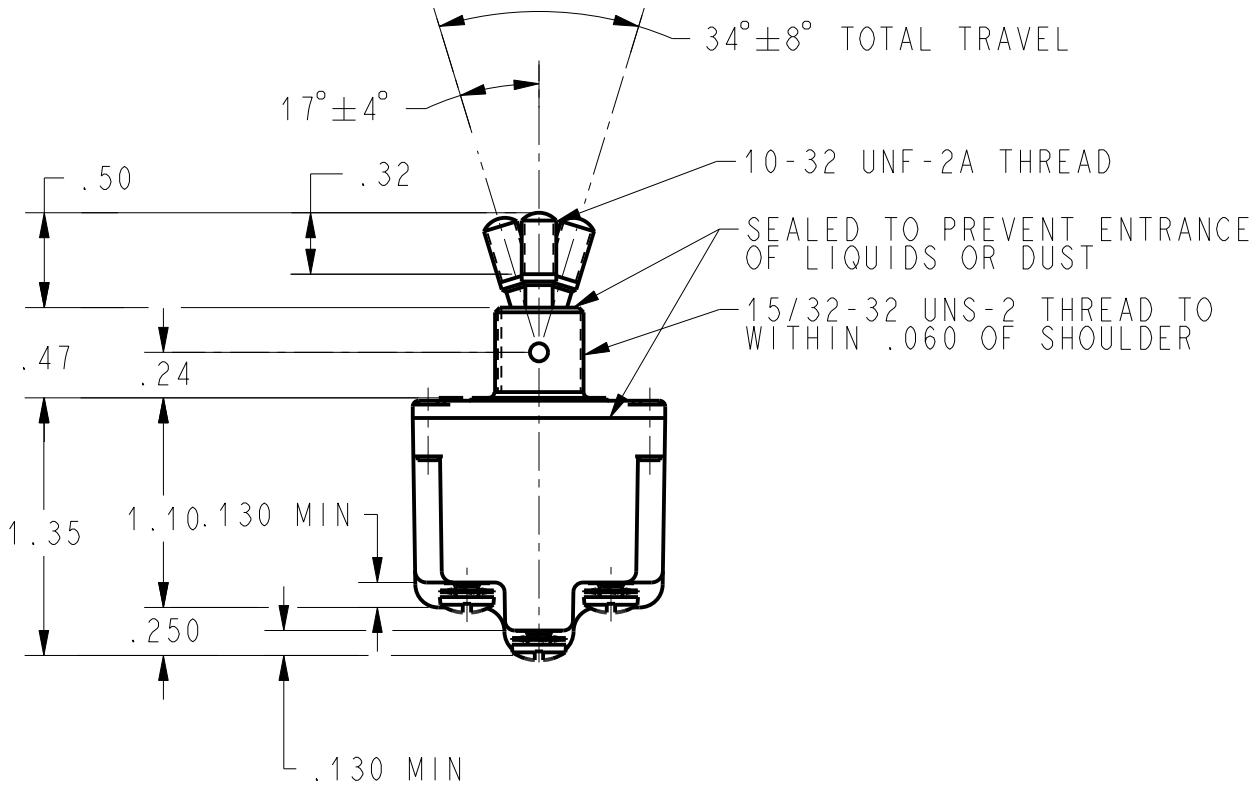
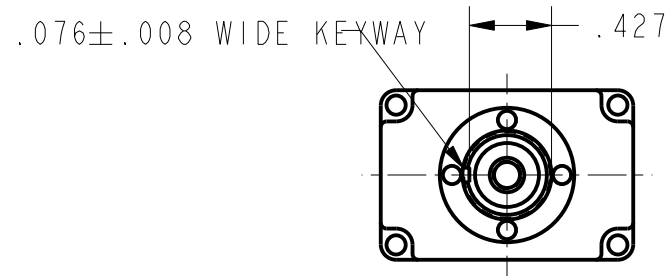
2TL124-10

THIS DRAWING COVERS A PROPRIETARY ITEM AND IS THE PROPERTY OF MICRO SWITCH. A DIVISION OF HONEYWELL. THIS DRAWING IS NOT TO BE COPIED OR USED WITHOUT THE APPROVAL OF MICRO SWITCH

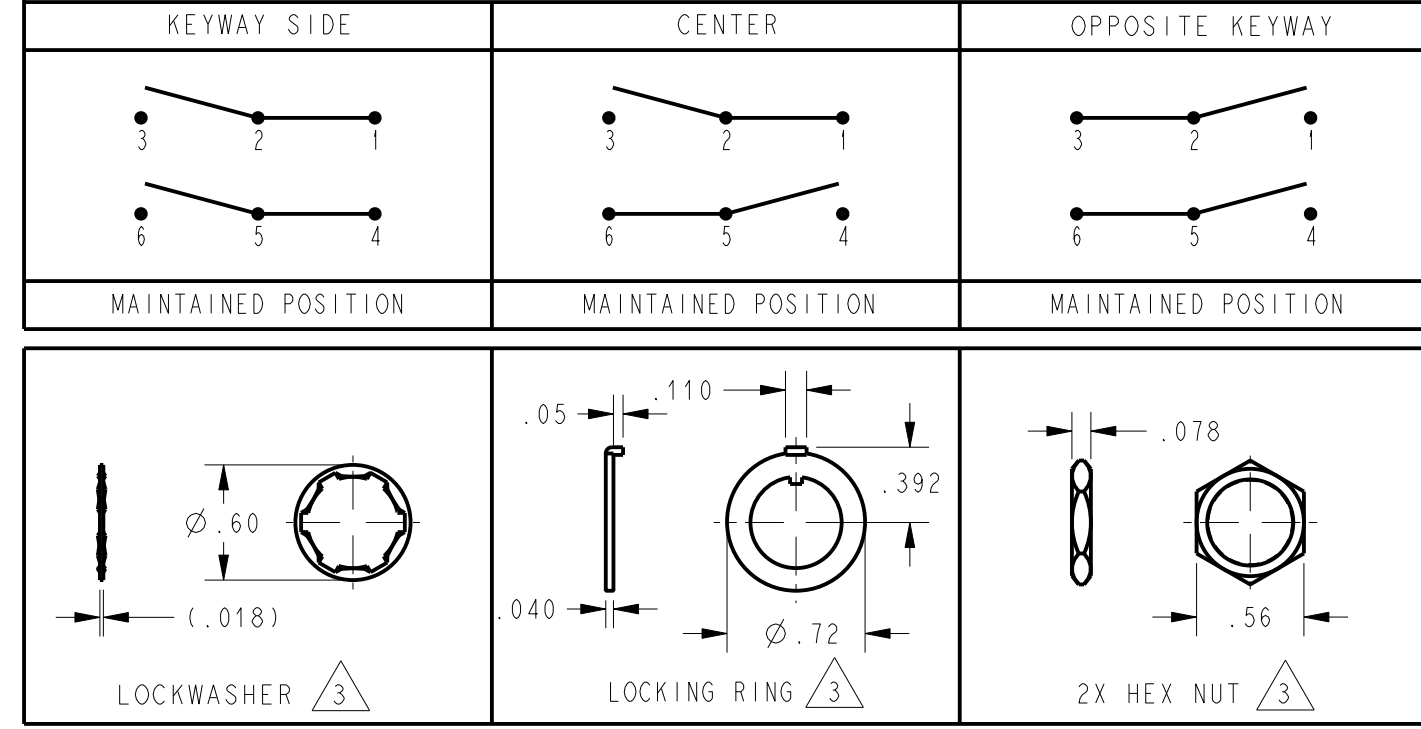
CURRENT CAPACITY (AMPS)

RESISTIVE LOAD		LAMP LOAD			INDUCTIVE LOAD	
DC VOLTS	AC VOLTS	28 VDC	125 VAC	28 VDC	125 VAC	
28	125	250	125	250	6	
20	.75	.5	15	6	7	
				4	15	
					15	

PTC/CAD 2D
 DRAWN
 C S L 28 OCT 03
 CHECK
 SAV
 MDM 10 FEB 04
 CHECK
 VPA 10 FEB 04
 REVISIONS
 A 0003291
 ISSUE
 A
 M
 CATALOG LISTING
 2TL124-10
 PAGE 1 OF 1
 RELEASE NO. JOB-69061
 REPLACES -



CIRCUIT MADE WITH TOGGLE LEVER IN



- NOTES
- SWITCHES ARE CAPABLE OF WITHSTANDING A TEMPERATURE OF 160°F CONTINUOUSLY AT FULL RATED LOAD
 - CIRCUIT DESIGNATION AND MICRO SWITCH CATALOG LISTING MARKED ON SIDE OF SWITCH
 - FURNISHED UNASSEMBLED
 - FOR TERMINAL COVER SEE MICRO SWITCH CATALOG LISTING 5PA8

ANSI Y14.5M-1982 APPLIES

ELECTRICAL RATING	
L191	15A 125, 250, 277 VAC
	1/2HP 125 VAC
	1HP 250, 277 VAC
	5A 125 VAC "L"



THIRD ANGLE PROJECTION	
SCALE	FULL
DO NOT SCALE PRINT	
UNLESS OTHERWISE SPECIFIED TOLERANCES ARE	
ONE PLACE	(.0) ±.030
TWO PLACE	(.00) ±.015
THREE PLACE	(.000) ±.005
ANGLES	±
WEIGHT	